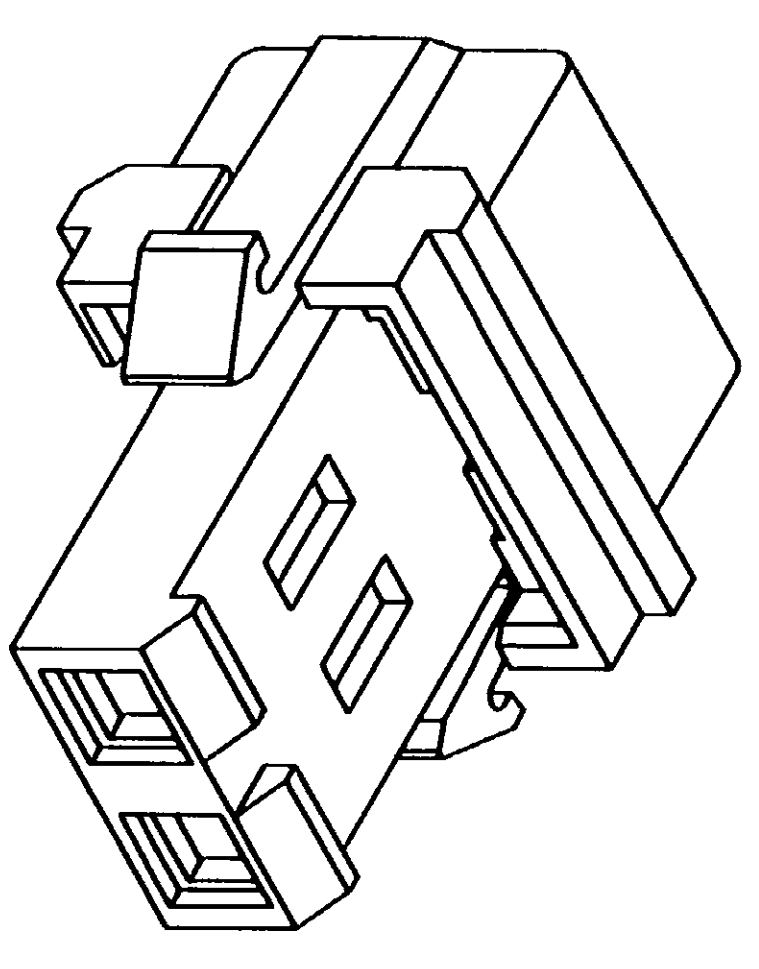


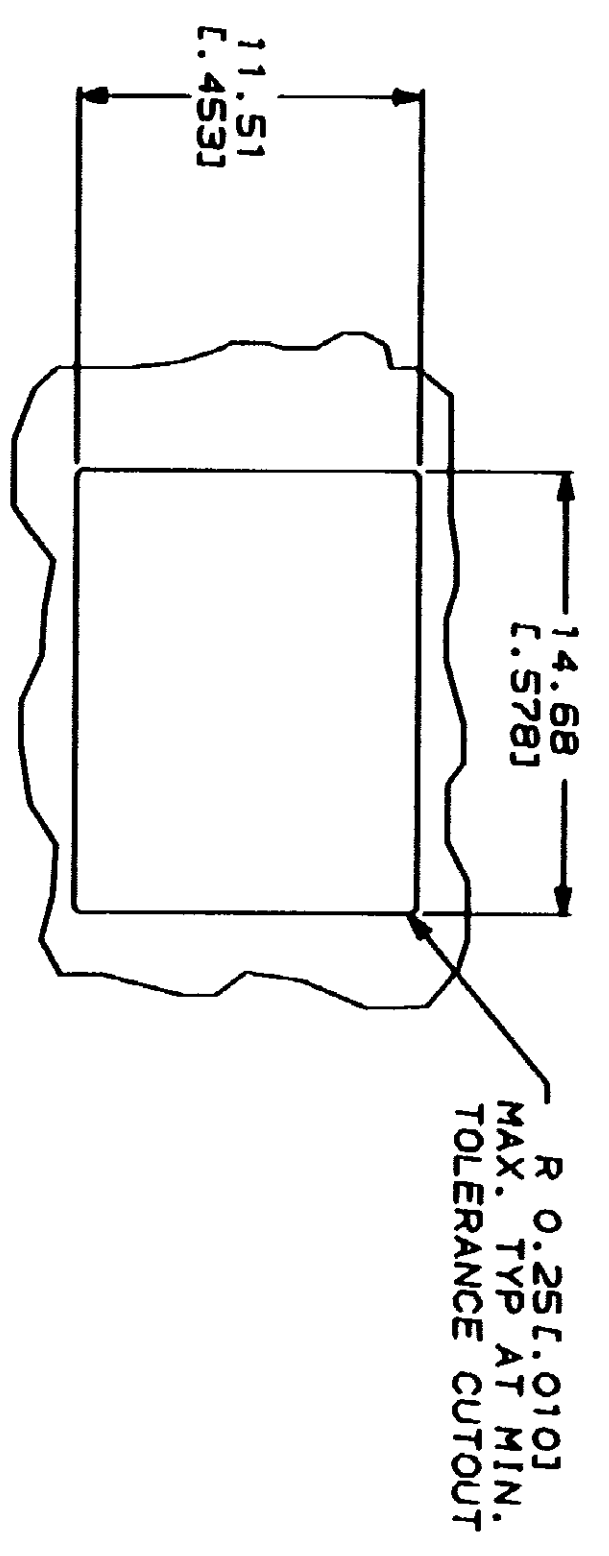
DRAWING MADE IN THIS MANUFACTURE SECTION
 THIS DRAWING IS UNCLASSIFIED
 BY AMP INFORMATION. ALL INTERNATIONAL RIGHTS RESERVED.

REV	DATE	BY	APP
5	06/04/94	CH	AM
6	07/30/94	CH	AM

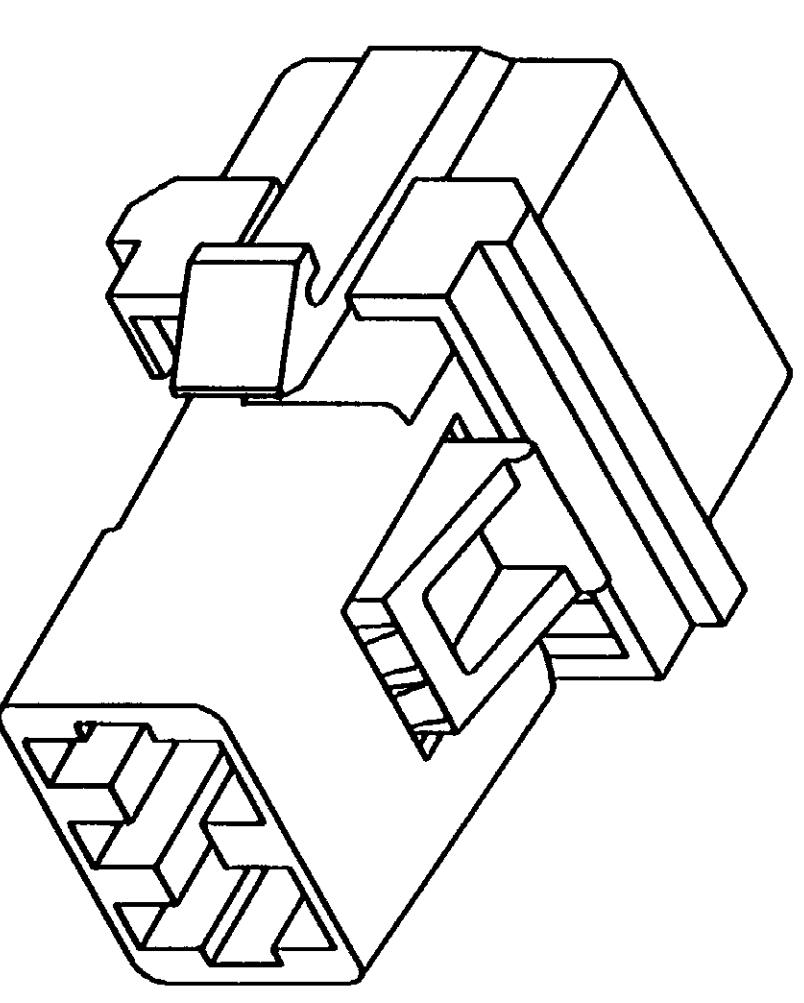
1. DIMENSIONS IN BRACKETS ARE IN INCHES.



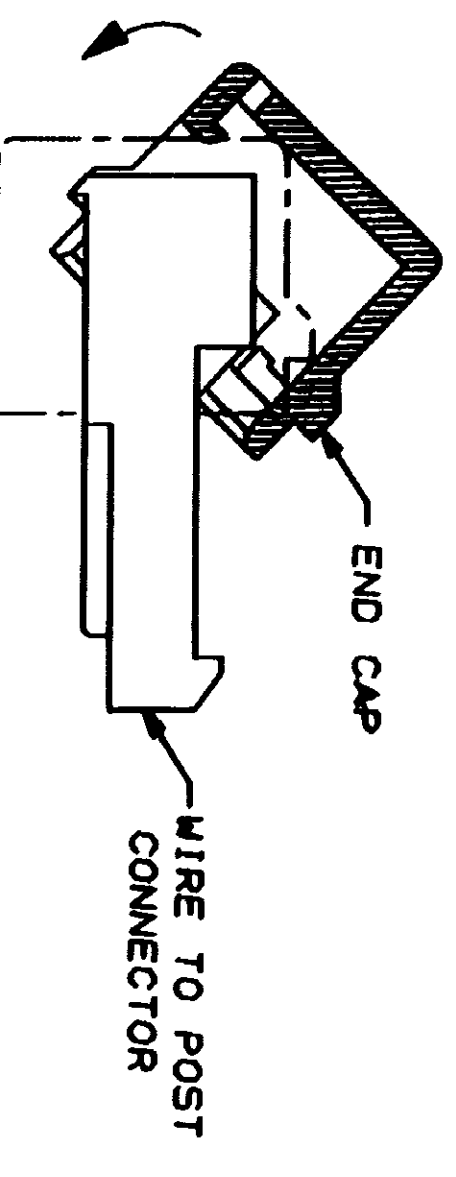
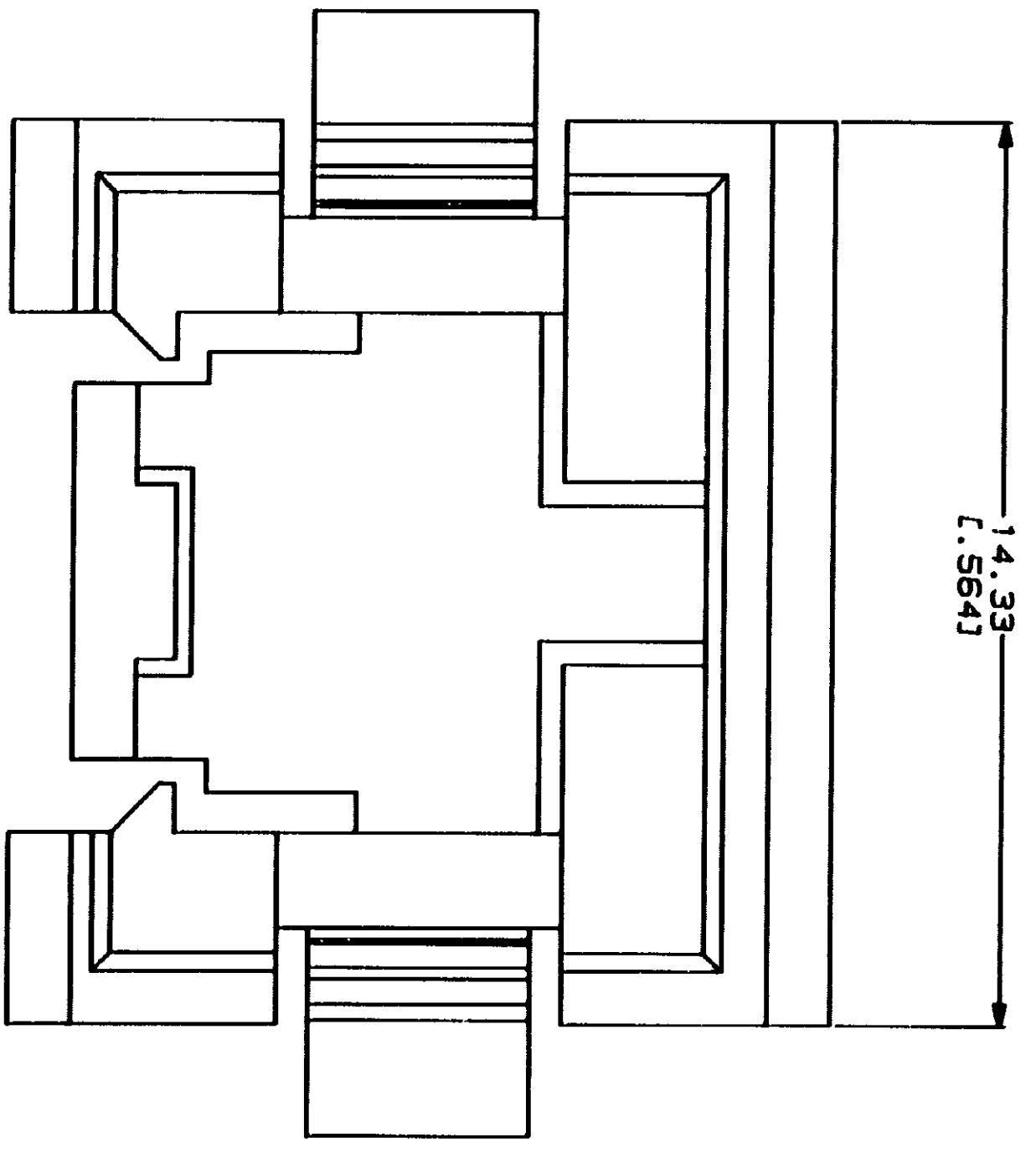
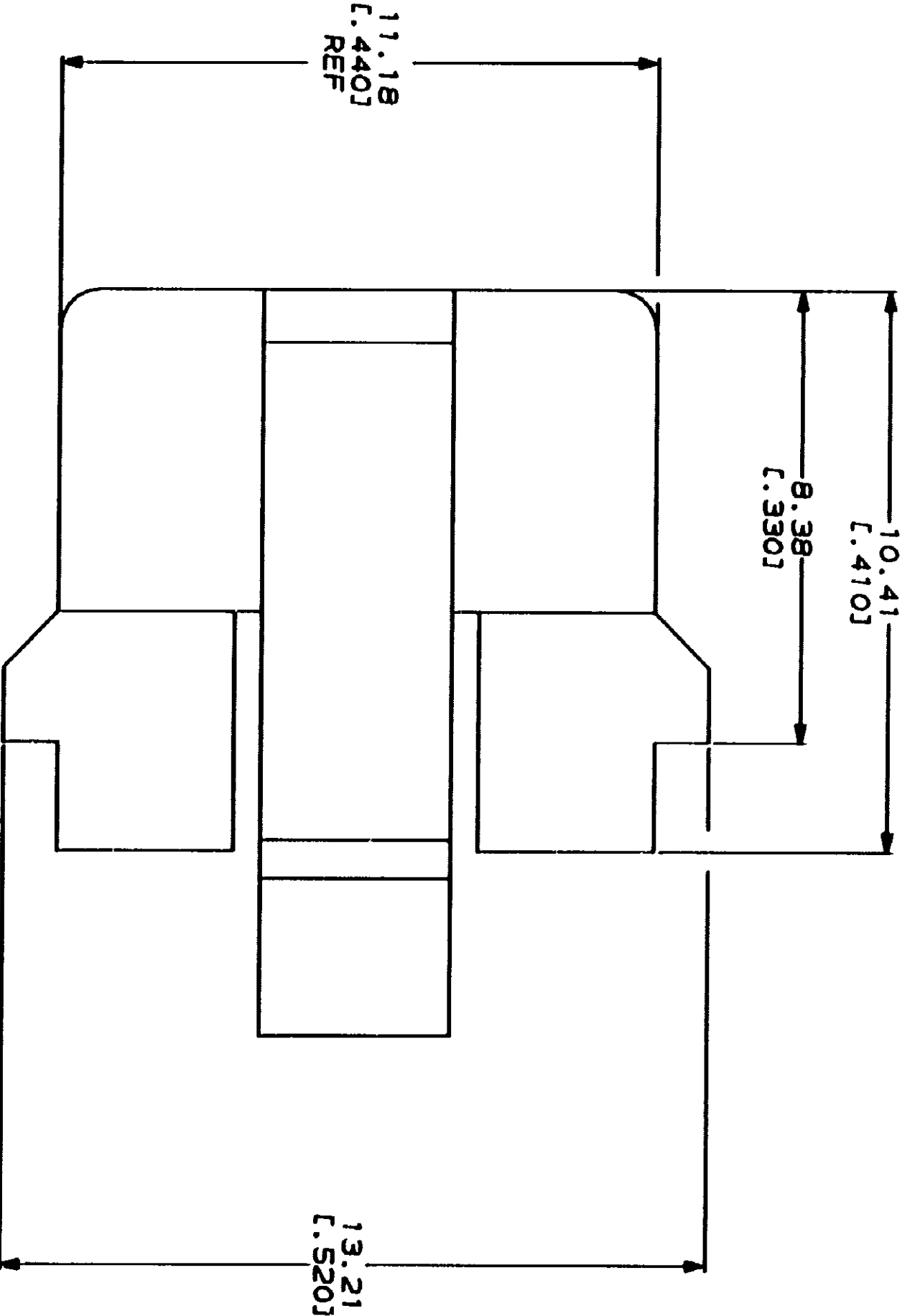
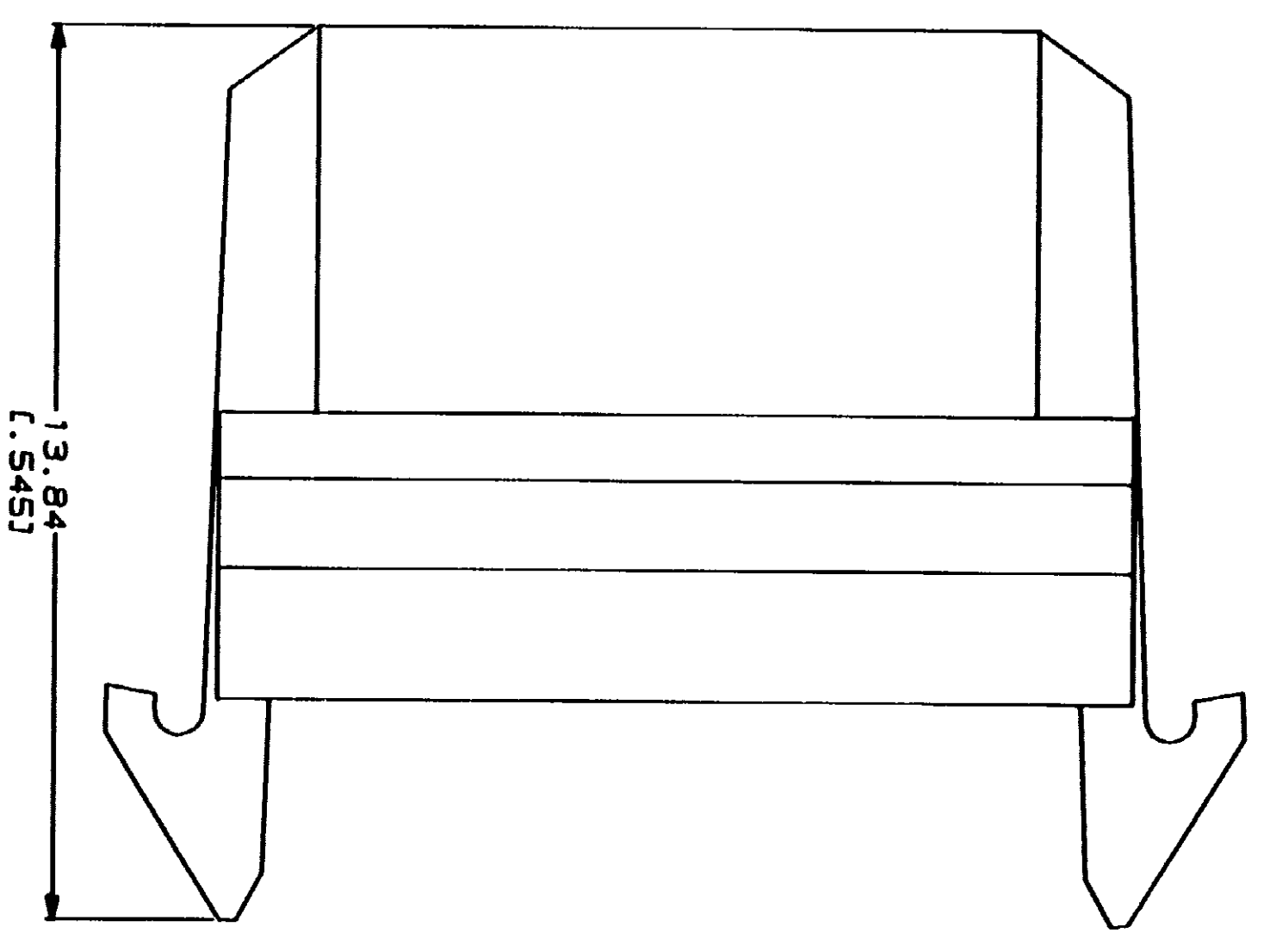
MTA 156 WIRE TO POST CONNECTOR WITH END CAP INSTALLED
 (RECOMMENDED APPLICATION)



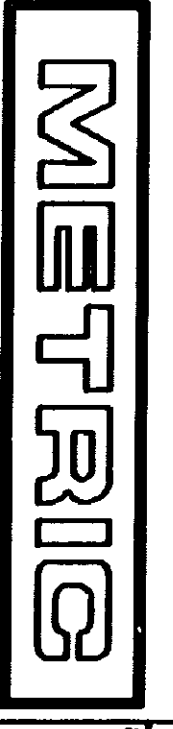
PANEL THICKNESS = 1.57 (L.062)
 RECOMMENDED PANEL CUTOUT



MTA 156 POSTED CONNECTOR WITH END CAP INSTALLED
 (ALTERNATE APPLICATION)



END CAP INSTALLATION METHOD



DO NOT SCALE PRINT. DIMENSIONS SPECIFIED IN INCHES TOLERANCES IN INCHES		OR 9-12-83 DR 9-12-83 CHK R. SH/MS	VALUE
± .015 (DEC 2)	± .015 (DEC 3)	DATE	END CAP, PANEL MOUNTING, 2 POSITION, POSTED CONNECTOR, MTA-156
MATERIAL		PRODUCT SPEC	SIZE
NYLON, 94V-2 RATED, BLACK		APPLICATION SPEC	00779
FINISH		SCALE	10:1
-		WEIGHT	641533
PART NO		DRAWING NO	
641533-1		641533	
AMP Incorporated Horseshoe, PA 17105-3608		SHEET	
		1 OF 1	

CUSTOMER DRAWING