

0413-216-2005 ✓ ACTIVE

DEUTSCH | DEUTSCH HD, DEUTSCH HD30

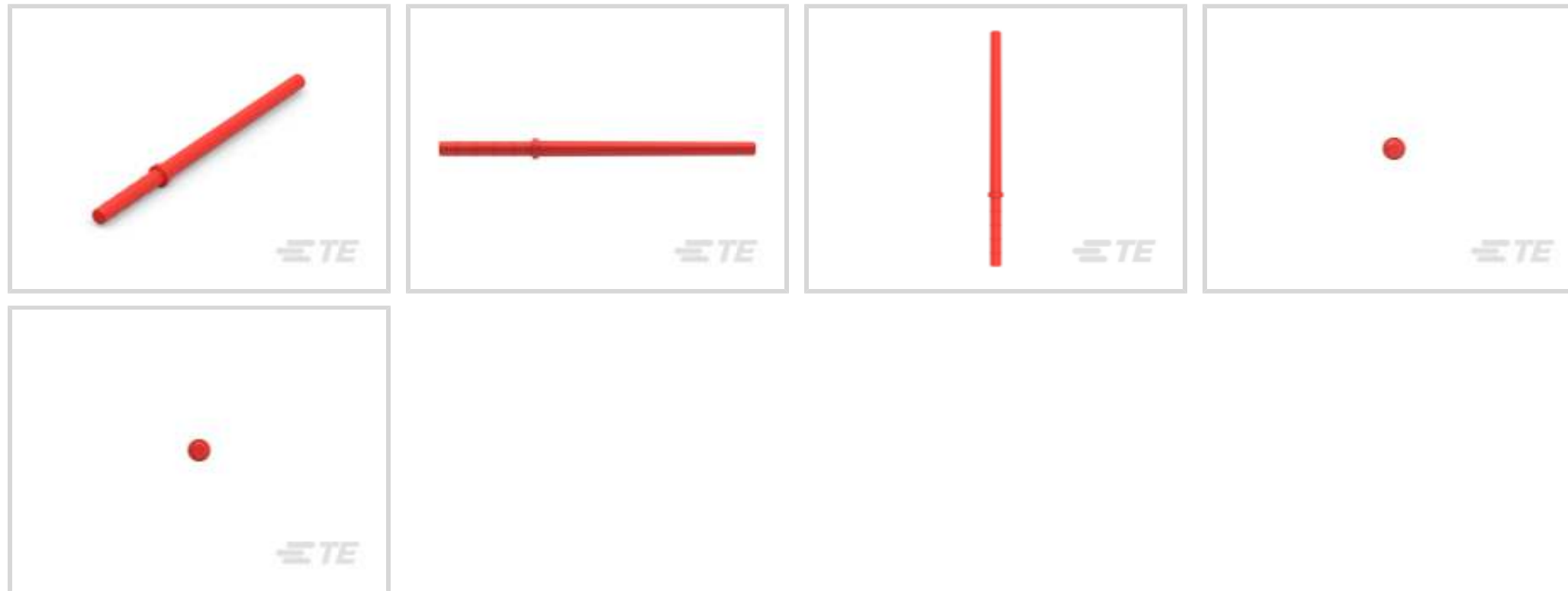
TE Internal #: 0413-216-2005

Automotive Seals & Cavity Plugs, Keying Plug, PBT, Good, Red, -67
– 257 °F [-55 – 125 °C]

[View on TE.com >](#)



Connectors > Automotive Connectors > Automotive Seals & Cavity Plugs > DEUTSCH Sealing Plugs



Connector Seal & Plug Type: **Keying Plug**

Primary Product Material: **PBT**

Resistance to Hydrocarbons: **Good**

Operating Temperature (Max): **125 °C [257 °F]**

Contains Lubricant: **No**

[All DEUTSCH Sealing Plugs \(10\)](#)

Features

Product Type Features

Connector Seal & Plug Type	Keying Plug
----------------------------	-------------

Body Features

Primary Product Material	PBT
--------------------------	-----

Primary Product Color	Red
-----------------------	-----

Usage Conditions

Operating Temperature (Max)	125 °C[257 °F]
-----------------------------	----------------

Operating Temperature Range	-55 – 125 °C[-67 – 257 °F]
-----------------------------	----------------------------

Industry Standards

UL Flammability Rating	UL 94V-0
------------------------	----------

Packaging Features

Packaging Method	Box
------------------	-----

Other



Resistance to Hydrocarbons	Good
Contains Lubricant	No

Product Compliance

[For compliance documentation, visit the product page on TE.com>](#)

EU RoHS Directive 2011/65/EU	Compliant
EU ELV Directive 2000/53/EC	Compliant
China RoHS 2 Directive MIIT Order No 32, 2016	No Restricted Materials Above Threshold
EU REACH Regulation (EC) No. 1907/2006	Current ECHA Candidate List: JUNE 2023 (235) Candidate List Declared Against: JAN 2023 (233) Does not contain REACH SVHC
Halogen Content	Not Low Halogen - contains Br or Cl > 900 ppm.
Solder Process Capability	Not reviewed for solder process capability

Product Compliance Disclaimer

This information is provided based on reasonable inquiry of our suppliers and represents our current actual knowledge based on the information they provided. This information is subject to change. The part numbers that TE has identified as EU RoHS compliant have a maximum concentration of 0.1% by weight in homogenous materials for lead, hexavalent chromium, mercury, PBB, PBDE, DBP, BBP, DEHP, DIBP, and 0.01% for cadmium, or qualify for an exemption to these limits as defined in the Annexes of Directive 2011/65/EU (RoHS2). Finished electrical and electronic equipment products will be CE marked as required by Directive 2011/65/EU. Components may not be CE marked. Additionally, the part numbers that TE has identified as EU ELV compliant have a maximum concentration of 0.1% by weight in homogenous materials for lead, hexavalent chromium, and mercury, and 0.01% for cadmium, or qualify for an exemption to these limits as defined in the Annexes of Directive 2000/53/EC (ELV). Regarding the REACH Regulation, the information TE provides on SVHC in articles for this part number is based on the latest European Chemicals Agency (ECHA) 'Guidance on requirements for substances in articles' posted at this URL: <https://echa.europa.eu/guidance-documents/guidance-on-reach>

Compatible Parts



TE Part # CAT-H396-CH8172
DEUTSCH HDP20 Housings



TE Part # CAT-H3930-CH8172
DEUTSCH HD30 Housings



TE Part # CAT-D781-CH8172
DEUTSCH DRB Housings



TE Part # CAT-D485-CH8172
DEUTSCH DTM Housings




TE Part # CAT-D799-CH8172
DEUTSCH DRC Housings



TE Part # CAT-ST858-CH8172
DEUTSCH Strike Housings



TE Part # DTM04-12PA-EE04
REC, 12P, BLK, N, HIGH TEMP, A



TE Part # DTM04-08PC
REC, 8P, GRN, N, C



TE Part # DTMH06-4SA
PLG, 4P, BLK, N, HI TEMP, A



TE Part # DRC26-24SB
PLG, 24P, BLK, N, B



TE Part # DRCP28-86SB
PLG, 86P, BLK, 12/20, B



TE Part # DRCP28-86SC
PLG, 86P, BLK, 12/20, C



TE Part # DTM04-3P-R011
REC, 3P, BLK, 90DEG, PANEL



TE Part # DTMH06-2SD
PLG, 2P, BLK, N, HI TEMP, D



TE Part # DTMH06-4SB
PLG, 4P, BLK, N, HI TEMP, B



TE Part # DRCP28-86SA
PLG, 86P, BLK, 12/20, A



TE Part # DRC26-50S06
PLG, 50P, BLK, N, 06



TE Part # DRC26-50S09
PLG, 50P, BLK, N, 09




TE Part # DRC26-60S01
PLG, 60P, BLK, N, 01




TE Part # DRC26-60S04
PLG, 60P, BLK, N, 04

Also in the Series | **DEUTSCH HD**




Automotive Connector Caps & Covers
(65)



Automotive Housings(741)



Automotive Seals & Cavity Plugs(10)



Insertion & Extraction Tools(11)



Other Automotive Connector Accessories(11)



PCB Headers & Receptacles(1)

Also in the Series | **DEUTSCH HD30**



Automotive Connector Caps & Covers (20)



Automotive Housings(358)



Automotive Seals & Cavity Plugs(11)



Insertion & Extraction Tools(10)



Other Automotive Connector Accessories(6)

Customers Also Bought



TE Part #SRK06-MDC-32A-001
DEUTSCH Strike Housings



TE Part #0413-003-1605
SEALING PLUG, SIZE 16, BLU



TE Part #HD34-18-20PN-059
REC,20P,AL,N,CBLCLMP BT,DRAIN,16 /20,P,MC



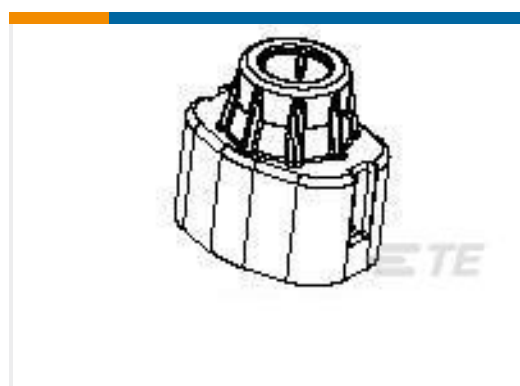
TE Part #HDC16-6-JDL
DUST CAP, 6P, REC, GRY, LANYARD, HD10



TE Part #726345-1
SO RINGZUNGE D46234



TE Part #2822362-4
070 EJ MK-2 SENSOR PLUG 2P DARK GREEN



TE Part #1587722-1
CABLE SEAL RETAINER, SIZE A, HVA280-3PM



TE Part #1-1437713-2
106100=GROMMET RED



Documents

Product Drawings

SEALING PLUG, SIZE 20, KEYING, RED

English

CAD Files

3D PDF

3D

Customer View Model

[ENG_CVM_CVM_0413-216-2005_A.2d_dxf.zip](#)

English

Customer View Model

[ENG_CVM_CVM_0413-216-2005_A.3d_igs.zip](#)

English

Customer View Model

[ENG_CVM_CVM_0413-216-2005_A.3d_stp.zip](#)

English

By downloading the CAD file I accept and agree to the [Terms and Conditions](#) of use.

Datasheets & Catalog Pages

CONNECTOR SELECTOR

English

Product Specifications

Application Specification

English

Application Specification

English

Application Specification

English

Instruction Sheets

Instruction Sheet (U.S.)

English