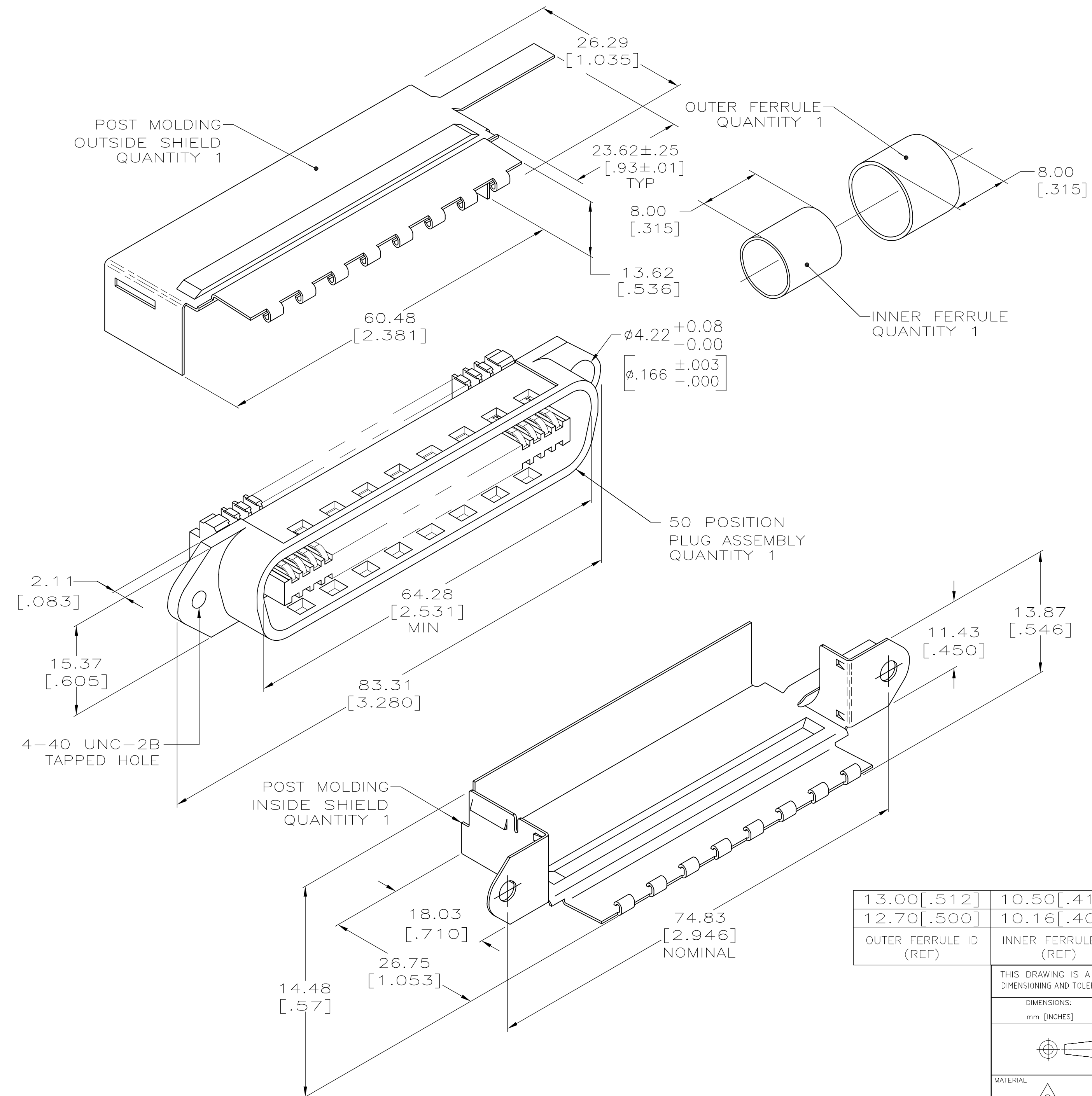


THIS DRAWING IS UNPUBLISHED. RELEASED FOR PUBLICATION
 © COPYRIGHT - By - ALL RIGHTS RESERVED.

LOC		DIST		REVISIONS			
P	LTR	DESCRIPTION		DATE	DWN	APVD	
GP	00	D1	REVISED PER ECO-12-017315	03OCT2012	CJV	PAR	



- THIS KIT SHIPPED NOT ASSEMBLED.
- MATERIAL/FINISH**
 PLUG HOUSING: POLYPHENYLENE OXIDE, BLACK.
 TERMINALS: HIGH STRENGTH COPPER ALLOY PLATED WITH EITHER 0.76µm [.000030] MINIMUM GOLD OR GOLD FLASH OVER PALLADIUM NICKEL PLATE, 0.76µm [.000030] MIN TOTAL ON MATING SURFACE. 1.27µm [.000050] MINIMUM NICKEL UNDERPLATE OVER ENTIRE TERMINAL.
 SHIELDS: BRIGHT NICKEL PLATED CARBON STEEL.
 FERRULES: BRASS.
- WIRE SIZE: 24 OR 26 AWG SOLID OR 24 AWG 7 STRANDS COPPER CONDUCTORS. MAXIMUM INSULATION DIAMETER OF 1.14[.045] IS ACCEPTABLE FOR MOST APPLICATIONS.
- CENTER-TO-CENTER SPACING OF TERMINALS IS 2.16 [.085] NOMINAL.
- BULK PACKAGED 500 KITS PER CONTAINER.
- DIMENSIONS ARE MAXIMUM UNLESS OTHERWISE SPECIFIED.

13.00 [.512]	10.50 [.413]	BLACK	B	3	5	1888591-2
12.70 [.500]	10.16 [.400]	BLACK	B	3	5	1888591-1
OUTER FERRULE ID (REF)	INNER FERRULE ID (REF)	HOUSING COLOR	SLOT	WIRE SIZE	PACKAGED	PART NUMBER

THIS DRAWING IS A CONTROLLED DOCUMENT. DIMENSIONING AND TOLERANCING PER ASME Y14.5M-2009

DWN B. MCMASTER 09AUG06
 CHK W. MILLHIMES 09AUG06
 APVD W. MILLHIMES 09AUG06

TE Connectivity

PLUG KIT, 50 POSITION, POST MOLDING, SHIELDED, 90 DEGREE, SCREW LOCK, CHAMP

SIZE A2 CAGE CODE 00779 C=1888591 RESTRICTED TO

CUSTOMER DRAWING SCALE 2:1 SHEET 1 of 1 REV D1

DIMENSIONS:	TOLERANCES UNLESS OTHERWISE SPECIFIED:
mm [INCHES]	
0 PLC	± -
1 PLC	± -
2 PLC	± -
3 PLC	± -
4 PLC	± -
ANGLES	± -