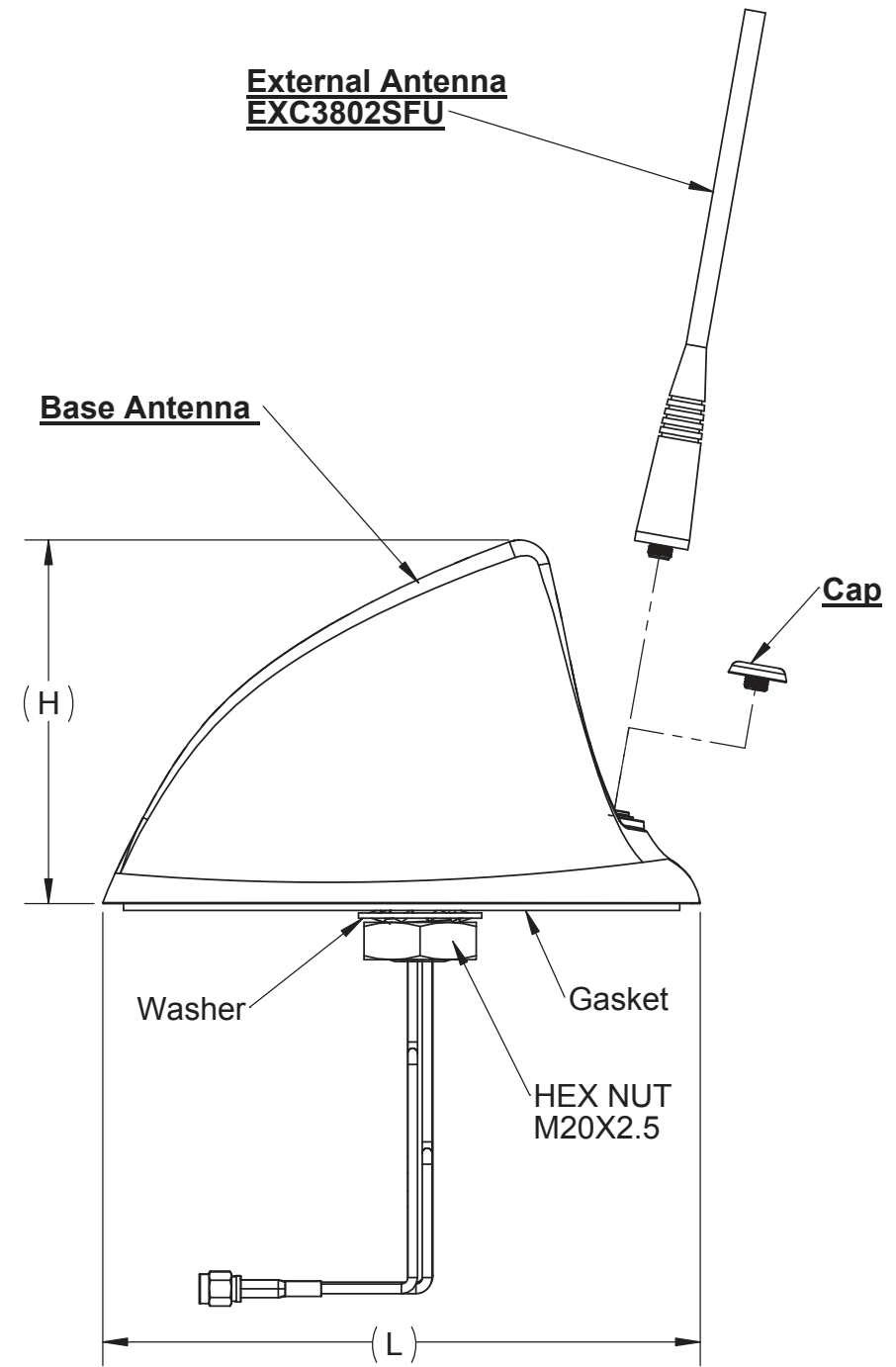


Model	Phantom Fin 4-Ports LTE/WIFI/UHF-1/GPS (FHQ69273CD-518VC6)		
Antenna	LTE/EDVO	WIFI	UHF-1 (External Antenna)
Frequency	698-960; 1710-2700 MHz	2400-2500; 4900-5875 MHz	380-430 MHz
Gain	3.5 dBi (typical), 4.0 dBi (max) @ 698-806 MHz	6.6 dBi (typical), 7.1 dBi (max) @ 2400-2500 MHz	2.0 dBi (typical), 2.6 dBi (max) @ 380-430 MHz
	3.1 dBi (typical), 3.4 dBi (max) @ 824-894 MHz	6.2 dBi (typical), 7.8 dBi (max) @ 4900-5875 MHz	
	3.3 dBi (typical), 3.4 dBi (max) @ 880-960 MHz		
	5.7 dBi (typical), 6.1 dBi (max) @ 1710-1880 MHz		
	6.0 dBi (typical), 6.3 dBi (max) @ 1850-1990 MHz		
	5.4 dBi (typical), 6.3 dBi (max) @ 1910-2170 MHz		
	4.8 dBi (typical), 5.1 dBi (max) @ 2300-2500 MHz		
	5.9 dBi (typical), 6.4 dBi (max) @ 2500-2700 MHz		
	(measured on 700mm dia. ground plane with 0.3m. of cable)		
VSWR	2 : 1 @ 698-960 MHz	2 : 1 @ 2400-2500 MHz	2 : 1 @ 380-430MHz
	2 : 1 @ 1710-2700 MHz	2 : 1 @ 4900-5875 MHz	
	(measured on 700mm dia. ground plane with 5.2m. of cable)		
Port to Port Isolation		> 15 dB (UHF-LTE ports);	
		> 20 dB (UHF-WIFI ports);	
		> 20 dB (LTE-WIFI ports);	
Nominal Impedance	50 Ohms		
Polarization	Linear V-pol		
Azimuth Beam Width	Omnidirectional		
Max Gain ±30 above Horizon 5GHz	N/A	4.1 dBi	N/A
Power Input	10 Watts (Max) (ambient temp of 25°C/77°F)		
Operating Temperature	-30°C ~ +70°C		
Storage Temperature	-40°C ~ +85°C		
Cable length, (Cable Type)	5.2m, (Coax Cable LMR-100)		
Connector	SMA-Male	RPSMA-Male	FME Plug
Dimensions, H x L x W	98mm x 160mm x 70mm		
Weight	0.52kg		
Radome	PC/ASA, (Black)		
Base plate material	Aluminum		
Mount Style	Vehicle Mounted		
RoHs	Compliant		
Ingress Rating	IP67		

GPS Antenna	P/N: 145-00028-001
Frequency	1575.42MHz (GPS L1)
Amplifier Gain	27dB ± 3 dBc
Nominal Impedance	50 Ohms
Output VSWR	1.5:1
DC Current	20mA Nominal; < 30mA @ -40°C ~ +85°C
DC Voltage	2.7-12 Vdc
Noise Figure	4 dB max
Cable	Coax Cable RG174
Connector	SMA-Male
Exposed Cable length	5.2m

REVISIONS				
REV.	ECR#	DESCRIPTION	CHANGED BY/DATE	APPROVED BY/DATE
F01	N/A	MO INITIAL RELEASED	TPC 13 JUNE 16	WTN 13 JUNE 16
F02	ECN-IAS-05667	Max Gain ±30 above Horizon 5GHz (dBi) 4.1dBi was 5.58dBi	TPC 21 JULY 16	WTN 21 JULY 16
F03	ECN-IAS-05667	Added Ingress Rating	TPC 19 AUG 16	WTN 19 AUG 16



MATERIAL: N/A		THIRD ANGLE PROJECTION			
FINISH: N/A		DO NOT SCALE DRAWING			
APPROVALS		DATE		TITLE: FHQ69273CD-518VC6	
DRAWN BY	TP CHEE	13 JUNE 16			
ELEC. ENG.	KM LIM	13 JUNE 16			
MECH. ENG.	TP CHEE	13 JUNE 16			
MFG./OPS.				SIZE: A3	
				DWG. NO.: FHQ69273CD-518VC6MO	
				REV: F03	
				SCALE: 1:4 PREVIOUS#	
				SHEET 1 OF 1	

THIS DRAWING IS UNPUBLISHED. RELEASED FOR PUBLICATION - , -
 © Copyright 2022 TE Connectivity Ltd. ALL RIGHTS RESERVED.