



Electrical Specifications

Pass Band: 400-800 MHz

Insertion Loss in Pass Band: 1.0 dB Max

Rejection: >80 dB @ DC-250 MHz

Power Handling: 10 W Max

Mechanical

Connector Type: N (F)

Dimensions: 2.380 x 1.000 x 1.000 Inches

Environmental

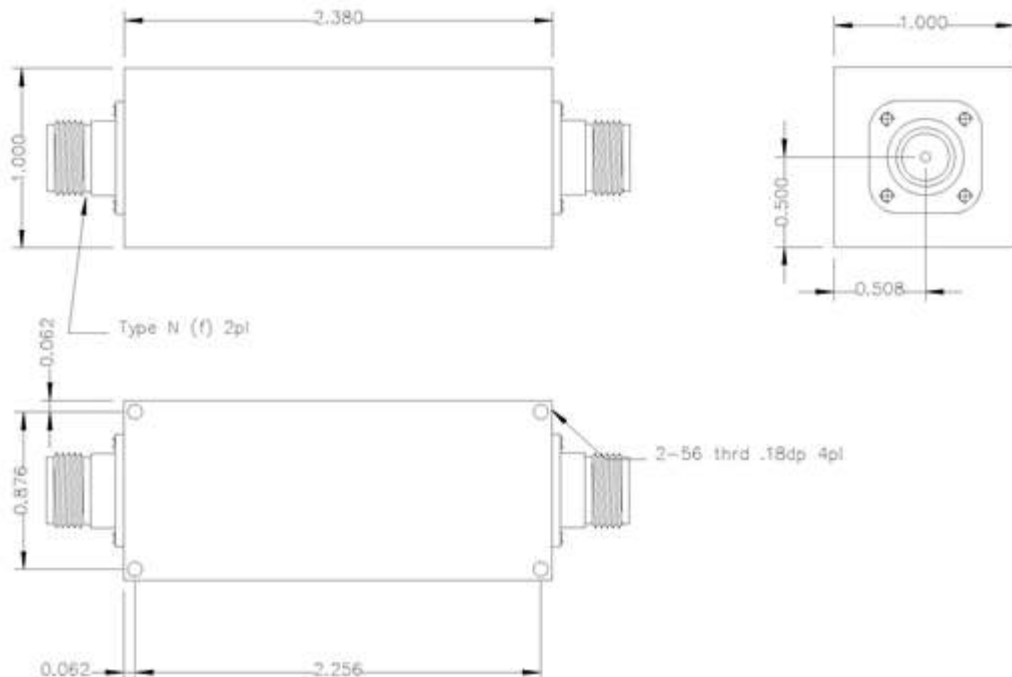
Operating Temperature: -20 to +70° C

Storage Temperature: -40 to +85° C

Shock: 20 G. 11 ms

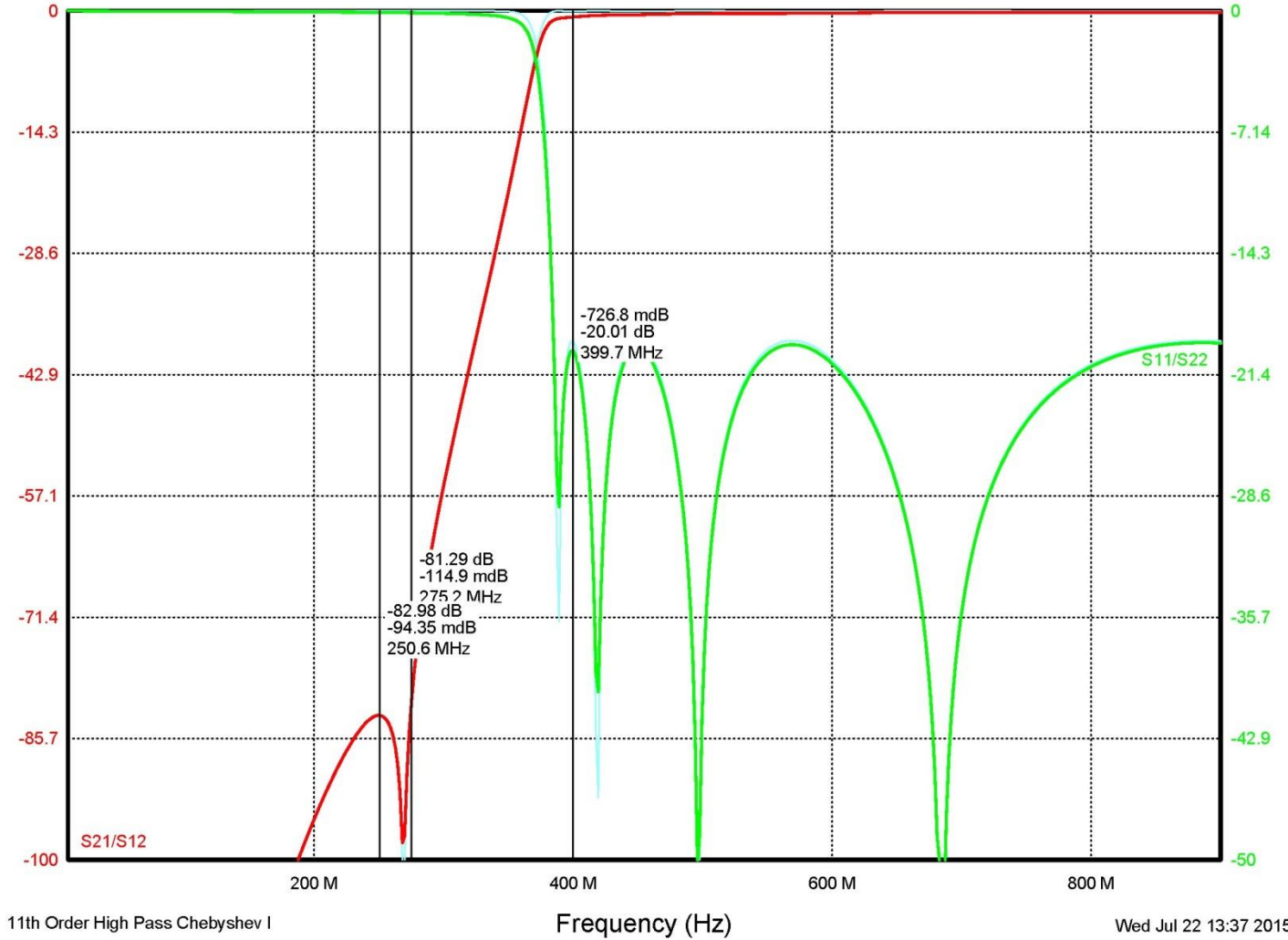
Vibration: 20 G. 5 to 200 MHz

Outline Drawing:





Outline Drawing:



Note: This is a simulation plot. Actual results may differ once the product is implemented.