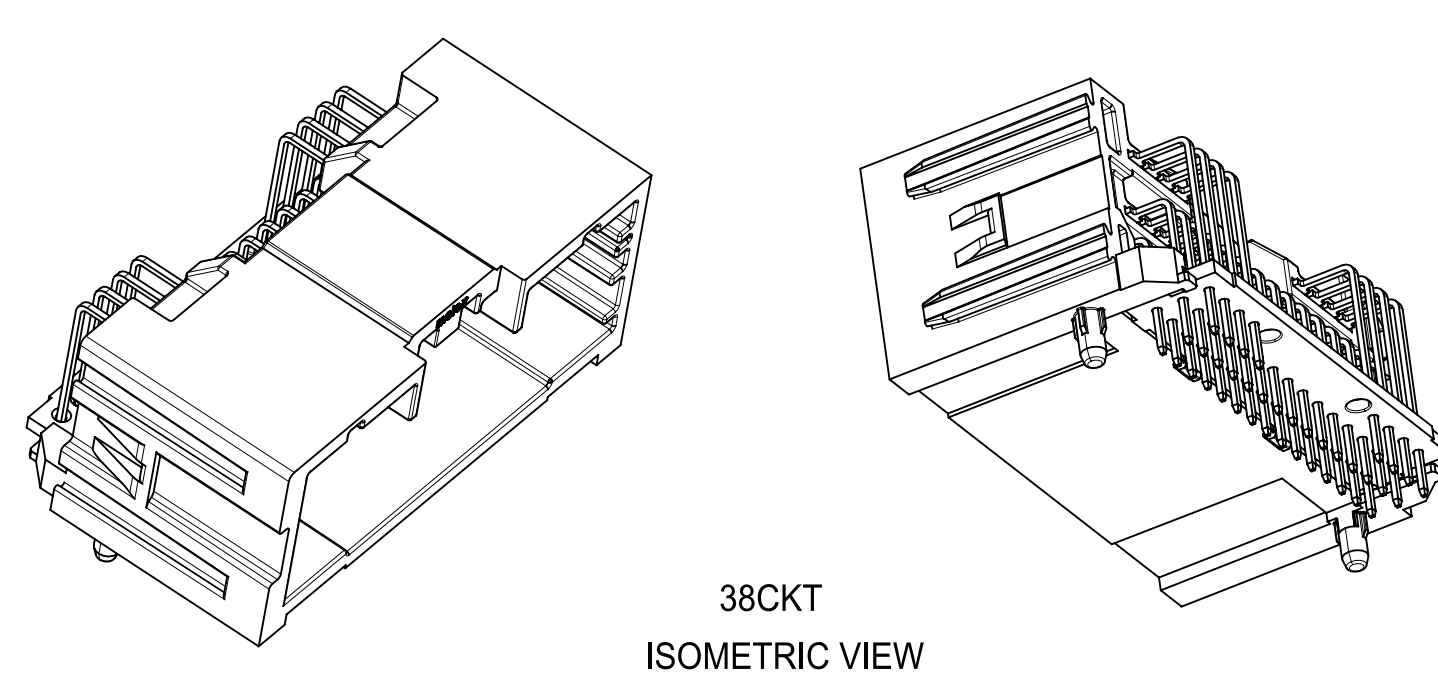
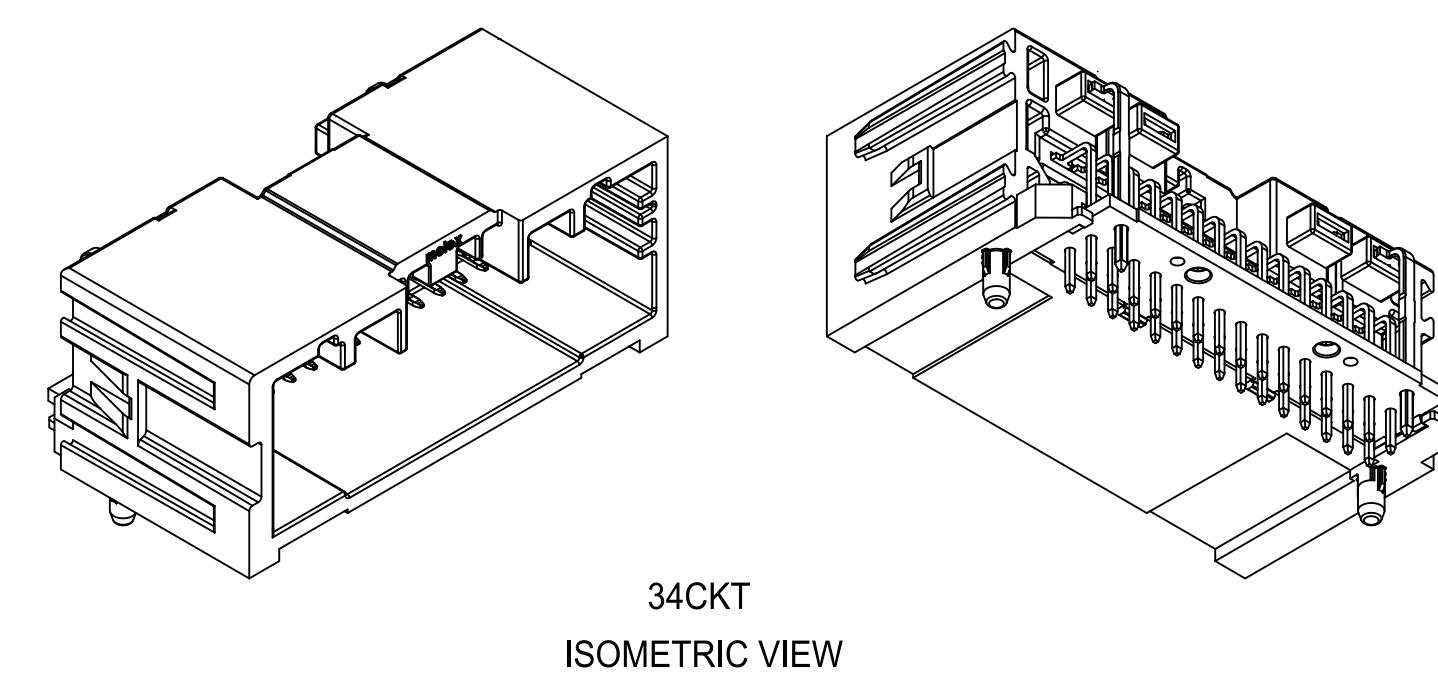


TABLE OF CONTENTS	
SHEET NO.	SHEET DESCRIPTION
1	NOTES,INSPECTION BALLOON NUMBER LOG, REV.COLUMN, ISOMETRIC VIEW, NOMINAL DIMENSION RANGE
2	PIN CONFIGURATION TABLE
3	34&38WAY POLARIZATION OPTION VIEW, HB/V0 VERSION DIFFERENCE
4	PIN INSERTION DIRECTION VIEW PAP HOLE SHAPE VIEW
5	DETAIL DIMENSION VIEW REFERENCE PCB LAYOUT



DIN 16901	CODE LETTER	NOMINAL DIMENSION RANGE													
		OVER UP TO	0	1	3	6	10	15	22	30	40	53	70	90	120
PRECISION ENGINEERING	A	±0.10	±0.12	±0.14	±0.16	±0.20	±0.22	±0.24	±0.26	±0.28	±0.31	±0.35	±0.40	±0.50	
	B	±0.05	±0.06	±0.07	±0.08	±0.10	±0.12	±0.14	±0.16	±0.18	±0.21	±0.25	±0.30	±0.40	

A: FOR NON-MOLD RELATED DIMENSIONS (ACROSS PARTING LINE)  
B: FOR MOLD RELATED DIMENSIONS (WITHIN MOLD COMPONENTS)

INSPECTION BALLOON NUMBER LOG
PER DRAWING REVISION: B
LAST BALLOON NUMBER USED: 8A
ADDED BALLOON NUMBERS:
REMOVED BALLOON NUMBERS:

NOTES: VALID UNLESS OTHERWISE SPECIFIED

1. GENERAL:
- a. CONNECTOR HEADER MUST BE VALIDATED TO THE FOLLOWING FUNCTIONAL REQUIREMENTS:  
HB VALIDATION SPECIFICATION = GMW3191 JUNE 2012  
V0 VALIDATION SPECIFICATION = USCAR-2 REV6  
SOLDERABILITY = SMES-152
  - b. APPLICATION REQUIREMENTS:  
SEE APPLICATION SPECIFICATION = AS-34959-001  
SEE HB PRODUCT SPECIFICATION = PS-34959-001  
SEE V0 PRODUCT SPECIFICATION = 2133550000-PS  
COSMETIC SPECIFICATION: PS-45499-002 Class B  
GEOMETRIC TOLERANCING: SEE DIN 16901 TABLE  
MATES WITH: SD-34959-030  
FULL PIN HEADER SD DRAWING(FOR REFERENCE): SD-34961-030
  - c. PACKAGING SPECIFICATION: SEE PIN CONFIGURATION TABLE
2. DESIGN MATERIALS:
- a. HEADER HSG (PLASTIC HOUSING):  
HB RESIN - SPS  
V0 RESIN - SPS
  - b. PIN ALIGNMENT PLATE:  
HB RESIN - SPS  
V0 RESIN - SPS
  - c. 0.50MM BLADES:  
BASE MATERIAL: BRASS  
PLATING TYPE: AS NOTED
  - d. 1.20MM BLADES:  
BASE MATERIAL: BRASS  
PLATING TYPE: AS NOTED
3. PLATING REQUIREMENTS:
- a. UNDERPLATING - OVERALL NICKEL
  - b. OVERPLATING - OVERALL TIN

B	SHEET 2: ADDED NEW PART NUMBER IN CHART SHEET 2: UPDATE PRODUCT STATUS IN CHART SHEET 3: ADDED SHEET TO SHOW PIN INSERTION DIRECTION VIEW AND PAP HOLE SHAPE VIEW	CO-000009 10
A11	1. SHEET 1: UPDATED NOTES INFORMATION 2. SHEET 2: ADDED SHEET TO SHOW PIN CONFIGURATION TABLE 3. SHEET 2: ADDED NEW PART NUMBER 4. SHEET 4: ADDED "BEFORE SOLDERING" NOTE TO DIM 3 5. SHEET 4: ADDED DIM 3A	663659
A10	1. SHEET 1: ADDED PART NUMBER 34961-1343; 34961-9343; 34961-1344; 34961-1345 2. SHEET 1: STATUS OF 2133551341; 2133559341; 2133551342; 2133559342: WAS OK TO TOOL 3. SHEET 1: ADDED GENERAL TOLERANCE TABLE PER DIN 16961 4. SHEET 1: ADDED FULL LOADED HEADER SD DRAWING NUMBER IN NOTE_1b 5. SHEET 3: REMOVED THE BALLOON NUMBER FOR DIMENSION OF PCB LAYOUT 6. SHEET 3: DIM5 WAS 16.60	636289
A9	1. UPDATED BELOW V0 PART NUMBER STATUS TO SALEABLE IN SHEET 1: 2133551340, 2133559340 2. ADDED V0 VALIDATION SPECIFICATION AND V0 PRODUCT SPECIFICATION INFORMATION IN NOTES. 3. UPDATED V0/HB DIFFERENT FEATURE VIEWS IN SHEET 2.	631855
A8	1. ADDED NEW V0 PART NUMBER IN SHEET 1: 2133551340 / 2133551341 / 2133551342 2133559340 / 2133559341 / 2133559342 2. ADDED V0 MATERIAL INFORMATION IN NOTES 3. ADDED SHEET 2 TO SHOW THE POLARIZATION OPTION VIEW AND V0/HB DIFFERENT FEATURE VIEWS	625904
A7	ADDED NEW PART NUMBER IN SHEET 1: 34961-1382/34961-1383/34961-1384 34961-9382/34961-9383/34961-9384	613431
A6	1. ADDED NEW MINI50 38WAY PART NUMBER IN SHEET 1 2. ADDED MINI50 38WAY PCB LAYOUT IN SHEET 2 3. ADDED DIM17 & DIM18	611160
REV	REV DESCRIPTION	ECN SAP NO.

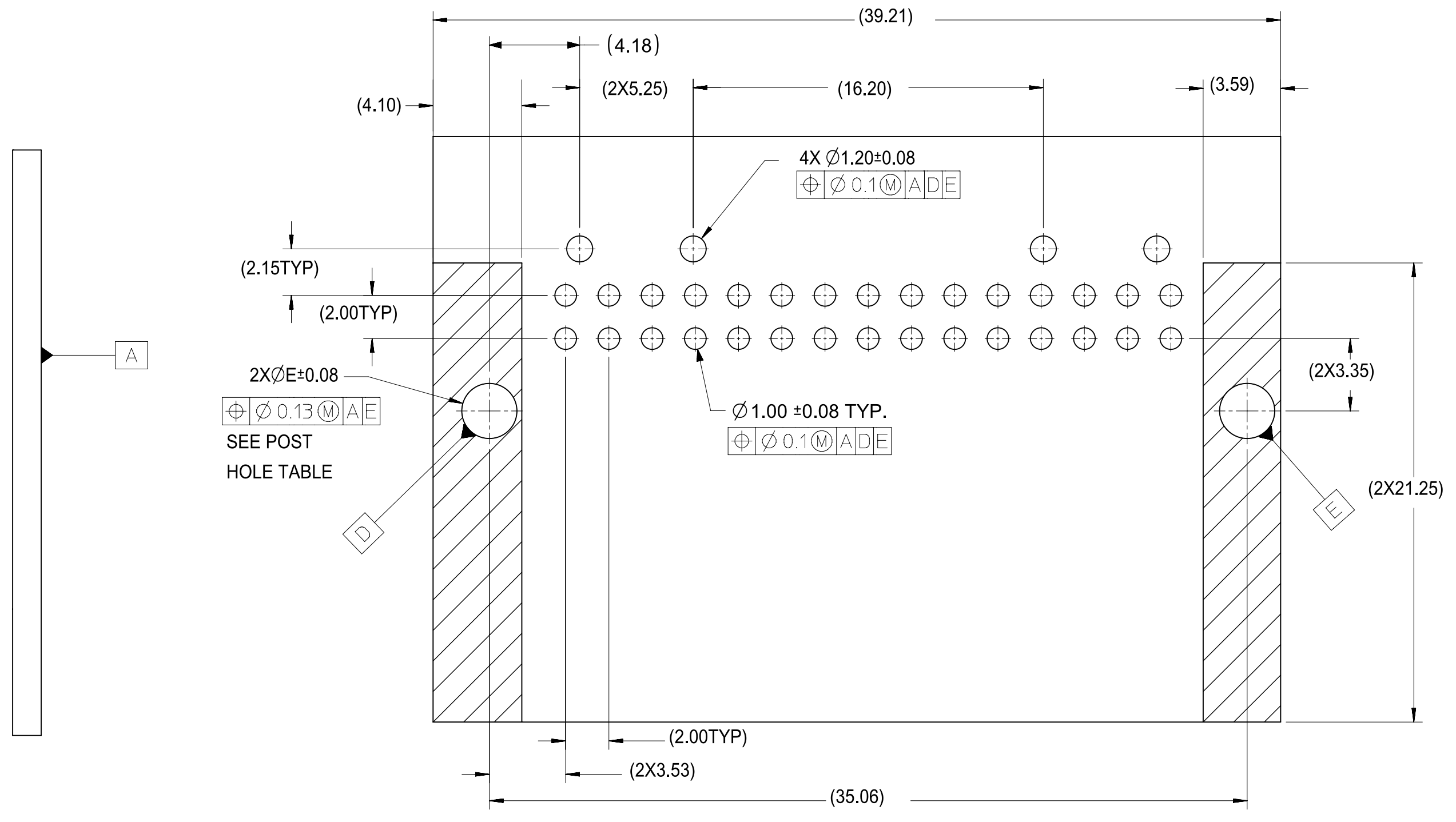
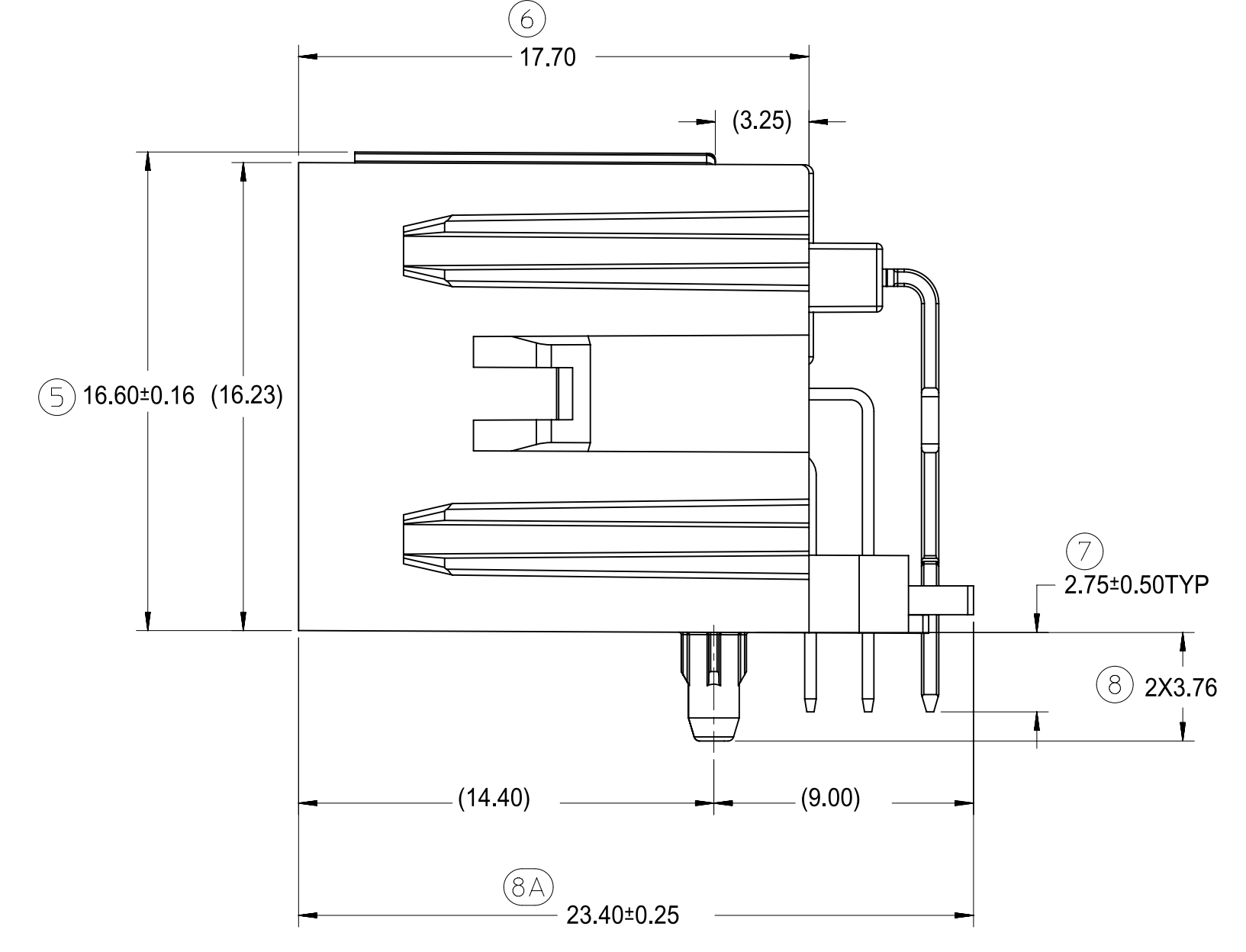
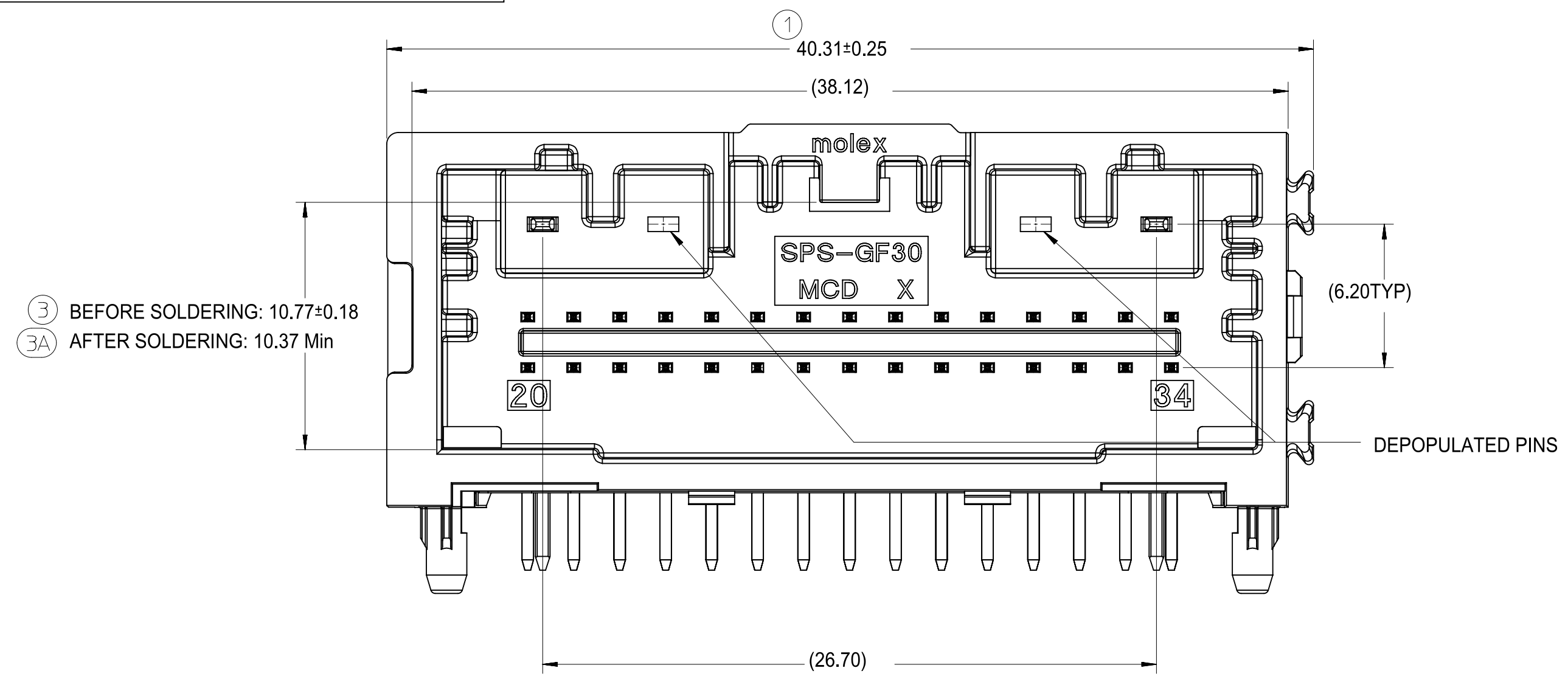
FUNCTIONAL SYMBOLS FA = 0 FC = 0 FP = 0	THIS DRAWING CONTAINS INFORMATION THAT IS PROPRIETARY TO MOLEX ELECTRONIC TECHNOLOGIES, LLC AND SHOULD NOT BE USED WITHOUT WRITTEN PERMISSION	DIMENSION UNITS: mm	SCALE: 2:1	CURRENT REV DESC: REFER TO REVISION COLUMN	
	GENERAL TOLERANCES (UNLESS SPECIFIED)	ANGULAR TOL ± 1.0°		PHASE: Design Production	
DIVISIONAL SYMBOLS	4 PLACES ±	3 PLACES ±		CO NO: CO-00000910	
	2 PLACES ±	1 PLACE ±		DRWN: Shanks Wu 2022-04-08	
	0 PLACES ±	DRAFT WHERE APPLICABLE MUST REMAIN WITHIN DIMENSIONS		CHK'D: Ringo Hu 2022-04-29	
		THIRD ANGLE PROJECTION	DRAWING: D-SIZE	SERIES: 34961	APPR: Colin Zhang 2022-05-05
					INITIAL REVISION: DRWN: Shanks Wu 2022-04-25 APPR: Colin Zhang 2022-05-05
			DOCUMENT NUMBER: SD-34961-130	DOC TYPE: PSD	DOC PART: 001
			MATERIAL NUMBER: GENERAL MARKET	CUSTOMER: 1 OF 5	REVISION: B

**molex**

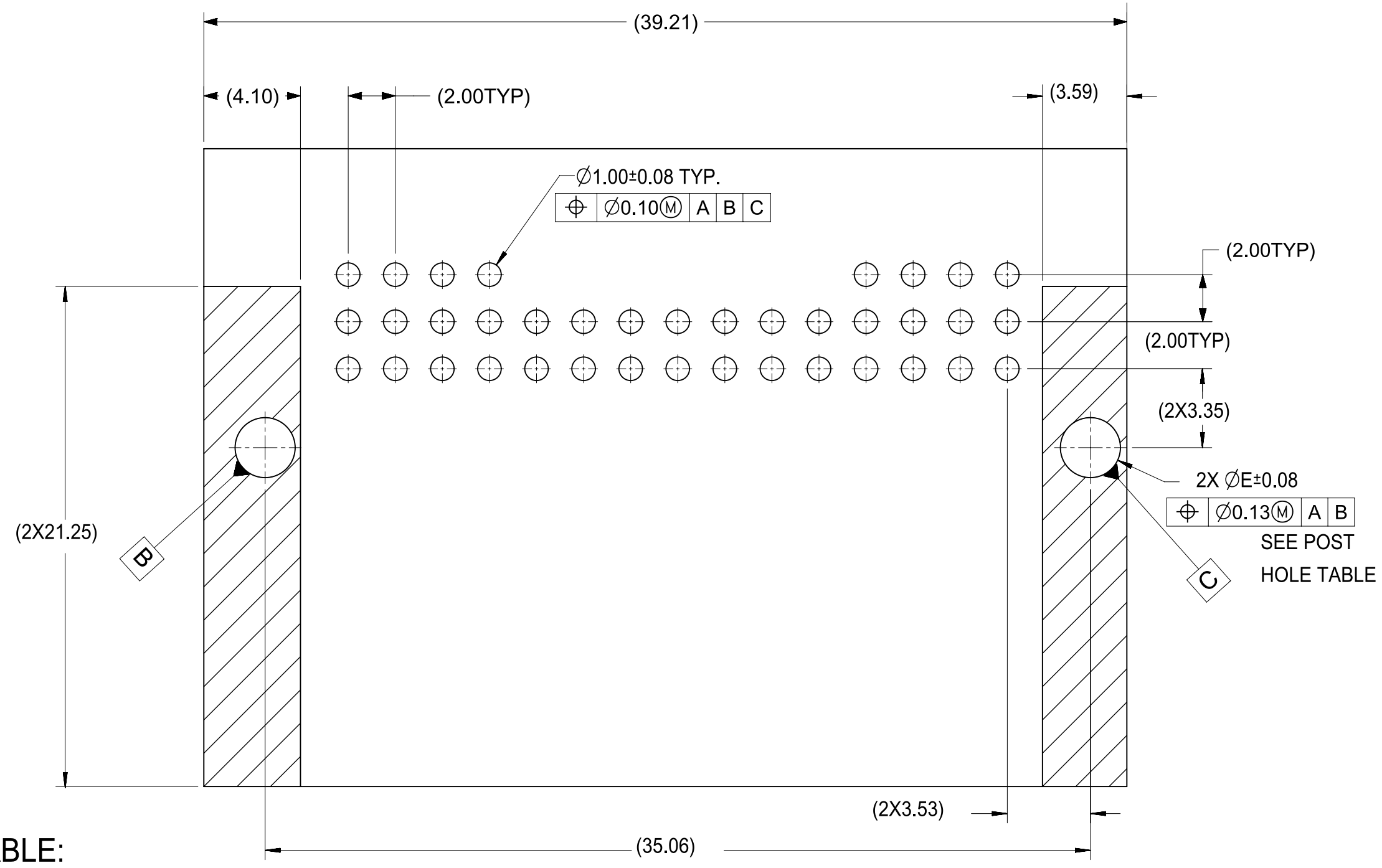
34&38CKT MINI50  
DEPOPULATED PINS HEADER SALES DRAWING

PRODUCT SALES DRAWING

TABLE OF CONTENTS	
SHEET NO.	SHEET DESCRIPTION
5	DETAIL DIMENSION VIEW REFERENCE PCB LAYOUT



REFERENCE 34WAY PCB LAYOUT



REFERENCE 38WAY PCB LAYOUT

POST HOLE TABLE:  
FOR DIM E:

PRESS FIT:	2.15
DROP IN:	2.55

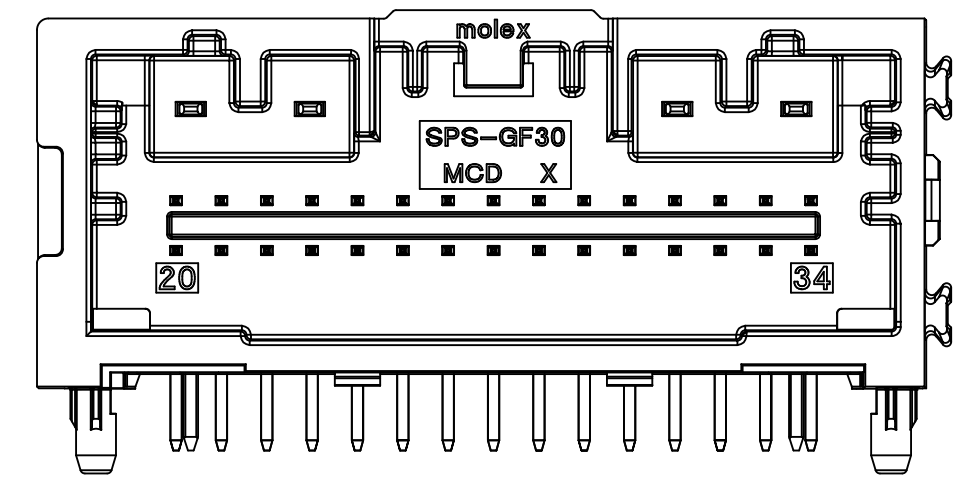
FUNCTIONAL SYMBOLS FA = 0 FE = 0 FP = 0	THIS DRAWING CONTAINS INFORMATION THAT IS PROPRIETARY TO MOLEX ELECTRONIC TECHNOLOGIES, LLC AND SHOULD NOT BE USED WITHOUT WRITTEN PERMISSION	SCALE 3:1	CURRENT REV DESC: REFER TO REVISION COLUMN	
	DIMENSION UNITS mm	GENERAL TOLERANCES (UNLESS SPECIFIED)	PHASE: Design Production	
DIVISIONAL SYMBOLS	ANGULAR TOL ± 1.0°	4 PLACES ±	CO NO: CO-00000910	2022-04-08
		3 PLACES ±	DRWN: Shanks Wu	2022-04-29
		2 PLACES ±	CHK'D: Ringo Hu	2022-05-05
		1 PLACE ±	APPR: Colin Zhang	
		0 PLACES ±	INITIAL REVISION:	
			DRWN: Shanks Wu	2022-04-25
			APPR: Colin Zhang	2022-05-05
DRAFT WHERE APPLICABLE MUST REMAIN WITHIN DIMENSIONS	THIRD ANGLE PROJECTION	DRAWING D-SIZE	SERIES 34961	MATERIAL NUMBER CUSTOMER GENERAL MARKET
		DOCUMENT NUMBER SD-34961-130		DOC TYPE PSD
		DOC PART 001		REVISION B
		SHEET NUMBER 5 OF 5		

**molex**

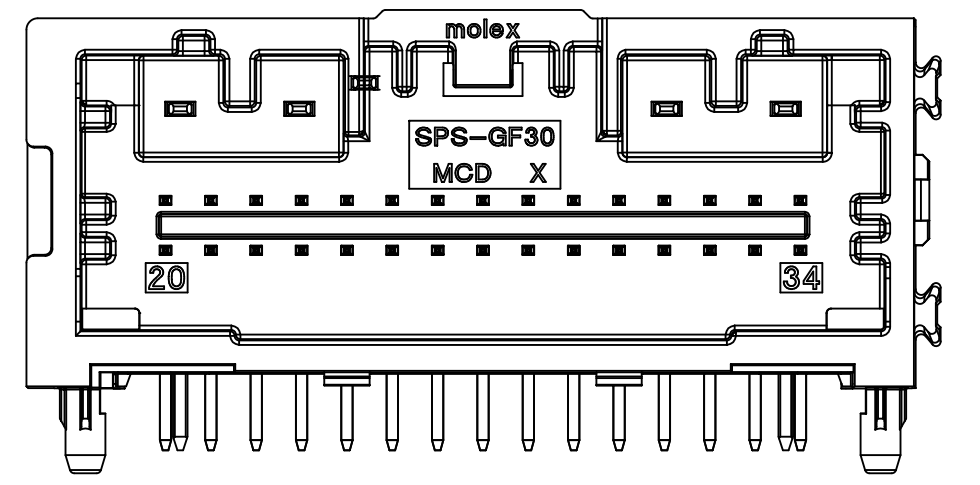
34&38CKT MINI50  
DEPOPULATED PINS HEADER SALES DRAWING

PRODUCT SALES DRAWING

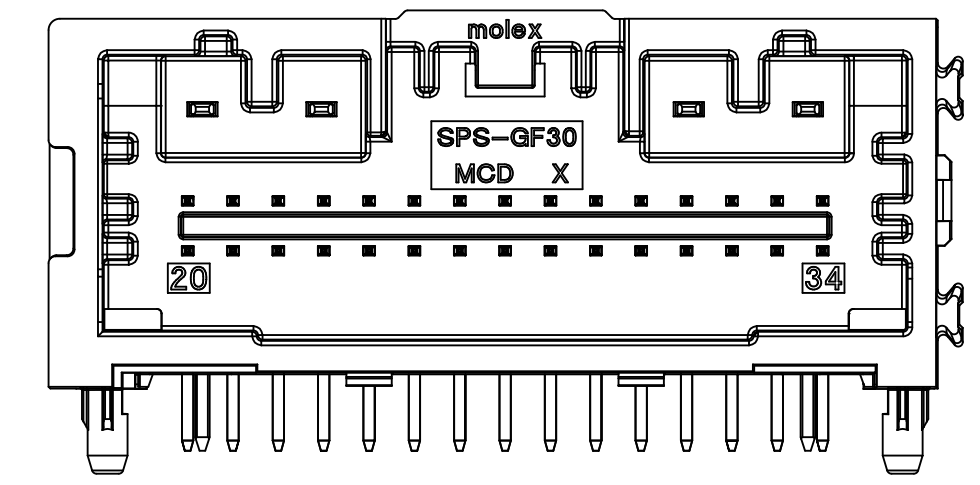
TABLE OF CONTENTS	
SHEET NO.	SHEET DESCRIPTION
3	34&38WAY POLARIZATION OPTION VIEW, HB/V0 VERSION DIFFERENCE



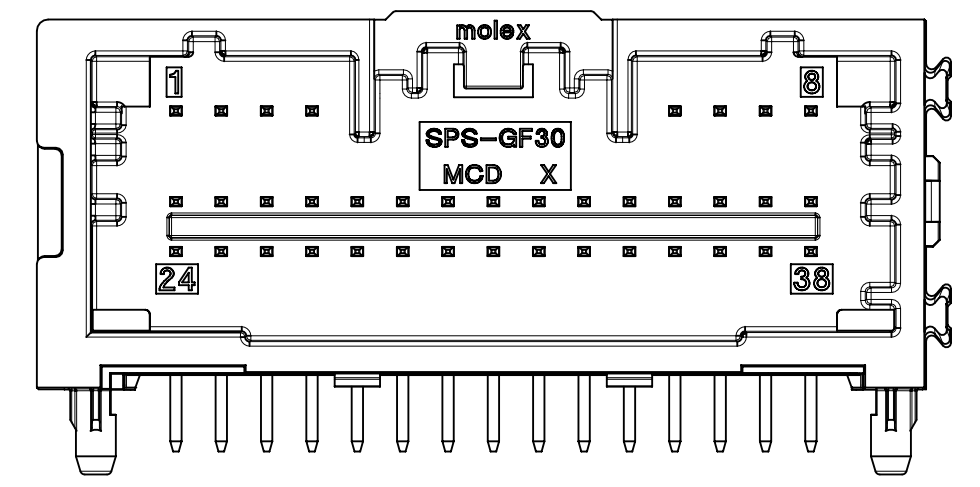
34CTK POLARIZATION OPTION 'A'



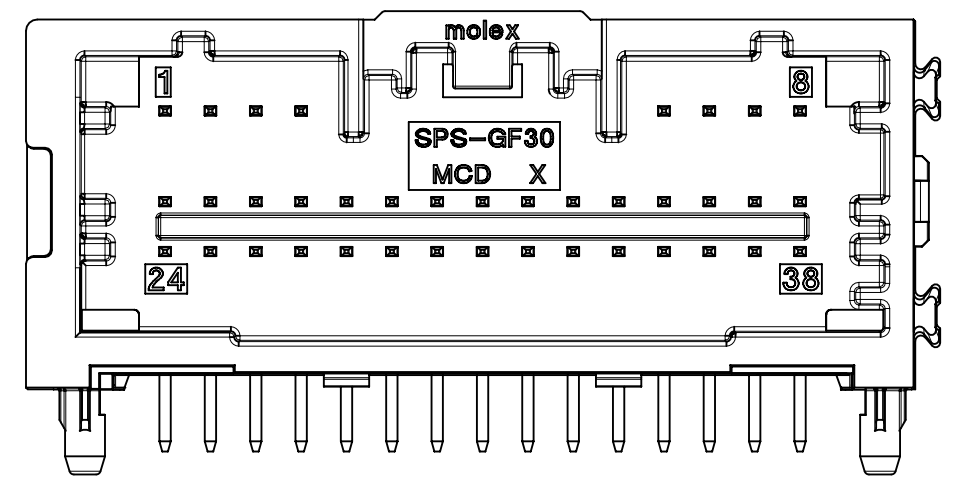
34CTK POLARIZATION OPTION 'B'



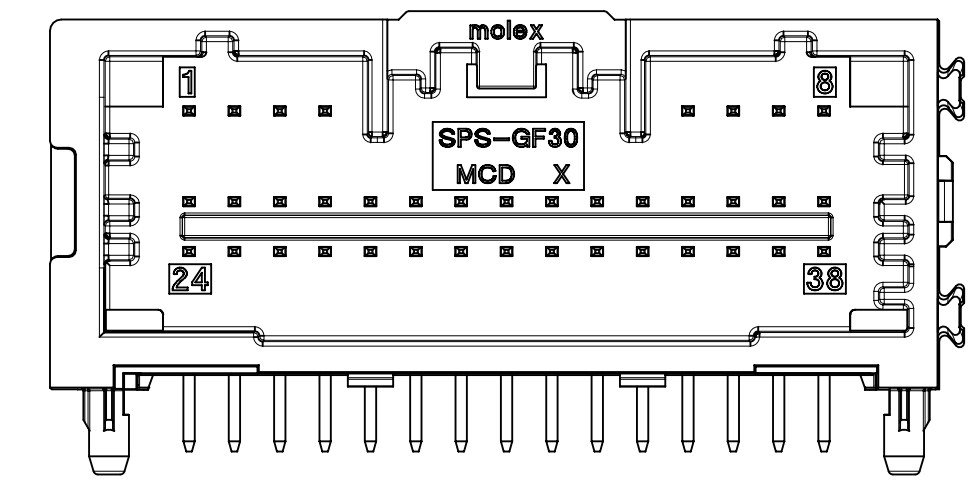
34CTK POLARIZATION OPTION 'C'



38CTK POLARIZATION OPTION UPDATED 'A'

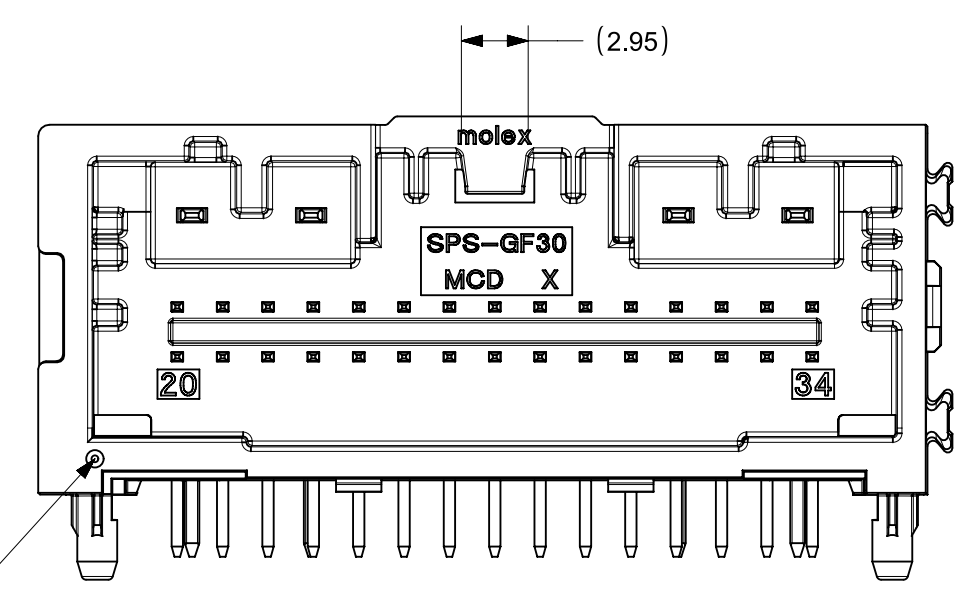


38CTK POLARIZATION OPTION UPDATED 'B'

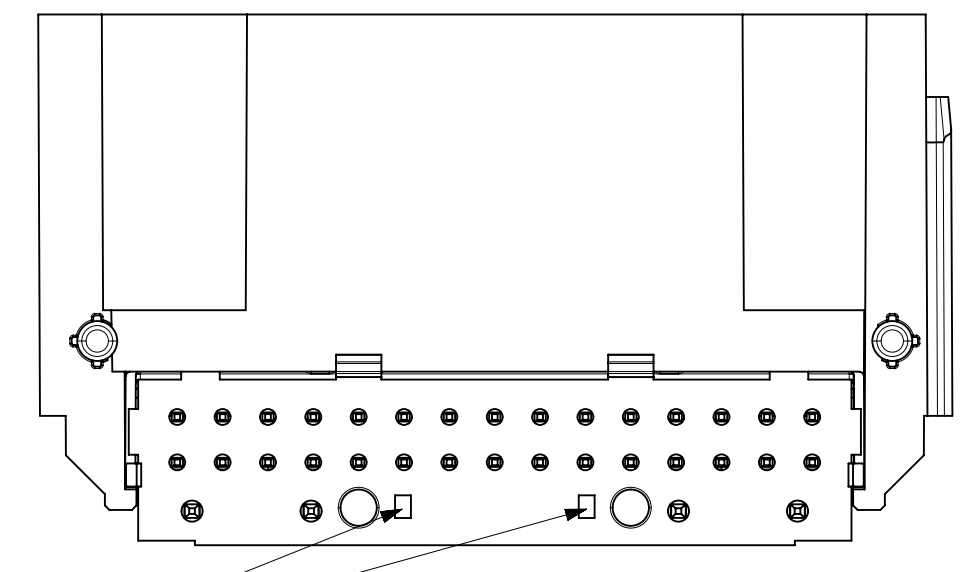
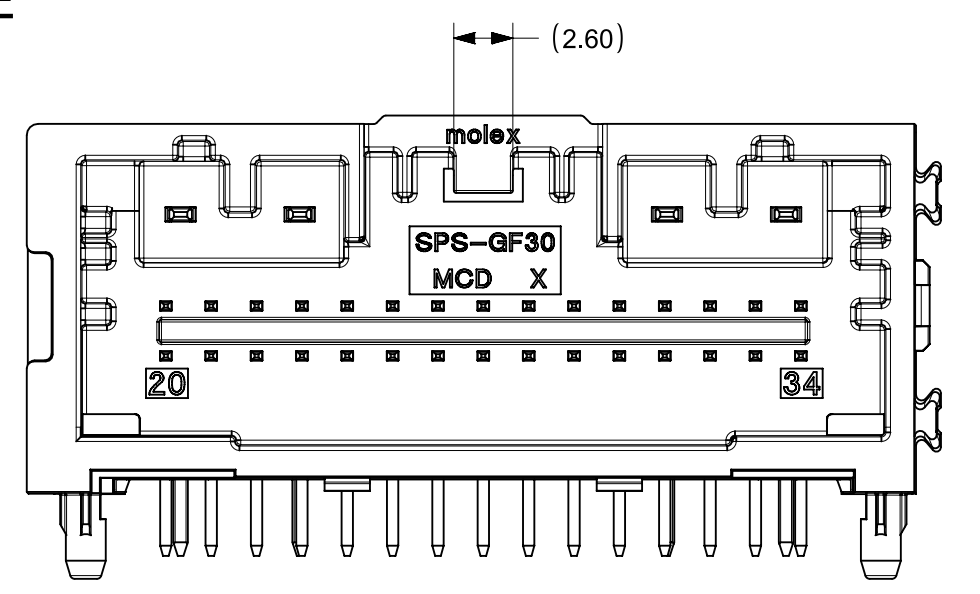


38CTK POLARIZATION OPTION UPDATED 'C'

HB / V0 VERSION DIFFERENCE

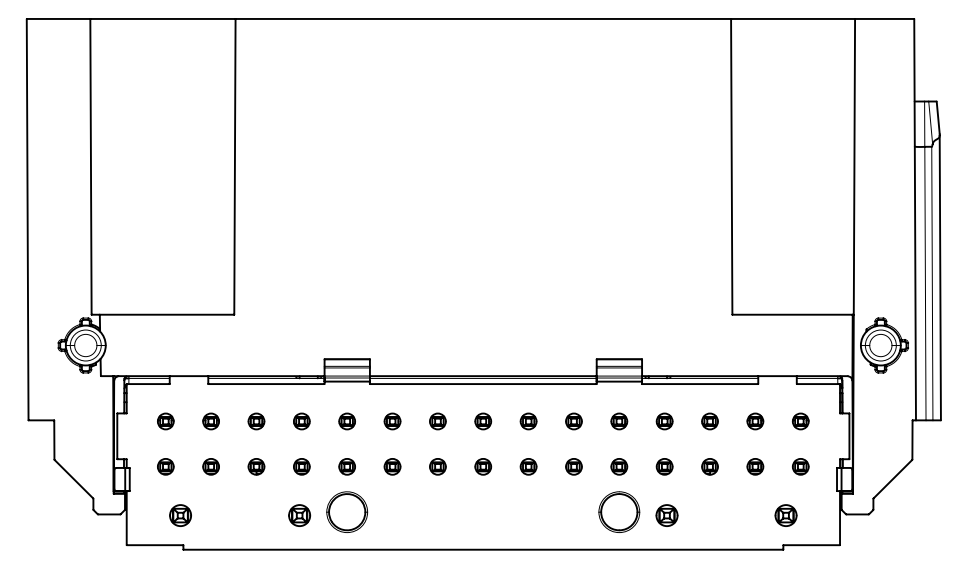


DEPRESSION FEATURE ADDED TO V0 PART TO DISTINGUISH FROM HB PART



HOLE FEATURE ADDED TO V0 PART TO DISTINGUISH FROM HB PART

V0 P/Ns: 213355XXXX  
APPLIES TO ALL CKT SIZES, USE 34CTK AS SHOWN



HB P/Ns: 34961XXXX  
APPLIES TO ALL CKT SIZES, USE 34CTK AS SHOWN

FUNCTIONAL SYMBOLS $F_A = 0$ $F_C = 0$ $F_P = 0$ DIVISIONAL SYMBOLS	THIS DRAWING CONTAINS INFORMATION THAT IS PROPRIETARY TO MOLEX ELECTRONIC TECHNOLOGIES, LLC AND SHOULD NOT BE USED WITHOUT WRITTEN PERMISSION		CURRENT REV DESC: REFER TO REVISION COLUMN	
	DIMENSION UNITS	SCALE		
	mm	3:1		
	GENERAL TOLERANCES (UNLESS SPECIFIED)		PHASE: Design Production	
ANGULAR TOL ± 1.0°		CO NO: CO-000000910		
4 PLACES ±	DRWN: Shanks Wu		2022-04-08	
3 PLACES ±	CHK'D: Ringo Hu		2022-04-29	
2 PLACES ±	APPR: Colin Zhang		2022-05-05	
1 PLACE ±	INITIAL REVISION:			
0 PLACES ±	DRWN: Shanks Wu		2022-04-25	
DRAFT WHERE APPLICABLE MUST REMAIN WITHIN DIMENSIONS		APPR: Colin Zhang		
THIRD ANGLE PROJECTION		DRAWING	SERIES	
		D-SIZE	34961	
		MATERIAL NUMBER	CUSTOMER	
		SD-34961-130	GENERAL MARKET	
		DOC TYPE   DOC PART   REVISION	SHEET NUMBER	
		PSD   001   B	3 OF 5	

TABLE OF CONTENTS	
SHEET NO.	SHEET DESCRIPTION
2	PIN CONFIGURATION TABLE

34CKT PIN CONFIGURATION TABLE

DESCRIPTION	MATERIAL NUMBER			POL	UL94#	COLOR	0.50mm PIN INSERTION DIRCTION	PIN CONFIGURATION																STATUS <sup>(B)</sup>									
	TRAY PACKAGING	TUBE PACKAGING	TAPE AND REEL					1				2				3				4													
	PK-31302-070	PK-31301-688	PK-47799-0001					5	6	7	8	9	10	11	12	13	14	15	16	17	18	19											
34CKT MINI50 RIGHT ANGLE HEADER ASSEMBLY	34961-1340	TBD	34961-9340	A	HB	BLACK	PCB TO MATING	32			X																						WILL BE OBSOLETE D IN 2023
34CKT MINI50 RIGHT ANGLE HEADER ASSEMBLY	34961-1346	TBD	34961-9346	A	HB	BLACK	MATING TO PCB	32			X																					SALEABLE	
34CKT MINI50 RIGHT ANGLE HEADER ASSEMBLY	2133551340	TBD	2133559340	A	V0	BLACK	PCB TO MATING	32	X	X	X	X	X	X	X	X	X	X	X	X	X	X	X	X	X	X	X	X	X	X	X	WILL BE OBSOLETE D IN 2023	
34CKT MINI50 RIGHT ANGLE HEADER ASSEMBLY	2133551343	TBD	2133559343	A	V0	BLACK	MATING TO PCB	32	X	X	X	X	X	X	X	X	X	X	X	X	X	X	X	X	X	X	X	X	X	X	X	SALEABLE	
34CKT MINI50 RIGHT ANGLE HEADER ASSEMBLY	34961-1341	TBD	34961-9341	B	HB	GREY	PCB TO MATING	32			X																					WILL BE OBSOLETE D IN 2023	
34CKT MINI50 RIGHT ANGLE HEADER ASSEMBLY	34961-1347	TBD	34961-9347	B	HB	GREY	MATING TO PCB	32			X																					SALEABLE	
34CKT MINI50 RIGHT ANGLE HEADER ASSEMBLY	2133551341	TBD	2133559341	B	V0	GREY	PCB TO MATING	32	X	X	X	X	X	X	X	X	X	X	X	X	X	X	X	X	X	X	X	X	X	X	X	WILL BE OBSOLETE D IN 2023	
34CKT MINI50 RIGHT ANGLE HEADER ASSEMBLY	2133551344	TBD	2133559344	B	V0	GREY	MATING TO PCB	32	X	X	X	X	X	X	X	X	X	X	X	X	X	X	X	X	X	X	X	X	X	X	X	SALEABLE	
34CKT MINI50 RIGHT ANGLE HEADER ASSEMBLY	34961-1342	TBD	34961-9342	C	HB	DK GREY	PCB TO MATING	32			X																					WILL BE OBSOLETE D IN 2023	
34CKT MINI50 RIGHT ANGLE HEADER ASSEMBLY	34961-1348	TBD	34961-9348	C	HB	DK GREY	MATING TO PCB	32			X																					SALEABLE	
34CKT MINI50 RIGHT ANGLE HEADER ASSEMBLY	2133551342	TBD	2133559342	C	V0	DK GREY	PCB TO MATING	32	X	X	X	X	X	X	X	X	X	X	X	X	X	X	X	X	X	X	X	X	X	X	X	WILL BE OBSOLETE D IN 2023	
34CKT MINI50 RIGHT ANGLE HEADER ASSEMBLY	2133551345	TBD	2133559345	C	V0	DK GREY	MATING TO PCB	32	X	X	X	X	X	X	X	X	X	X	X	X	X	X	X	X	X	X	X	X	X	X	X	SALEABLE	
34CKT MINI50 RIGHT ANGLE HEADER ASSEMBLY	34961-1343	TBD	34961-9343	A	HB	BLACK	PCB TO MATING	18			-		-																			WILL BE OBSOLETE D IN 2023	
34CKT MINI50 RIGHT ANGLE HEADER ASSEMBLY	34961-1349	TBD	34961-9349	A	HB	BLACK	MATING TO PCB	18	X	X	-	-	X	X	-	-	X	X	-	-	X	X	-	-	X	X	-	-	X	X	SALEABLE		
34CKT MINI50 RIGHT ANGLE HEADER ASSEMBLY	34961-1344	TBD	TBD	A	HB	BLACK	PCB TO MATING	32			X	X																				WILL BE OBSOLETE D IN 2023	
34CKT MINI50 RIGHT ANGLE HEADER ASSEMBLY	34961-1350	TBD	TBD	A	HB	BLACK	MATING TO PCB	32	X	X	X	X	X	X	X	X	X	X	X	X	X	X	X	X	X	X	X	X	X	X	X	SALEABLE	
34CKT MINI50 RIGHT ANGLE HEADER ASSEMBLY	34961-1345	TBD	TBD	B	HB	GERY	PCB TO MATING	32			X	X																				WILL BE OBSOLETE D IN 2023	
34CKT MINI50 RIGHT ANGLE HEADER ASSEMBLY	34961-1351	TBD	TBD	B	HB	GERY	MATING TO PCB	32	X	X	X	X	X	X	X	X	X	X	X	X	X	X	X	X	X	X	X	X	X	X	X	SALEABLE	

(\*": WITH TERMINAL, "-": WITHOUT TERMINALS,CAVITY IS OPEN)

38CKT PIN CONFIGURATION TABLE

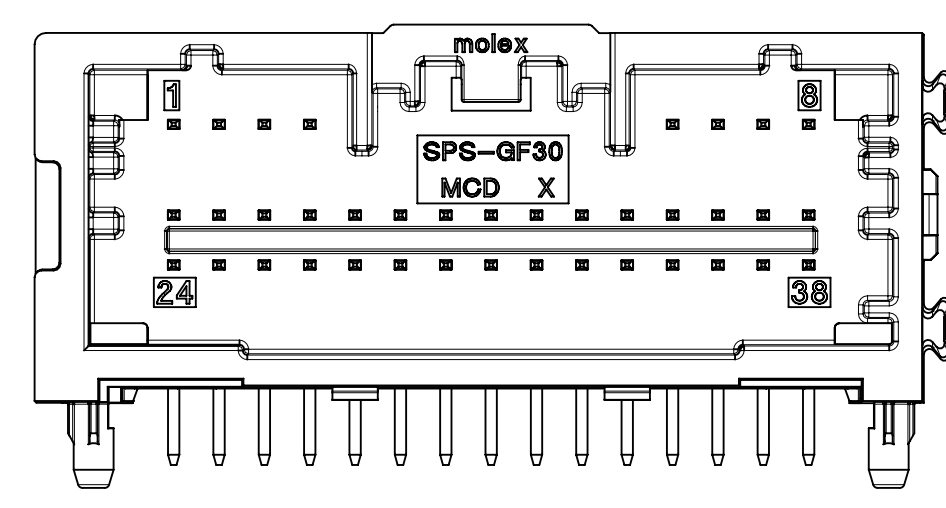
DESCRIPTION	MATERIAL NUMBER			POL	COLOR	0.50mm PIN INSERTION DIRCTION	PIN CONFIGURATION																STATUS <sup>(B)</sup>									
	TRAY PACKAGING	TUBE PACKAGING	TAPE AND REEL				1				2				3				4													
	PK-31302-070	PK-31301-688	PK-47799-0001				9	10	11	12	13	14	15	16	17	18	19	20	21	22	23											
38CKT MINI50 RIGHT ANGLE HEADER ASSEMBLY	34961-1380	TBD	TBD	UPDATED A	BLACK	PCB TO MATING	31			X	X	X															X	X	X	X	WILL BE OBSOLETE D IN 2023	
38CKT MINI50 RIGHT ANGLE HEADER ASSEMBLY	34961-1387	TBD	34961-9387	UPDATED A	BLACK	MATING TO PCB	31	X		-	-	X	X	X	X	X	X	X	X	X	X	X	X	X	X	X	X	X	X	X	SALEABLE	
38CKT MINI50 RIGHT ANGLE HEADER ASSEMBLY	34961-1394	TBD	TBD	UPDATED A	BLACK	PCB TO MATING	31	X	X	X	X	X	X	X	X	X	X	X	X	X	X	X	X	X	X	X	X	X	X	X	X	WILL BE OBSOLETE D IN 2023
38CKT MINI50 RIGHT ANGLE HEADER ASSEMBLY	34961-1381	TBD	TBD	UPDATED B	GREY	PCB TO MATING	14	-	-	X	X																				WILL BE OBSOLETE D IN 2023	
38CKT MINI50 RIGHT ANGLE HEADER ASSEMBLY	34961-1388	TBD	34961-9388	UPDATED B	GREY	MATING TO PCB	14	-	-	-	-	-	-	X	X	-	-	-	-	-	-	-	-	-	-	-	-	-	-	-	SALEABLE	
38CKT MINI50 RIGHT ANGLE HEADER ASSEMBLY	34961-1395	TBD	TBD	UPDATED B	GREY	PCB TO MATING	14	X	X	-	-	X	X	-	-	-	-	-	-	-	-	X	X	-	X	X	-	X	X	WILL BE OBSOLETE D IN 2023		
38CKT MINI50 RIGHT ANGLE HEADER ASSEMBLY	34961-1382	TBD	34961-9382	UPDATED A	BLACK	PCB TO MATING	30	-	-	-	-																				WILL BE OBSOLETE D IN 2023	
38CKT MINI50 RIGHT ANGLE HEADER ASSEMBLY	34961-1389	TBD	34961-9389	UPDATED A	BLACK	MATING TO PCB	30	X	X	X	X	X	X	X	X	X	X	X	X	X	X	X	X	X	X	X	X	X	X	X	SALEABLE	
38CKT MINI50 RIGHT ANGLE HEADER ASSEMBLY	34961-1383	TBD	34961-9383	UPDATED B	GREY	PCB TO MATING	30	-	-	-	-																				WILL BE OBSOLETE D IN 2023	
38CKT MINI50 RIGHT ANGLE HEADER ASSEMBLY	34961-1390	TBD	34961-9390	UPDATED B	GREY	MATING TO PCB	30	X	X	X	X	X	X	X	X	X	X	X	X	X	X	X	X	X	X	X	X	X	X	X	SALEABLE	
38CKT MINI50 RIGHT ANGLE HEADER ASSEMBLY	34961-1384	TBD	34961-9384	UPDATED C	DK GREY	PCB TO MATING	30	-	-	-	-																				WILL BE OBSOLETE D IN 2023	
38CKT MINI50 RIGHT ANGLE HEADER ASSEMBLY	34961-1391	TBD	34961-9391	UPDATED C	DK GREY	MATING TO PCB	30	X	X	X	X	X	X	X	X	X	X	X	X	X	X	X	X	X	X	X	X	X	X	X	SALEABLE	
38CKT MINI50 RIGHT ANGLE HEADER ASSEMBLY	34961-1385	TBD	34961-9385	UPDATED A	BLACK	PCB TO MATING	14	-	-	X	X																				WILL BE OBSOLETE D IN 2023	
38CKT MINI50 RIGHT ANGLE HEADER ASSEMBLY	34961-1392	TBD	34961-9392	UPDATED A	BLACK	MATING TO PCB	14	X	X	-	-	X	X	-	-	-	-	-	-	-	-	X	X	-	X	X	-	X	X	SALEABLE		
38CKT MINI50 RIGHT ANGLE HEADER ASSEMBLY	34961-1386	TBD	TBD	UPDATED C	DK GREY	PCB TO MATING	34	X	X	X	X																X	X	X	WILL BE OBSOLETE D IN 2023		
38CKT MINI50 RIGHT ANGLE HEADER ASSEMBLY	34961-1393	TBD	TBD	UPDATED C	DK GREY	MATING TO PCB	34	X	X	X	X	X	X	X	X	X	X	X	X	X	X	X	X	X	X	X	X	X	X	X	SALEABLE	

(\*": WITH TERMINAL, "-": WITHOUT TERMINALS,CAVITY IS OPEN)

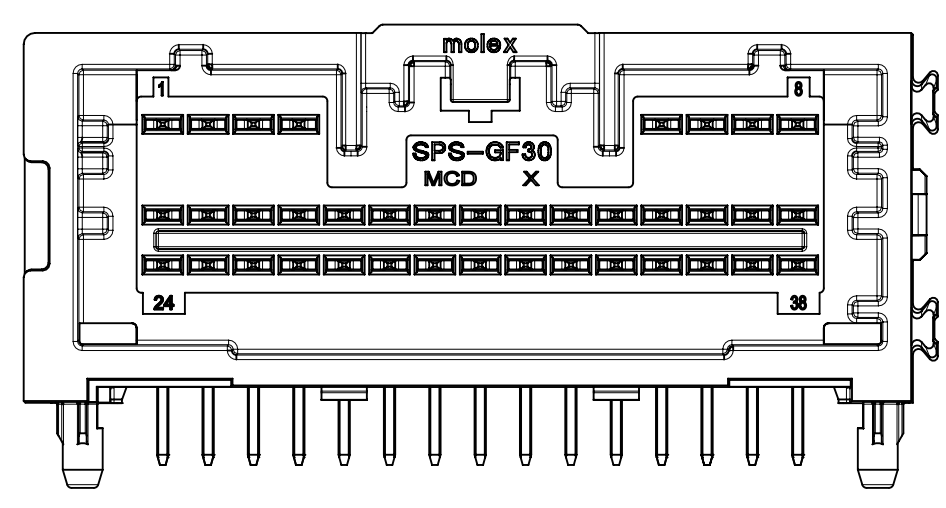
FUNCTIONAL SYMBOLS	THIS DRAWING CONTAINS INFORMATION THAT IS PROPRIETARY TO MOLEX ELECTRONIC TECHNOLOGIES, LLC AND SHOULD NOT BE USED WITHOUT WRITTEN PERMISSION			CURRENT REV DESC: REFER TO REVISION COLUMN		
	FA = 0	mm	SCALE 1:1			
DIVISIONAL SYMBOLS	FE = 0	GENERAL TOLERANCES (UNLESS SPECIFIED)		PHASE: Design Production CO NO: CO-000000910	34&38CKT MINI50 DEPOPULATED PINS HEADER SALES DRAWING	
	FP = 0	ANGULAR TOL	± 1.0°			
DRAFT WHERE APPLICABLE MUST REMAIN WITHIN DIMENSIONS	4 PLACES	±	DRWN: Shanks Wu	2022-04-08	<b>SD-34961-130</b>	
	3 PLACES	±	CHK'D: Ringo Hu	2022-04-29		PSD 001 B
	2 PLACES	±	APPR: Colin Zhang	2022-05-05		DOC TYPE
	1 PLACE	±	INITIAL REVISION:			DOC PART
0 PLACES	±	DRWN: Shanks Wu	2022-04-25	REVISION		
		APPR: Colin Zhang	2022-05-05			
DRAFT WHERE APPLICABLE MUST REMAIN WITHIN DIMENSIONS	THIRD ANGLE PROJECTION	DRAWING	SERIES	MATERIAL NUMBER	CUSTOMER	
		D-SIZE	34961	GENERAL MARKET		
				SHEET NUMBER	2 OF 5	

TABLE OF CONTENTS	
SHEET NO.	SHEET DESCRIPTION
4	PIN INSERTION DIRECTION VIEW PAP HOLE SHAPE VIEW

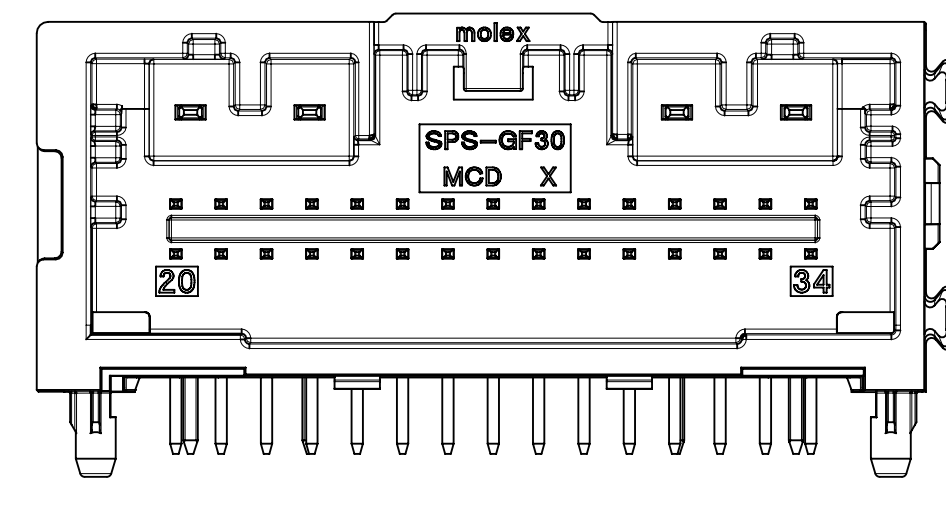
PIN INSERTION DIRECTION VIEW



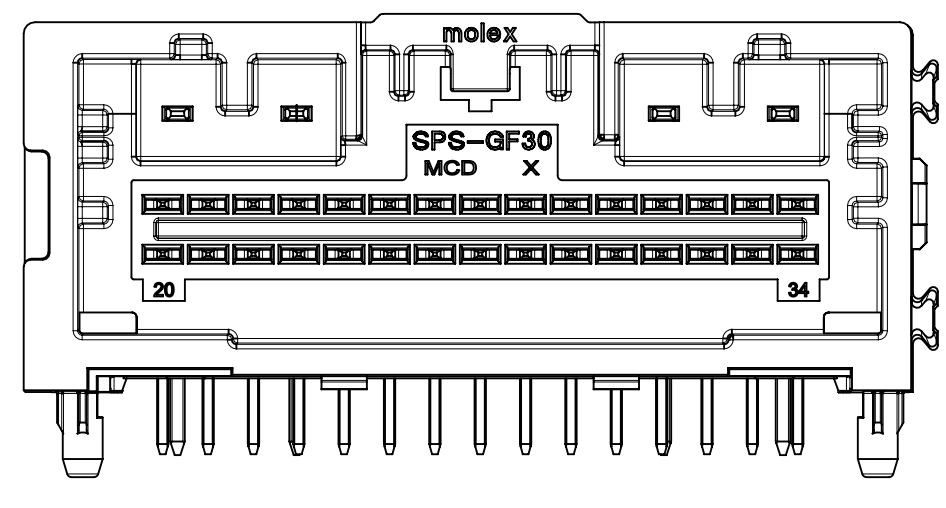
38CKT PIN INSERTION DIRECTION  
PCB SIDE TO MATING SIDE



38CKT PIN INSERTION DIRECTION  
MATING SIDE TO PCB SIDE

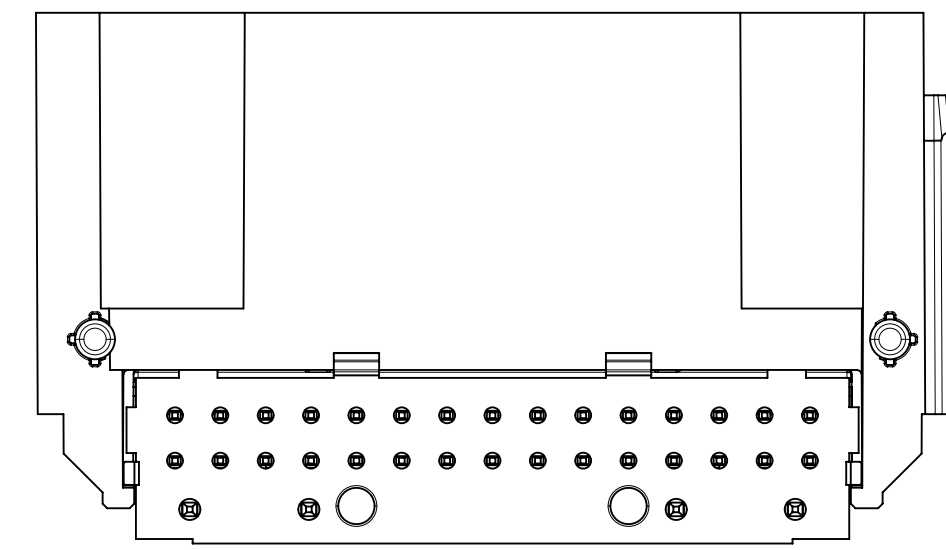


34CKT PIN INSERTION DIRECTION  
PCB SIDE TO MATING SIDE

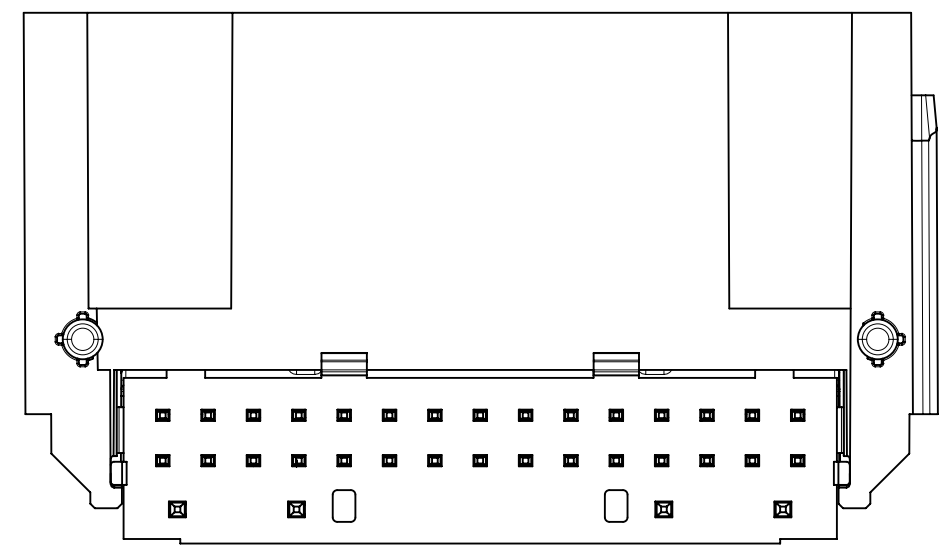


34CKT PIN INSERTION DIRECTION  
MATING SIDE TO PCB SIDE

PAP HOLE SHAPE VIEW



PAP HOLE SHAPE  
ROUND



PAP HOLE SHAPE  
SQUARE

<b>FUNCTIONAL SYMBOLS</b> $F_A = 0$ $F_C = 0$ $F_P = 0$	THIS DRAWING CONTAINS INFORMATION THAT IS PROPRIETARY TO MOLEX ELECTRONIC TECHNOLOGIES, LLC AND SHOULD NOT BE USED WITHOUT WRITTEN PERMISSION		CURRENT REV DESC: REFER TO REVISION COLUMN											
	DIMENSION UNITS <b>mm</b>	SCALE <b>1:1</b>	<table border="0"> <tr> <td colspan="2"><b>molex</b></td> </tr> <tr> <td colspan="2">34&amp;38CKT MINI50 DEPOPULATED PINS HEADER SALES DRAWING</td> </tr> <tr> <td colspan="2">PRODUCT SALES DRAWING</td> </tr> <tr> <td>DOCUMENT NUMBER</td> <td>DOC TYPE   DOC PART   REVISION</td> </tr> <tr> <td><b>SD-34961-130</b></td> <td>PSD   001   B</td> </tr> </table>			<b>molex</b>		34&38CKT MINI50 DEPOPULATED PINS HEADER SALES DRAWING		PRODUCT SALES DRAWING		DOCUMENT NUMBER	DOC TYPE   DOC PART   REVISION	<b>SD-34961-130</b>
<b>molex</b>														
34&38CKT MINI50 DEPOPULATED PINS HEADER SALES DRAWING														
PRODUCT SALES DRAWING														
DOCUMENT NUMBER	DOC TYPE   DOC PART   REVISION													
<b>SD-34961-130</b>	PSD   001   B													
GENERAL TOLERANCES (UNLESS SPECIFIED) ANGULAR TOL $\pm 1.0^\circ$		PHASE: Design Production CO NO: CO-000000910												
4 PLACES $\pm$ 3 PLACES $\pm$ 2 PLACES $\pm$ 1 PLACE $\pm$ 0 PLACES $\pm$	DRWN: Shanks Wu 2022-04-08 CHK'D: Ringo Hu 2022-04-29 APPR: Colin Zhang 2022-05-05	INITIAL REVISION: DRWN: Shanks Wu 2022-04-25 APPR: Colin Zhang 2022-05-05												
DRAFT WHERE APPLICABLE MUST REMAIN WITHIN DIMENSIONS	THIRD ANGLE PROJECTION 	DRAWING SERIES <b>D-SIZE 34961</b>												
MATERIAL NUMBER <b>34961</b>		CUSTOMER <b>GENERAL MARKET</b>	SHEET NUMBER <b>4 OF 5</b>											