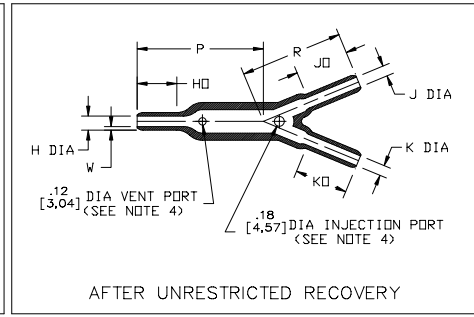
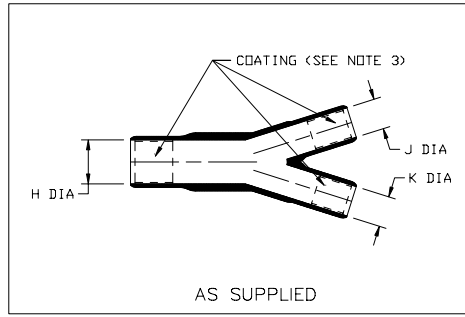


Molded Parts Specification Control Drawing

Part Number : 381A015
Description : Transition, Y

NOTES

- All dimensions are in $\frac{\text{inches}}{\text{[millimeters]}}$
- Dimensions appearing in table are as follows:
 - a - As Supplied
 - b - After Unrestricted Recovery
- Coating is optional. As supplied dimensions appearing in table are for uncoated parts. When coating is added, entry diameters will be reduced by .06 max.
- Molding ports are optional. When -00 modification number is specified molding ports will be located as shown.



PART NUMBER	H		J & K		P	R	HO	JO&KO	W	C
	Min	Max	Min	Max						
	a	b	a	b						
381A015	.68 [17,2]	.31 [7,8]	.44 [11,1]	.31 [7,8]	3.25 [82,6]	2.50 [63,5]	1.00 [25,4]	1.19 [30,2]	.085 [2,1]	22.5*

**If this document is printed it becomes uncontrolled.
Check for the latest revision.**

tyco/Electronics
TYCO ELECTRONICS
307 CONSTITUTION DRIVE
MENLO PARK, CALIFORNIA 94025

Revision : K
Date : 6/17/02

Part Number : 381A015
Description : Transition, Y

Molded Parts Specification Control Drawing

Part Number : 381A015
Description : Transition, Y

MATERIAL DASH NO.	MATERIAL DESCRIPTION	RT SPEC	COATING SLASH NO.	COATING S NO.	COATING DESCRIPTION
-3	Polyolefin, Semi-rigid	RT-301	/42,/86	S-1017,S-1048	Adhesive
-4	Polyolefin, Flexible	RT-1304	/42,/86	S-1017,S-1048	Adhesive
-5	Elastomer, Flexible	RT-501	N/A		
-6	Silicone	RT-602	N/A		
-12	*VITON, Flexible	RT-1312	N/A		
-25	Elastomer, Fluid Resistant	RT-1325	N/A		

*VITON is a Registered_{TM} Trademark of Dupont

Base part number	381A015	-XX	-XX	/XXX
Material dash number (See Compatibility Chart)				
Modification number (If necessary, see front of scd binder for a complete list)				
Adhesive slash number (If necessary, see Compatibility Chart)				

THIS DRAWING IS SUBJECT TO CHANGE WITHOUT NOTICE; CONSULT YOUR
NEAREST FIELD REPRESENTATIVE FOR CURRENT REVISION

tyco/Electronics
TYCO ELECTRONICS
307 CONSTITUTION DRIVE
MENLO PARK, CALIFORNIA 94025

Revision : K
Date : 6/17/02

Part Number : 381A015
Description : Transition, Y