

E311XXXXXXXX	1) BN (or BK1) 2) BU (or BK2)	
E312XXXXXXXX	1) BN (or BK1) 2) BU (or BK2) 3) GN-YE (or BK3)	
E313XXXXXXXX	1)BN 2)BU or GY 3)BK 4)GN-YE	

TECHNICAL SPECIFICATIONS:

MAX CURRENT : 5.0A
 MAX VOLTAGE : 250V
 OPERATING TEMP:
 NBR GASKET : -40°C TO +90°C
 SILICONE GASKET : -40°C TO +125°C
 ENVIRONMENTAL RATING : IP65
 (IP67 AVAILABLE ON REQUEST)

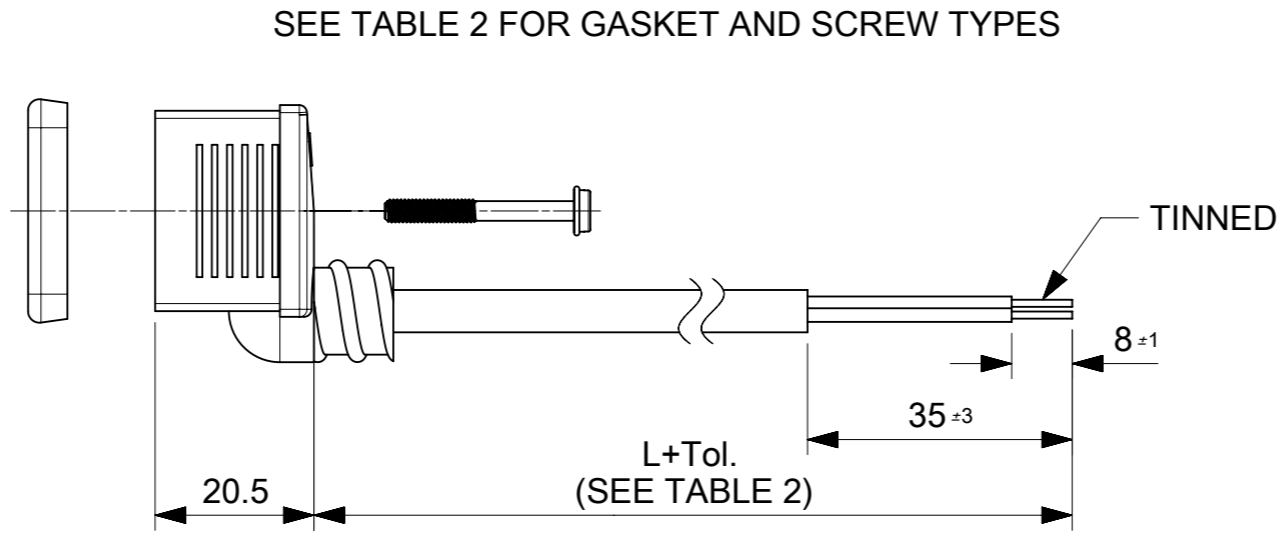
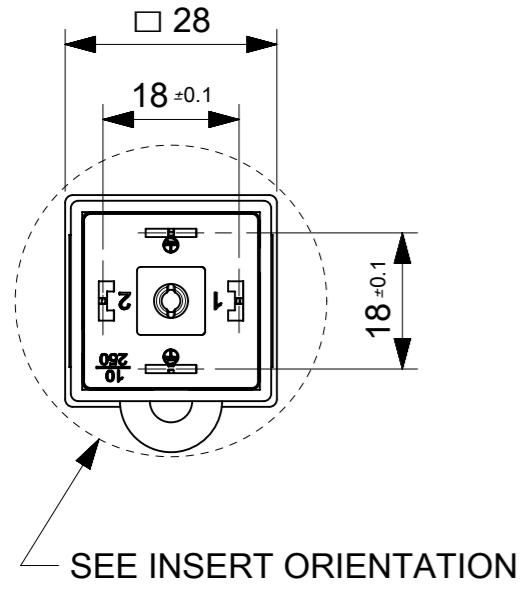
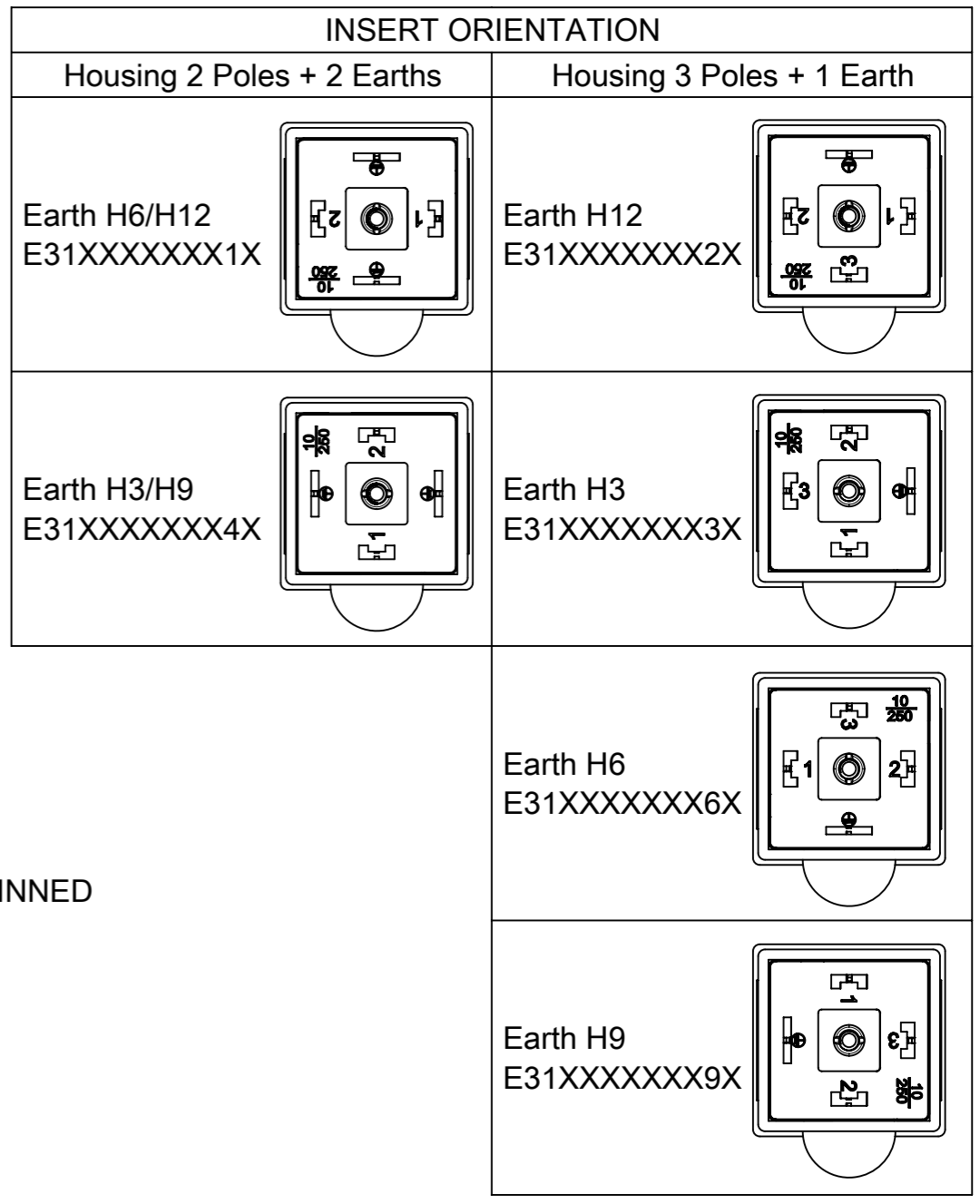


TABLE 2

Profiled Gasket	Flat Gasket	Integrated Gasket	Screw M3x25
			Screw M3x27 + Washer

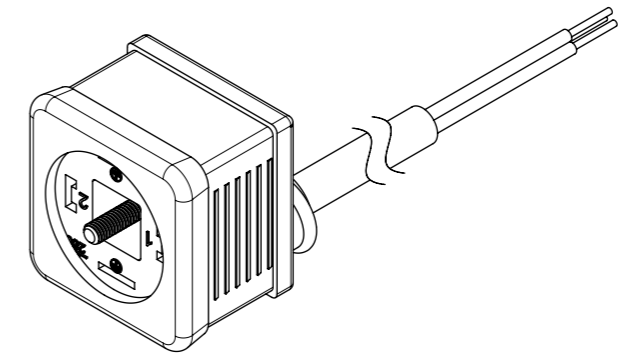


TABLE OF LENGTH TOLERANCES [mm]

Over	Up to and Including	TOLERANCE
0	1000	±20
1000	3000	±30
3000	5000	±40
5000	10000	±50
10000	15000	±100
15000	20000	±150
20000		±L/100

THIS DRAWING CONTAINS INFORMATION THAT IS PROPRIETARY TO MOLEX ELECTRONIC TECHNOLOGIES, LLC AND SHOULD NOT BE USED WITHOUT WRITTEN PERMISSION

DIMENSION UNITS: mm	SCALE: 1:1	CURRENT REV DESC: OBSOLETE PART NO	
GENERAL TOLERANCES (UNLESS SPECIFIED)		EC NO: 628886	
ANGULAR TOL ± 1.0 °	4 PLACES ±	DRWN: RPRABHUM	2019/08/23
2 PLACES ± 0.05	3 PLACES ±	CHK'D: GGA	2020/01/13
1 PLACE ± 0.3	0 PLACES ± 0.5	APPR: GGA	2020/01/13
DRAFT WHERE APPLICABLE MUST REMAIN WITHIN DIMENSIONS		INITIAL REVISION:	
THIRD ANGLE PROJECTION		DRWN: DSOPPIN	2018/09/17
DRAWING: A3-SIZE		APPR: RSILLER	2018/10/12
SERIES: 121040		DOCUMENT NUMBER: 1210401504	
MATERIAL NUMBER: SEE TABLE 1		DOC TYPE: PSD	
CUSTOMER: GENERAL MARKET		DOC PART: 000	
SHEET NUMBER: 1 OF 2		REVISION: A1	

PN KEY - NUMERICAL CODE (Available parts see PART LIST table. Others parts available upon request).

E 3 1 X X X X X X X X X

E - Packing without bags
W - Single Packing

Number of wires:
1 - 2 Wires
2 - 2 Wires + 2 Earth
3 - 3 Wires + 1 Earth

Cable type:
See Table

Head Colour:
G - Grey
N - Black
A - CSA-UL Black
B - CSA-UL Grey

Cable Length in [cm]
Examples:
050 = 50cm
300 = 300cm
10K = 1000cm

Type of Gasket and Screw (see sheet 1):
1 = NBR Profile Gasket + Fixing Screw M3x25mm
2 = NBR Flat Gasket + Fixing Screw M3x25mm
3 = Silicone Profile Gasket + Fixing Screw M3x25mm
4 = Silicone Flat Gasket + Fixing Screw M3x25mm
P = NBR Integrated Gasket + Fixing Screw with Washer M3x27mm Assembled on Connector
R = NBR Integrated Gasket + Fixing Screw with Washer M3x27mm NOT Assembled on Connector
T = NBR Profile Gasket + Fixing Screw with Washer M3x27mm

Earth PIN location (see insert orientation table):
1 = Double Earth on H6 & H12
2 = Earth on H12
3 = Earth on H3
4 = Double Earth on H3 & H9
6 = Earth on H6
9 = Earth on H9


CABLE SPECIFICATION:

CABLE TYPE	NO. OF WIRES	CROSS SECTION	CABLE O.D.	CABLE JACKET	UL	CSA	STATIC: TEMP. / BENDING RADIUS	DYNAMIC: TEMP. / BENDING RADIUS	SHIELD
A2	3	AWG 20	5.6mm±0.2	PVC BLACK	UL 2661	CSA C22.2	-30°C to +105°C, 10xO.D.	-5°C to +105°C, 15xO.D.	-
A3	3	AWG 18	6.5mm±0.25	PVC BLACK	UL 2661	CSA C22.2	-30°C to +105°C, 10xO.D.	-5°C to +105°C, 15xO.D.	-
B2	3	AWG 20	5.6mm±0.2	PUR BLACK	UL 20668	CSA C22.2	-40°C to +90°C, 5xO.D.	-25°C to +90°C, 10xO.D.	-
B3	3	AWG 18	6.5mm±0.2	PUR BLACK	UL 20668	CSA C22.2	-40°C to +90°C, 5xO.D.	-25°C to +90°C, 10xO.D.	-
I0	3	1mm ²	7.6mm±0.2	PVC GREY	-	-	-25°C to +70°C, 10xO.D.	-5°C to +70°C, 15xO.D.	YES
I2	3	0.5mm ²	5.5mm+0.3	PVC GREY	-	-	-25°C to +70°C, 10xO.D.	-5°C to +70°C, 15xO.D.	-
I4	3	1mm ²	7.1mm+0.2	PVC GREY	-	-	-25°C to +70°C, 10xO.D.	-5°C to +70°C, 15xO.D.	-
N0	3	1mm ²	7.6mm±0.2	PVC BLACK	-	-	-20°C to +70°C, 3xO.D.	-5°C to +70°C, 5xO.D.	-
N1	3	0.75mm ²	5.5mm±0.2	PVC BLACK	-	-	-30°C to +70°C, 3xO.D.	-5°C to +70°C, 5xO.D.	-
N2	3	0.5mm ²	5.6mm±0.7	PVC BLACK	-	-	-20°C to +70°C, 3xO.D.	-15°C to +70°C, 5xO.D.	-
N3	3	0.75mm ²	6.8mm±0.8	PVC BLACK	-	-	-20°C to +70°C, 3xO.D.	-15°C to +70°C, 5xO.D.	-
N4	3	1mm ²	7.15mm±0.85	PVC BLACK	-	-	-20°C to +70°C, 3xO.D.	-15°C to +70°C, 5xO.D.	-
N5	3	1.5mm ²	8.4mm±1	PVC BLACK	-	-	-20°C to +70°C, 3xO.D.	-15°C to +70°C, 5xO.D.	-
P2	3	0.5mm ²	5.5mm+0.3	PUR BLACK	-	-	-40°C to +90°C, 7.5xO.D.	-15°C to +90°C, 12.5xO.D.	-
P3	3	0.75mm ²	6.5mm±0.2	PUR BLACK	-	-	-40°C to +90°C, 7.5xO.D.	-15°C to +90°C, 12.5xO.D.	-
R4	3	1mm ²	7.1mm±0.2	TPR HF BLACK	-	-	-	-	-
Y3	3	0.75mm ²	6.5mm±0.2	SILICONE RED	-	-	-60°C to +180°C, 15xO.D.	-	-

TABLE 1

MOLEX P/N	ENGINEERING NO.	L [mm]
1210401504	E311N2N1001P	1000
1210401400	E312N2N10K11	10000
1210401399	E312N2N50011	5000
1210401142	E312N3N10011	1000
1210400349	E312N3N20011	2000
1210400353	E312N3N2501R	2500
1210401272	E312N3N30011	3000
1210401081	E312N4N2501R	2500
1210400971	E313N2N20021	2000
1210400364	E313N3N20022	2000
1210400368	E313N3N50062	5000
1210400857	E313P3N1002T	1000

THIS DRAWING CONTAINS INFORMATION THAT IS PROPRIETARY TO MOLEX ELECTRONIC TECHNOLOGIES, LLC AND SHOULD NOT BE USED WITHOUT WRITTEN PERMISSION

DIMENSION UNITS	SCALE	CURRENT REV DESC: OBSOLETE PART NO	
mm	1:1	 CAB311N PVCH03 1MT 0.5MMQ	
GENERAL TOLERANCES (UNLESS SPECIFIED)			
ANGULAR TOL	± 1.0°		
4 PLACES	±		
3 PLACES	±	EC NO: 628886	2019/08/23
2 PLACES	± 0.05	DRWN: RPRABHUM	2020/01/13
1 PLACE	± 0.3	CHK'D: GGA	2020/01/13
0 PLACES	± 0.5	APPR: GGA	2020/01/13
DRAFT WHERE APPLICABLE MUST REMAIN WITHIN DIMENSIONS		INITIAL REVISION:	
THIRD ANGLE PROJECTION		DRWN: DSOPPIN	2018/09/17
DRAWING		APPR: RSILLER	2018/10/12
SERIES		DOCUMENT NUMBER	
A3-SIZE		1210401504	
MATERIAL NUMBER		DOC TYPE	DOC PART
SEE TABLE 1		PSD	000
CUSTOMER		REVISION	
GENERAL MARKET		A1	
SHEET NUMBER		2 OF 2	