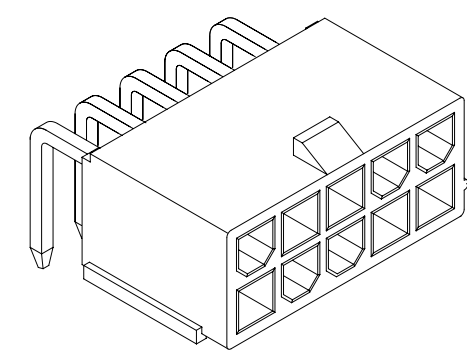
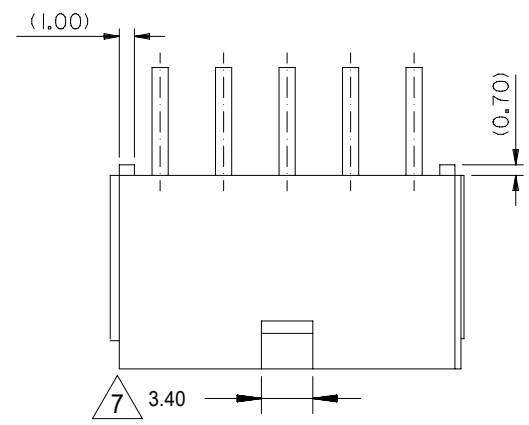


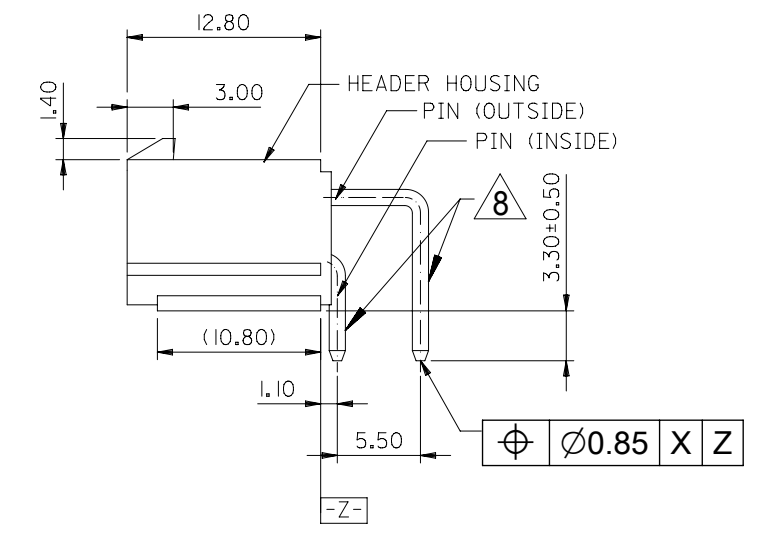
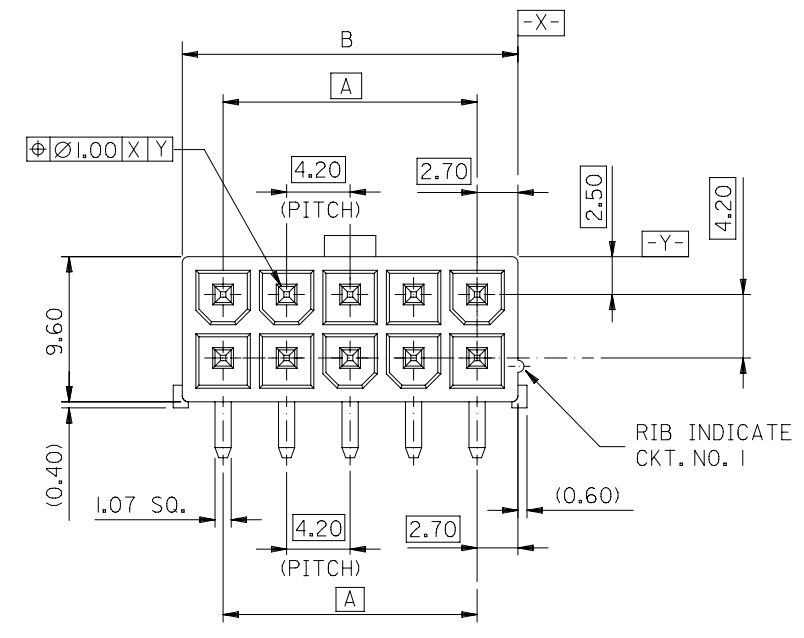
51.60±0.55	46.20	24
47.40±0.55	42.00	22
43.20±0.50	37.80	20
39.00±0.45	33.60	18
34.80±0.35	29.40	16
30.60±0.30	25.20	14
26.40±0.30	21.00	12
22.20±0.30	16.80	10
18.00±0.30	12.60	8
13.80±0.25	8.40	6
9.60±0.25	4.20	4
5.40±0.20	--	2
B	A	CKT. SIZE



ISOMETRIC VIEW

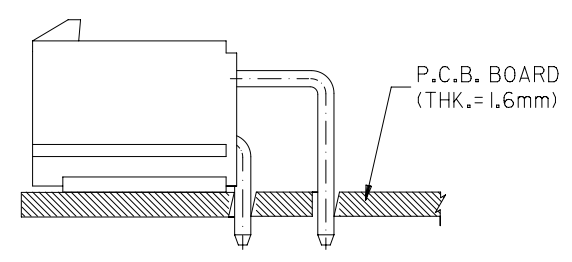
LEGEND

- 87427-****
- CKT. SIZE (SEE SHEET 2).
- PLATING OPTIONS
 2 = NOTE/2.2
 4 = NOTE/2.2
- PACKAGING & COLOR OPTIONS 4
 0 = TRAY PACKED - COLOR BEIGE
 2 = TUBE PACKED - COLOR BEIGE
 3 = TAPE & REEL PACKED - COLOR BEIGE
 7 = TRAY PACKED - COLOR BLACK

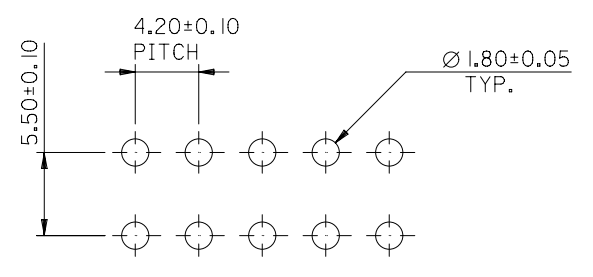


NOTES

- MATERIALS:
 - HEADER: NYLON 46, UL94V-0, COLOR SEE LEGEND.
 - PIN: BRASS
- FINISH- PLATING OF PIN:
 2.2 MATTE TIN .00254 MIN. OVER NICKEL .00127 MIN.
- PRODUCT SPECIFICATION: PS-87427-0001.
- PACKAGING SPECIFICATION:
 TRAY PACK PER PK-87427-001.
 TAPE & REEL PACK PER PK-87427-009.
- MATES WITH: MINI-FIT JR. RECEPTACLE SERIES 5557.
- THESE PARTS CONFORM TO CLASS "B" REQUIREMENTS OF COSMETIC SPECIFICATION PS-45499-002.
- THIS DIMENSION IS 4.2 ON 2 CKT PARTS.
- FORMING MARKS ARE ACCEPTABLE
- DISCOLORATION IN THE BANDOLIER CARRIER AREA OF THE PIN IS INHERENT TO THE PLATING PROCESS AND IS DUE TO THE MASKING EFFECT OF THE CARRIER. THIS DISCOLORATION IS IN A NON-FUNCTIONAL AREA OF THE PIN AND WILL NOT AFFECT THE PERFORMANCE OF THE HEADER ASSEMBLY.
- PARTS ARE NOT DESIGNED FOR CURRENT SHARING.
- CONNECTORS ARE NOT TO BE MATED AND UNMATED WHILE CIRCUITS ARE LIVE.



RECOMMENDED INSTALLATION PATTERN



RECOMMENDED P.C.B. LAYOUT

SYMBOLS	THIS DRAWING CONTAINS INFORMATION THAT IS PROPRIETARY TO MOLEX ELECTRONIC TECHNOLOGIES, LLC AND SHOULD NOT BE USED WITHOUT WRITTEN PERMISSION			
	DIMENSION UNITS	SCALE	CURRENT REV DESC: ADDED T&R P/N'S	
▽ = 0	MM ONLY	2:1	molex 4.2MM W-T-B, RIGHT ANGLE HEADER WITHOUT MOUNTING FLANGES	
▽ = 0	GENERAL TOLERANCES (UNLESS SPECIFIED)			
▽ = 0		MM	INCH	EC NO: 643503 DRWN: EHAUGERUD 2020/08/17 CHK'D: DSTEIER 2020/08/26 APPR: FSMITH 2020/08/27
S = 0	4 PLACES	±	±	
▽ = 0	3 PLACES	±	±	INITIAL REVISION: DRWN: STEVEN 1995/02/27 APPR: FSMITH 2010/04/09
▽ = 0	2 PLACES	± 0.2	±	
▽ = 0	1 PLACE	± 0.2	±	DOCUMENT NUMBER: 874270000-SD DOC TYPE: PSD DOC PART: 000 REVISION: A1
⊠ = 0	0 PLACES	±	±	
▽ = 0	ANGULAR TOL	± 3.0 °		MATERIAL NUMBER: SEE CHART CUSTOMER: GENERAL MARKET SHEET NUMBER: 1 OF 2
■ = 0	DRAFT WHERE APPLICABLE MUST REMAIN WITHIN DIMENSIONS		THIRD ANGLE PROJECTION	
▽ = 0			DRAWING: C-SIZE	SERIES: 87427

