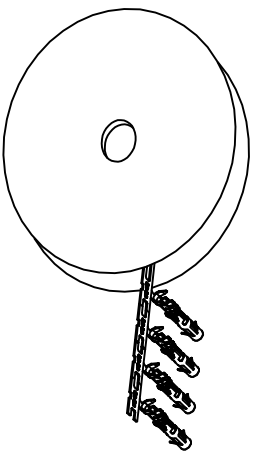


| REVISIONS | | | | |
|-----------|-----|------------------|-----------|------------|
| REV | ECO | DESCRIPTION | DATE | BY APPR |
| A1 | - | RELEASED DRAWING | Jul-16-18 | Flan Tommy |

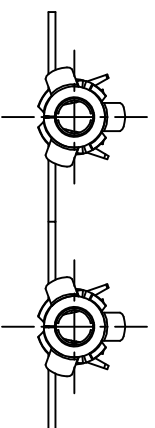
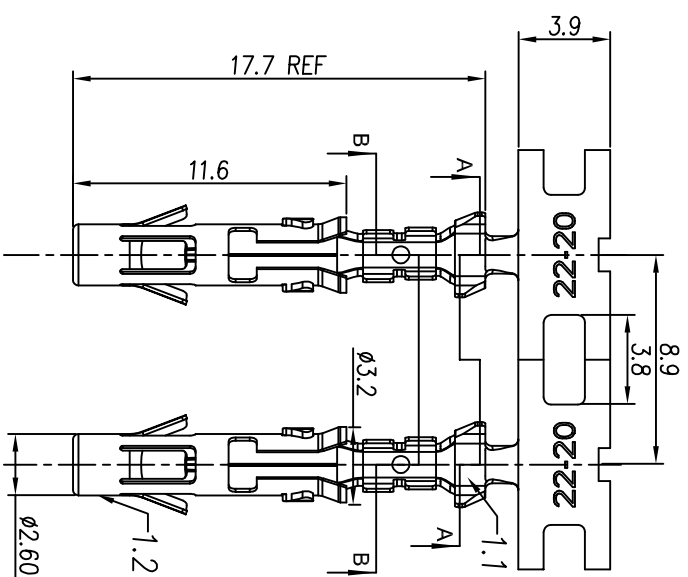
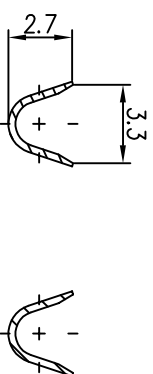
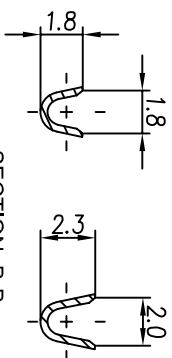


CONTACT ORIENTATION ON ROLL (3000PCS/COIL)

NOTES : (UNLESS OTHERWISE SPECIFIED)

1. MATERIAL :
 - 1.1. CONTACT BODY : COPPER ALLOY.
 - 1.2. OUTER SPRING : STAINLESS STEEL.
2. SPECIFICATIONS :
 - 2.1 CURRENT RATING : 13A MAX.
 - 2.2 TERMINATION TYPE : CRIMPING.
 - 2.3 WIRE RANGE : 20~22AWG.
 - 2.4 WIRE INSULATION DIA(MAX) : ϕ 2.5mm.
3. ROHS COMPLIANT.
4. ALL DIMENSIONS ARE FOR REFERENCE USE ONLY.
5. AVAILABLE TOOLS :
 - 5.1 HAND CRIMPER : MFX-3954.
 - 5.2 CRIMP APPLICATOR : MFX-3957.
 - 5.3 EXTRACTION TOOL : QXRTL16.

| P/N | CONTACT PLATING(MATING AREA) |
|-----------|-------------------------------------|
| SS20M2T | TIN PLATING OVER NICKEL. |
| SS20M2N | NICKEL PLATING OVER COPPERIZE. |
| SS20M2F | GOLD FLASH PLATING OVER NICKEL. |
| SS20M2G5 | 5 μ "GOLD PLATING OVER NICKEL. |
| SS20M2G10 | 10 μ "GOLD PLATING OVER NICKEL. |
| SS20M2G15 | 15 μ "GOLD PLATING OVER NICKEL. |
| SS20M2G30 | 30 μ "GOLD PLATING OVER NICKEL. |



| QUANTITY | PART NUMBER | DESCRIPTION | ITEM |
|----------|-------------|-------------|------|
| | | | |

MATERIALS LIST

| UNLESS OTHERWISE SPECIFIED | SIGNATURES | DATE | ECO-MATE SOCKET CONTACT, STAMPED 22-20AWG, SIZE 16 |
|--|---|--|--|
| 1) All dimensions are in millimeters. 2) Tolerances are as follows: 1 PL DEC 2010 Fractions 1/16" 3 PL DEC 2010 Angles 1° | DRW: Flan CHK: Jid ENGR: Jid APPROV: Tommy | Jul-16-18 Jul-16-18 Jul-16-18 Jul-16-18 | Amphenol Sine Systems - www.amphenol-sine.com 44724 Morley Drive Clinton Township, MI 48036 |

| PROCESS SPECIFICATIONS | MATERIAL SPECIFICATIONS | CUSTOMER | SIZE | TYPE | DWG NO | REVISION |
|------------------------------|-------------------------|----------|------|------|----------|----------|
| 1) Note reference = Δ | | Tommy | B | C- | SS20M2XX | A1 |