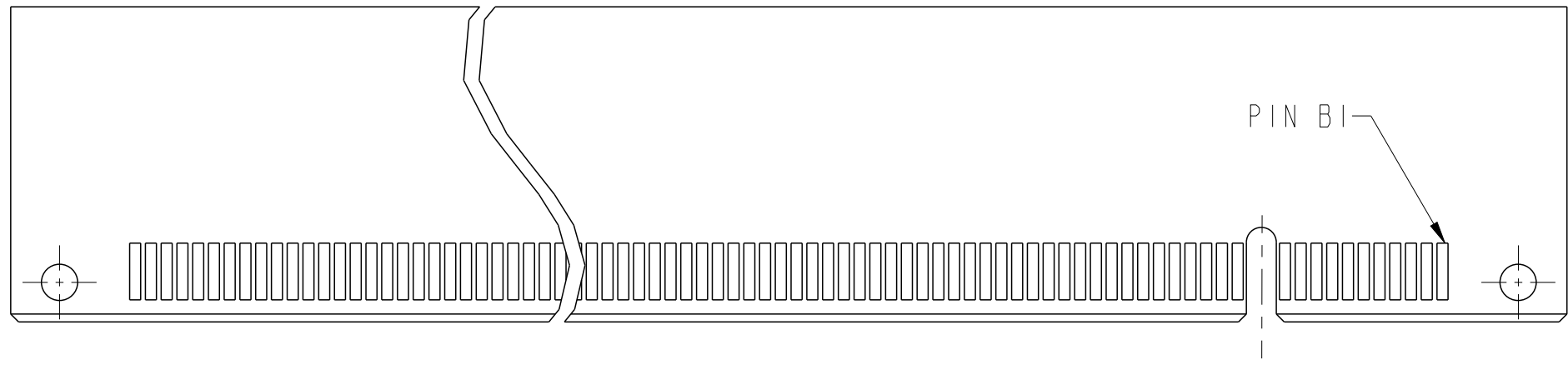
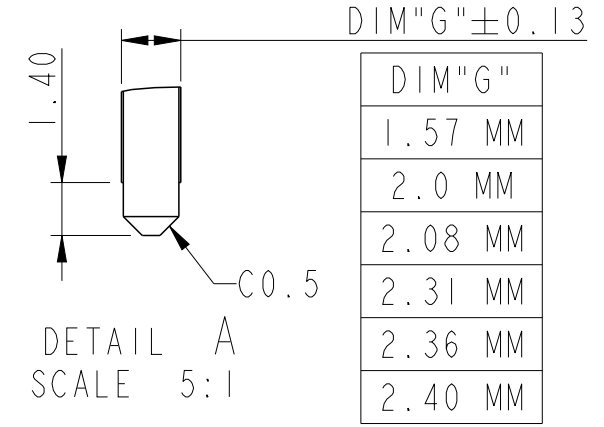
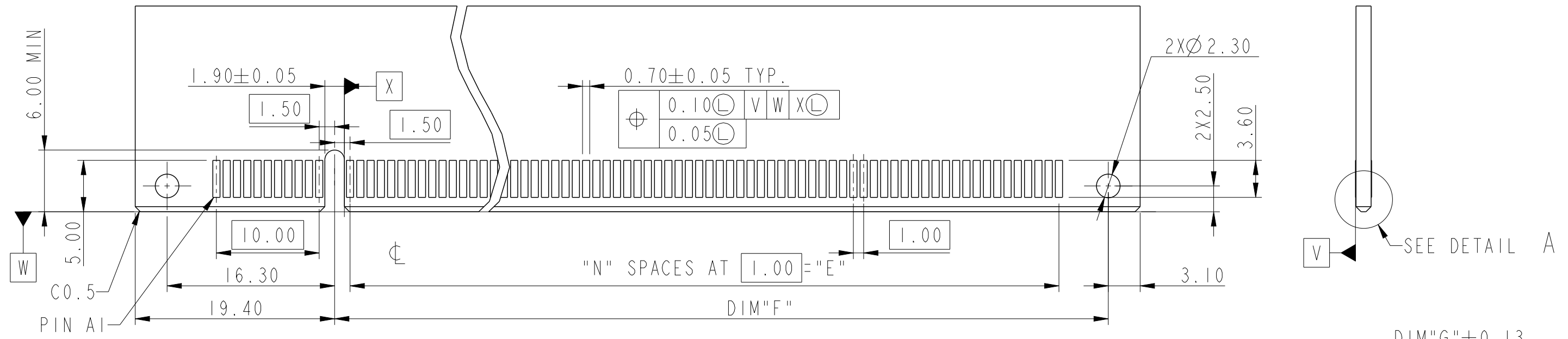


CONNECTOR LINK WIDTH	#POS REF	N	DIM"A"	DIM"B"	DIM"C"	DIM"D"	DIM"E"
X1	36	6	7.65	25.00	12.30	34.8	6.00
X4	64	20	21.65	39.00	26.30	48.8	20.00
X8	98	37	38.65	56.00	43.30	65.8	37.00
X16	164	70	71.65	89.00	76.30	98.8	70.00

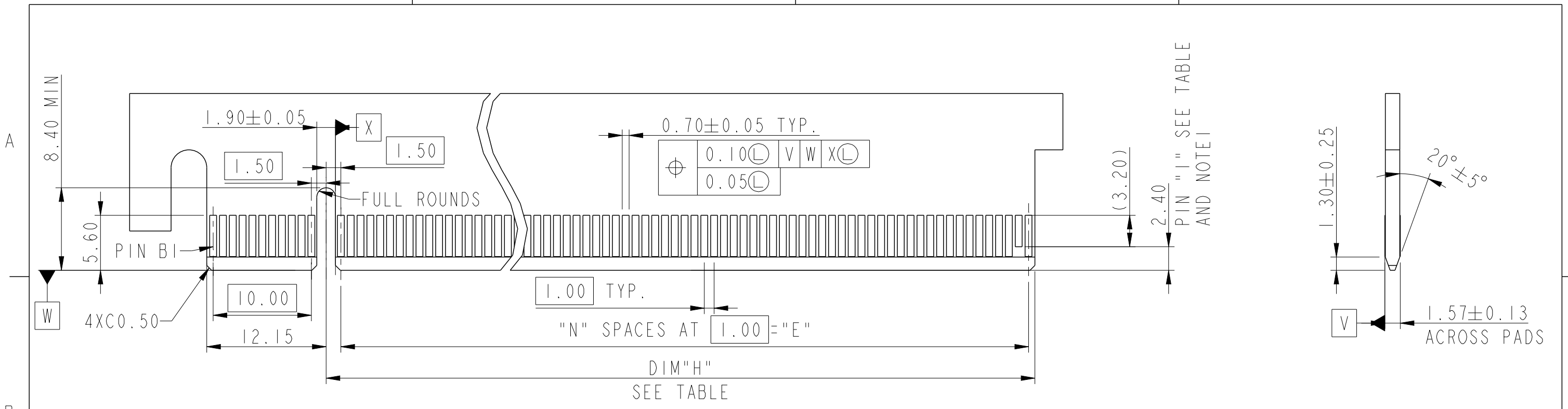
spec ref	dr	Eric Jiang	2014/07/20	projection	MM	size	A3	scale	2:1
tolerance std	eng	Zhen-Hua Liu	2018/07/09			ecn no	ELX-DG-30553-1		
ASME Y14.5	chr	-	rel level			Released			
surface  linear ASME Y14.5 angular	0.X	±0.30	<b>Amphenol FCI</b> PCI EXPRESS 3.0 STRADDLE MOUNT www.fci.com	product family PCI EXPRESS 3.0 STRADDLE MOUNT	cat. no.	dwg no 10125756	rev <b>B</b>	Product-Customer Drw	
	0.XX	±0.20						sheet 1 of 4	
	0.XXX	±0.1							
ASME Y14.5	angular	0°	±2°						



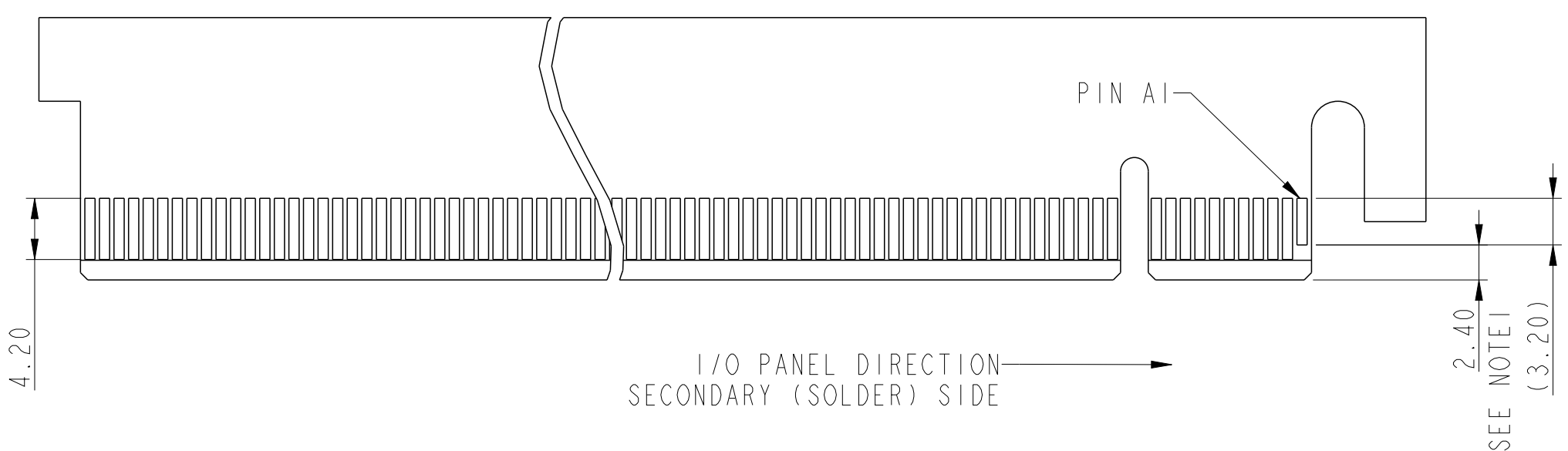
RECOMMENDED PCB LAYOUT

POSITION	N	DIM"F"
36	6	12.30
64	20	26.30
98	37	43.30
164	70	76.30

spec ref	dr	Eric Jiang	2014/07/20	projection	MM	size	A3	scale	2:1
tolerance std	eng	Zhen-Hua Liu	2018/07/09			ecn no	ELX-DG-30553-1	rel level	Released
ASME Y14.5	chr	-	-						
surface  linear ASME Y14.5 angular	0.X	±0.30	<b>Amphenol FCI</b> PCI EXPRESS 3.0 STRADDLE MOUNT www.fci.com	cat. no.	Product-Customer Drw	dwg no	10125756	rev	B
	0.XX	±0.20							
	0.XXX	±0.1							
	0°	±2°							sheet 2 of 4



1. NO TIE BAR PERMITTED FROM CARD EDGE TO LEADING EDGE OF PAD FOR PINS AI AND PIN "I".
2. CHAMFER EDGES MUST BE FREE OF CUTTING BURRS.
3. TOLERANCE : ± 0.13



POSITION	N	DIM"H"	PIN"1" (SEE NOTE 1)
36	6	8.15	B17
64	20	22.15	B31
98	37	39.15	B48
164	70	72.15	B81

spec ref	dr	Eric Jiang	2014/07/20	projection	MM	size	A3	scale	2:1
tolerance std	eng	Zhen-Hua Liu	2018/07/09			ecn no	ELX-DG-30553-1	rel level	Released
ASME Y14.5	chr	-	-						
surface		linear	0.X	±	<b>Amphenol FCI</b> PCI EXPRESS 3.0 STRADDLE MOUNT	dwg no	10125756	rev	B
		ASME Y14.5	angular	0°					
www.fci.com		cat. no.		Product-Customer Drw			sheet 3 of 4		

NOTES:

- MATERIAL:  
HOUSING: HIGH PERFORMANCE RESINS, BLACK.  
CAP: HIGH PERFORMANCE RESINS, BLACK.  
CONTACT: COPPER ALLOY.
- PLATING:  
UNDERPLATE: 50 u" MIN NICKEL OVER ALL  
SOLDER AREA: 100 u" MIN TIN (LEAD FREE)  
MATING AREA: SEE PRODUCT PART NUMBER.
- PRODUCT SPECIFICATION: GS-12-1193
- PACKAGE SPECIFICATION: GS-14-2401.
- PRODUCT MEETS EUROPEAN UNION DIRECTIVES AND OTHER COUNTRY REGULATIONS AS DESCRIBED IN GS-22-008.
- ONLY P/N 10125756-XXXX10XX CAN GO IR REFLOW PROCESS.
- DATE CODE BE PRINTED ON PROPER SURFACE.

PRODUCT PART NUMBER:

10125756- X X X X X X X X

NO. OF POSITION  
36:36 POSITIONS  
64:64 POSITIONS  
98:98 POSITIONS  
A4:164 POSITIONS

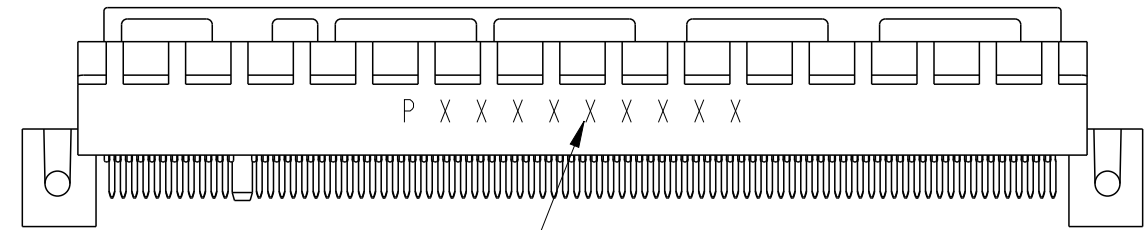
PCB THICKNESS OPTION  
0:1.57 MM  
1:2.0/2.08 MM  
2:2.31/2.36/2.4 MM  
3:1.57 MM(SOLDER TAIL GAP=(1.35MM))

LEAD FREE OPTION  
LF:LEAD FREE

RESERVE  
0

CAP OPTION (SEE NOTE 6)  
0:WITHOUT CAP  
1:CAP

CONTACT PLATING  
0:15 u" Au  
1:30 u" Au  
2:15 u" GXT



DATA CODE INFORMATION

P X X X X X X X X X

PRODUCTION LINE CODE  
DATE CODE THROUGH 01 TO 31  
WEEK NUMBER 01 THROUGH 53  
YEAR CODE; MOST RIGHT OF DIGIT OF PRODUCTION. (e.g 2007=7)  
MANUFACTURE SITE; 2 FOR DONGGUAN SOURCE, P FOR CHINA

Amphenol FCI

© 2016 AFCI

spec ref		dr	Eric Jiang	2014/07/20	projection	MM	size	A3	scale	2:1
tolerance std		eng	Zhen-Hua Liu	2018/07/09			ecn no		ELX-DG-30553-1	
ASME Y14.5		chr	-	-			rel level		Released	
surface		appr	Nickor Zuo	2018/07/11	product family		PCI EXPRESS 3.0		dwg no	
ASME Y14.5				<b>Amphenol FCI</b> www.fci.com		STRADDLE MOUNT		10125756		rev
		linear		0.X ±0.30						B
				0.XX ±0.20						
				0.XXX ±0.1						
		angular		0° ±2°						
				cat. no.		Product-Customer Drw		sheet 4 of 4		