

MATERIALS AND FINISHES

BODY ZINC ALLOY
PLATED NICKEL

CENTER CONTACT PHOSPHOR BRONZE
PLATED GOLD

INSULATOR POLYPROPYLENE(94 V-2)

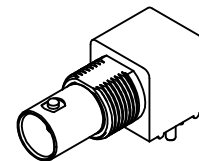
HOUSING POLYESTER BUTLYENE TEREPHTHALATE
COLOR WHITE

MOUNTING POST BRASS
PLATED TIN

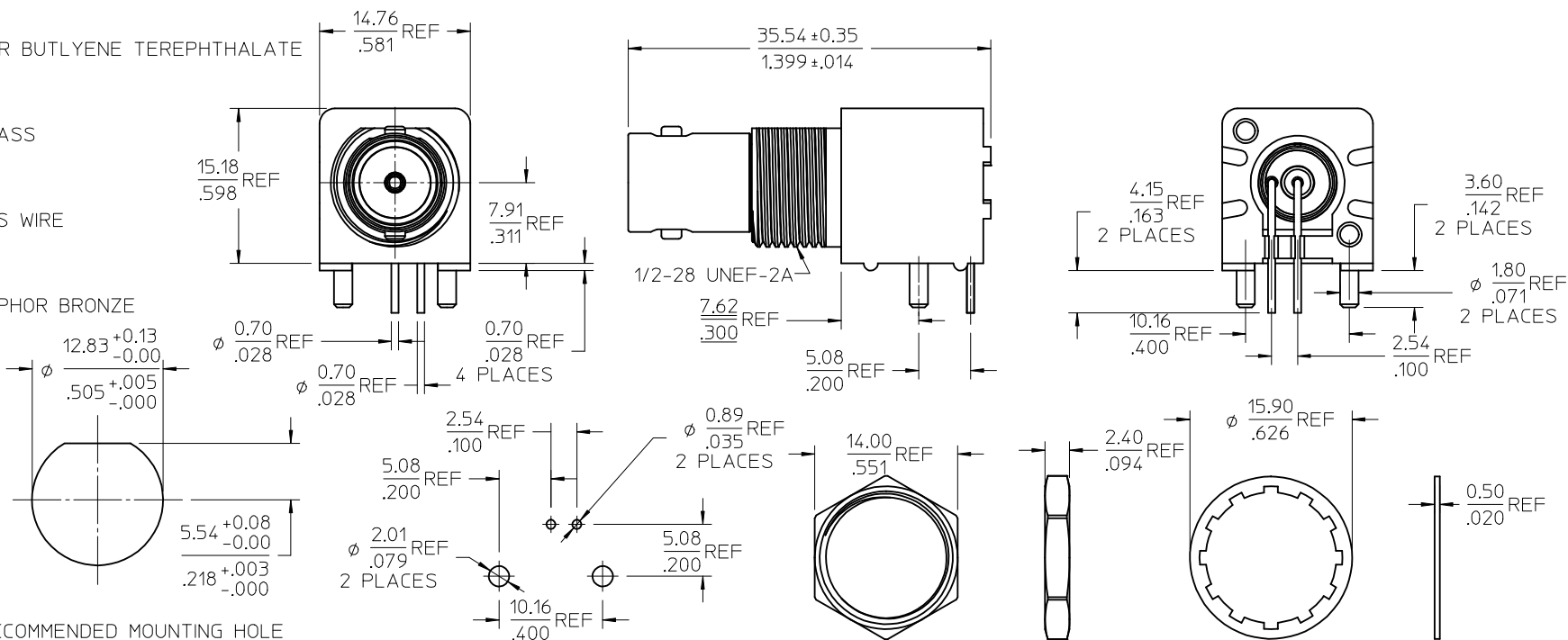
SOLDER TAIL BRASS WIRE
PLATED TIN

LOCKWASHER PHOSPHOR BRONZE
PLATED NICKEL

JAM NUT BRASS
PLATED NICKEL



BNC JACK
INTERFACE



RECOMMENDED MOUNTING HOLE
PANEL THICKNESS: 5.50(.217) MAX
RECOMMENDED MOUNTING TORQUE:
0.56 N-m(5 INCH-LBS)

RECOMMENDED PCB LAYOUT

JAM NUT

LOCKWASHER

| | |
|---------------|-----------------------|
| PS-73598-0051 | PRODUCT SPECIFICATION |
| ES-73599-0000 | INTERFACE |
| SPECIFICATION | DESCRIPTION |

| | |
|------------|-------------------------|
| 73171-3010 | 73100-0071, ONE PER BAG |
| 73100-0071 | TRAY PACK |
| PART NO. | PACKAGING |

| | | | | | | | | |
|---|--|---|---|---|---|---------------------------|--|---------------------|
| CHG: REDREW IN SD ADDED P/N 73171-3010 EC NO: URF-2007-0396 DRW: TELAHERTY 2007/05/01 CHKD: SHAH 2007/05/01 APPR: WENER 2007/05/01 REV: A3 | QUALITY SYMBOLS ▽=0 ▽=0 | GENERAL TOLERANCES (UNLESS SPECIFIED) mm INCH 4 PLACES ± --- ± --- 3 PLACES ± --- ± --- 2 PLACES ± --- ± --- 1 PLACE ± --- ± --- ANGULAR ± 2° | DIMENSION STYLE MM/IN DRAWN BY DATE C.M. HUANG 1993/02/01 CHECKED BY DATE APPROVED BY DATE | SCALE DESIGN UNITS METRIC THIRD ANGLE PROJECTION | TITLE BNC JACK, R/A BULKHEAD PCB, 75 OHMS BNC-J/RA/BLK/PCB | MATERIAL NO. SEE TABLE | DOCUMENT NO. SD-73100-0071 | SHEET NO. 1 OF 1 |
| | DRAFT WHERE APPLICABLE MUST REMAIN WITHIN DIMENSIONS | | | MOLEX INCORPORATED | | | THIS DRAWING CONTAINS INFORMATION THAT IS PROPRIETARY TO MOLEX INCORPORATED AND SHOULD NOT BE USED WITHOUT WRITTEN PERMISSION | |