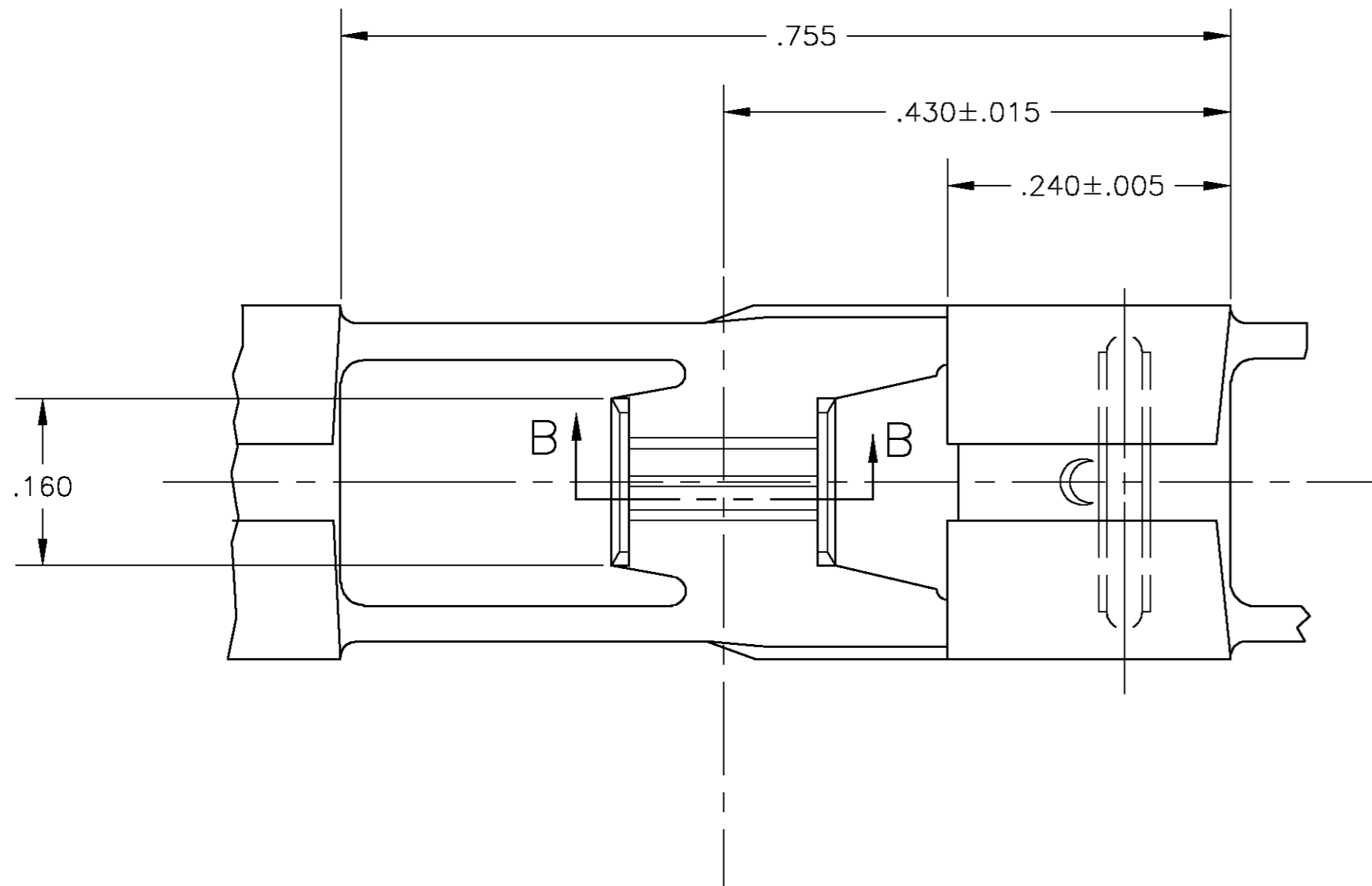
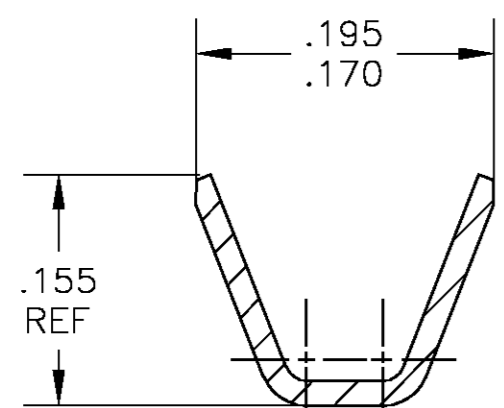
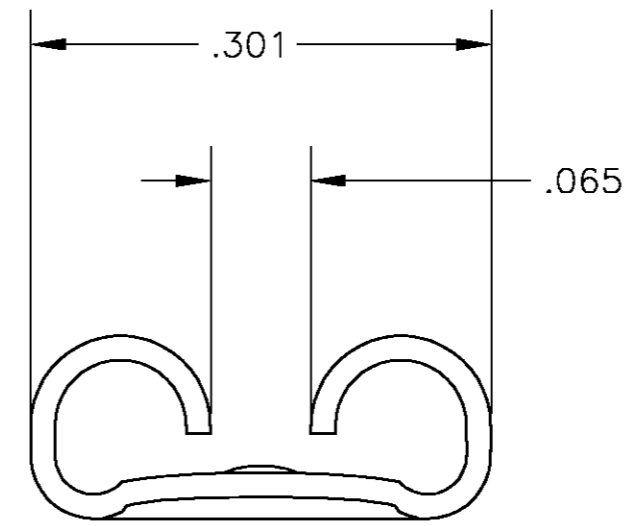
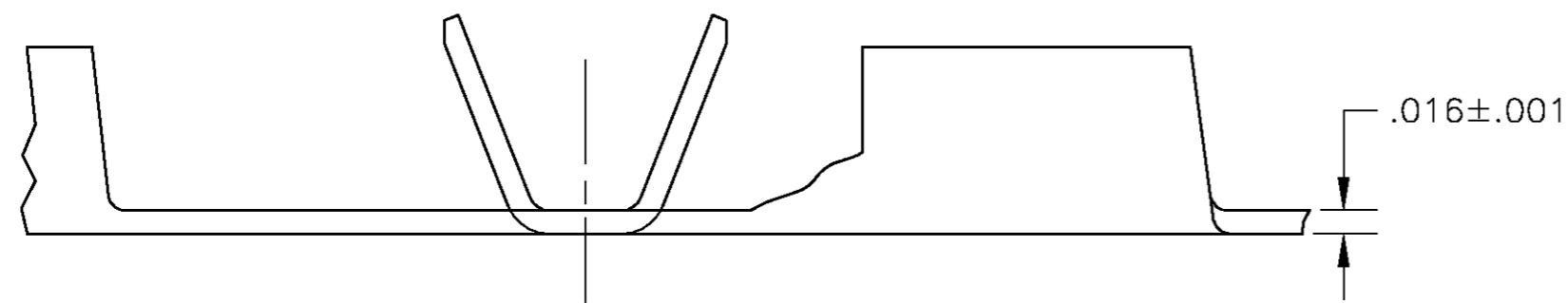


THIS DRAWING IS UNPUBLISHED. RELEASED FOR PUBLICATION
 © COPYRIGHT BY TYCO ELECTRONICS CORPORATION. ALL RIGHTS RESERVED.

LOC	DIST	REVISIONS					
		P	LTR	DESCRIPTION	DATE	DWN	APVD
AF	50	J		REL PER 0G3A-0101-05	14FEB05	JR	PD



- 1 CONTINUOUS STRIP ON REELS.
- 2 WIRE SIZE IS #18-#14 AWG.
- 3 MATING TAB SIZE IS .032±.001
- 4 REVERSE REELING OF 1217972-1



SECTION B-B

4	1217972-2
	1217972-1
	PART NO

THIS DRAWING IS A CONTROLLED DOCUMENT.		DWN 26JUN2003 MICHAEL S. FEHER	Tyco Electronics Corporation Harrisburg, PA 17105	
DIMENSIONS: INCHES		CHK 26JUN2003 PETE DESANTIS		
TOLERANCES UNLESS OTHERWISE SPECIFIED:		APVD 26JUN2003 PETE DESANTIS	NAME	
0 PLC ± -	1 PLC ± -	PRODUCT SPEC	RECEPTACLE, FASTON, FLAG, .250 SERIES	
2 PLC ± -	3 PLC ± .010	APPLICATION SPEC	SIZE	CAGE CODE
4 PLC ± -	ANGLES ± 1°	WEIGHT	A2	00779
MATERIAL	FINISH	CUSTOMER DRAWING	DRAWING NO	
C.R.STEEL	.000150 MIN NICKEL	SCALE 8:1	C=1217972	
		SHEET 1 OF 1	RESTRICTED TO	
		REV J		

1217972

A