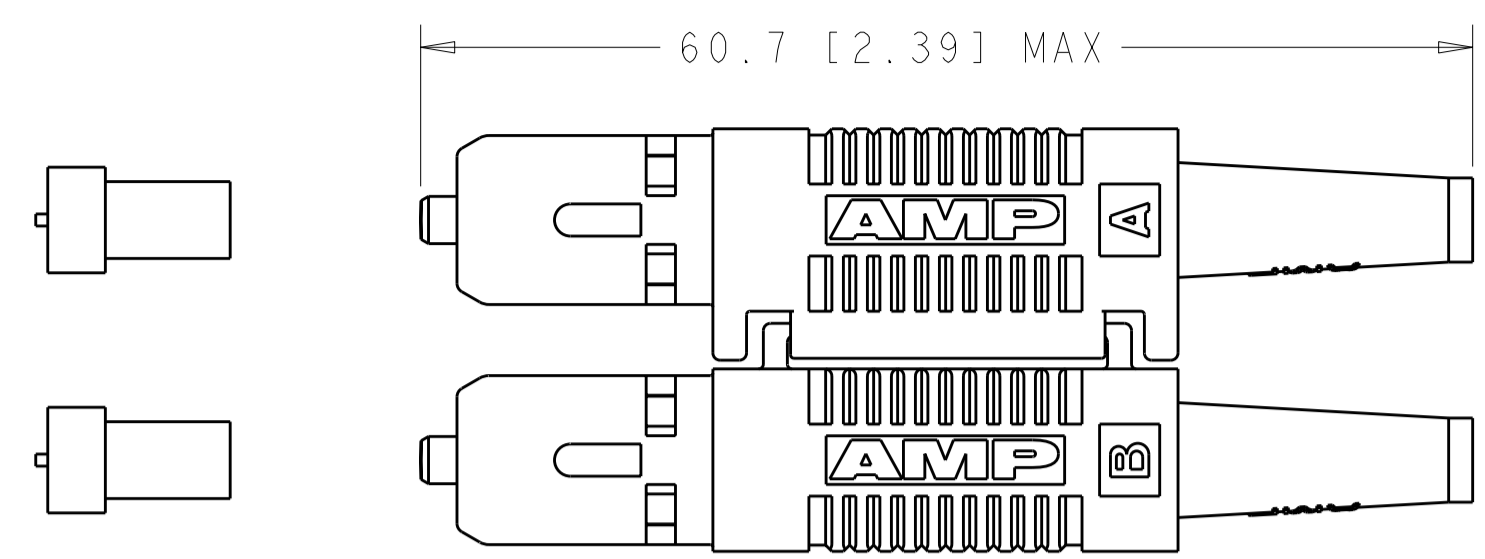


THIS DRAWING IS UNPUBLISHED. RELEASED FOR PUBLICATION 20
 © COPYRIGHT 20 BY TYCO ELECTRONICS CORPORATION. ALL RIGHTS RESERVED.

LOC		DIST		REVISIONS			
P	LTR	DESCRIPTION	DATE	DWN	APVD		
	A	RELEASE TO ACTIVE	08JUN2006	BB	LS		
	A1	ADD NOTE 2	12MAR2009	BB	SB		



MATERIAL:
 CONNECTOR HOUSING: POLYESTER PBT, COLOR: BEIGE
 PLUG ASSEMBLY:
 PLUG BODY: PAS, COLOR: BEIGE*
 INTERNAL BODY: BRASS, NICKEL PLATED
 INTERNAL COMPONENTS: RUBBER, COLOR: BLACK
 FERRULE: CERAMIC
 FERRULE BASE: ALUMINUM ALLOY
 PLUNGER: ALUMINUM ALLOY
 SPRING: STAINLESS STEEL
 FRONT PROTECTIVE COVER: LDPE, COLOR: BLACK
 REAR PROTECTIVE COVER: VINYL, COLOR: RED
 CRIMP EYELET: COPPER, TIN PLATED
 INNER EYELET: BRASS
 POLYMER TUBING: TYGON, COLOR: CLEAR
 HYTREL, COLOR: WHITE
 STRAIN RELIEF/BOOT: POLYOLEFIN ELASTOMER, COLOR: BEIGE*
 *UL94 V-0 RATED AT QUALIFYING THICKNESS.

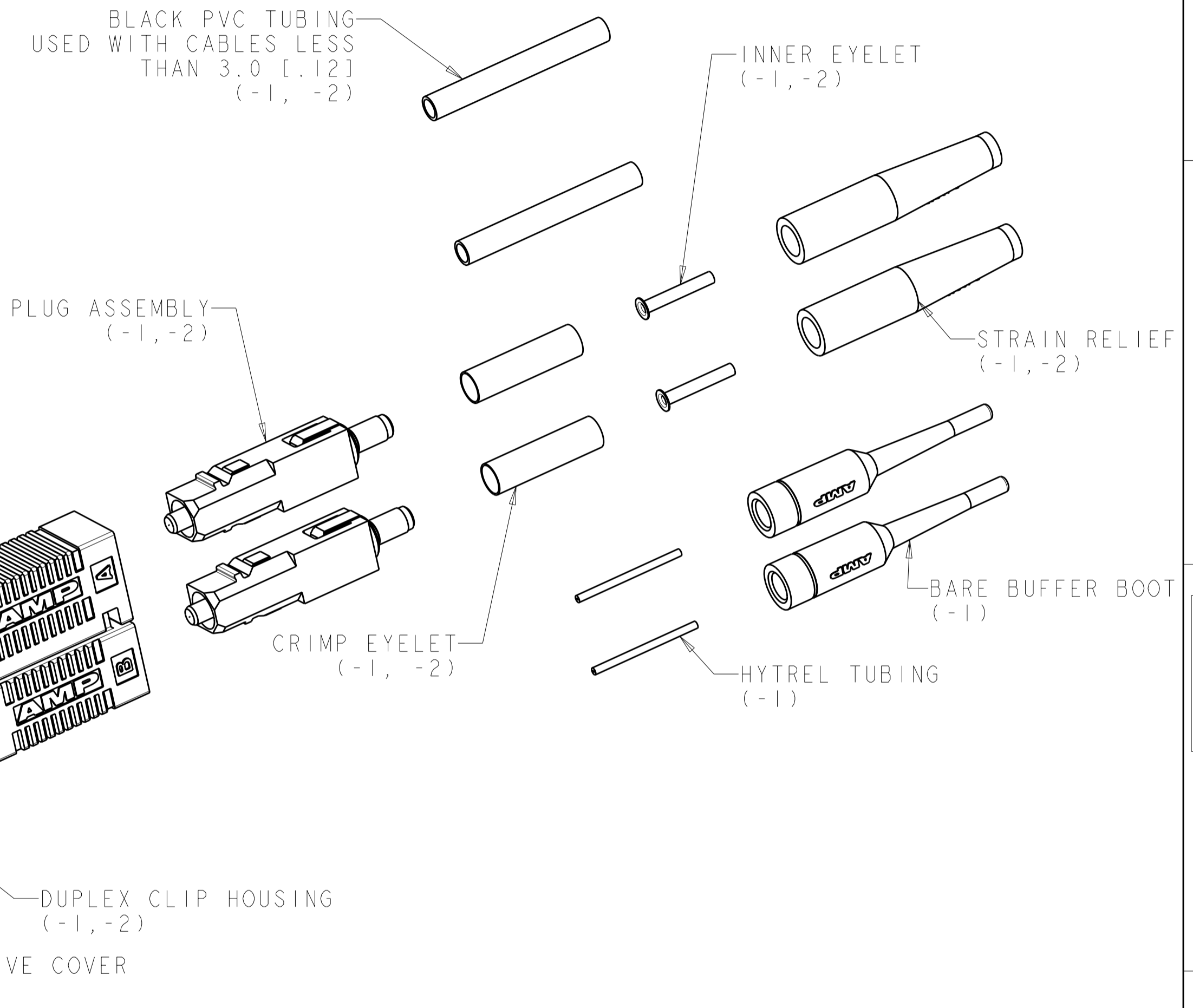
2. INSTRUCTION SHEET: 408-4066 AVAILABLE FOR DOWNLOAD AT
www.tycoelectronics.com/documents OR
www.ampnetconnect.com/foguide.

3. KIT 5503693-1 CONTAINS ALL PARTS SHOWN AND WILL TERMINATE:
 900um TIGHT BUFFERED FIBER
 250um COATED FIBER
 2.5-3.0mm JACKETED CABLE

THE BARE BUFFER BOOTS AND STRAIN RELIEFS ARE BEIGE.
 FOR 250um AND 900um APPLICATIONS
 TERMINATION MAY REQUIRE USE OF
 INSERTION TOOL, PART NUMBER 491042-1.

4. KIT 503693-2 DOES NOT CONTAIN BARE BUFFER BOOTS OR HYTREL TUBING.
 WILL TERMINATE 2.5-3.0mm JACKETED CABLE. CONTAINS ONE BEIGE AND
 ONE BLUE STRAIN RELIEF.

5. ANY JACKETED CABLE USED WITH SC CONNECTORS MUST ALLOW
 FOR THE AXIAL MOVEMENT OF THE BUFFERED FIBER IN THE CABLE
 JACKET WHICH OCCURS WHEN AN SC CONNECTOR IS MATED TO
 ANOTHER CONNECTOR OR DEVICE. CERTAIN CABLE CONSTRUCTIONS DO
 NOT ALLOW AXIAL MOVEMENT AND ARE NOT SUITABLE FOR USE WITH SC
 CONNECTORS. REFER TO INSPECTION SPECIFICATION 129-1496 FOR A METHOD
 OF DETERMINING WHETHER A GIVEN CABLE CONSTRUCTION ALLOWS
 AXIAL MOVEMENT (RESULT OF THE BUFFER PULL TEST SHOULD MEASURE
 LESS THAN 2 LBF).



FIBER SIZE	PART NUMBER
125±2um	5503693-2
125±2um	5503693-1

THIS DRAWING IS A CONTROLLED DOCUMENT FOR TYCO ELECTRONICS CORPORATION IT IS SUBJECT TO CHANGE AND THE CONTROLLING ENGINEERING ORGANIZATION SHOULD BE CONTACTED FOR THE LATEST REVISION.		DWN B. BRIGGS 21 JUN 2005	Tyco Electronics Harrisburg, PA 17105-3608	
DIMENSIONS: mm [INCHES]		CHK L. SAUERWEIN 21 JUN 2005	NAME KIT, CONNECTOR, AMP LightCrimp SC DUPLEX, MULTIMODE	
TOLERANCES UNLESS OTHERWISE SPECIFIED: 0 PLC ± 1 PLC ± 2 PLC ±0.13 [.005] 3 PLC ± 4 PLC ± ANGLES ± FINISH		APVD S. BUCHTER 21 JUN 2005	RESTRICTED TO	
MATERIAL		PRODUCT SPEC	SIZE A200779	CAGE CODE C-5503693
△		APPLICATION SPEC	SCALE 5:2 SHEET 1 OF 1 REV A1	
		WEIGHT	CUSTOMER DRAWING	