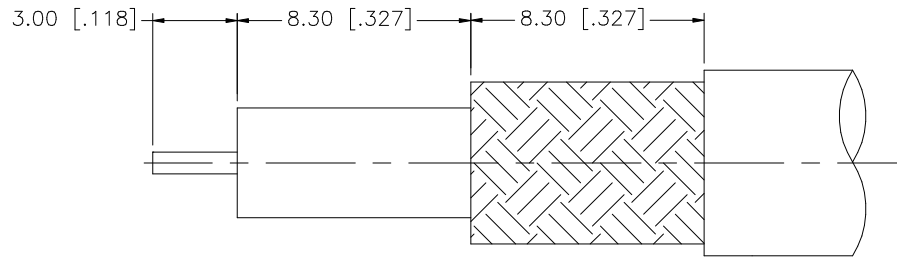
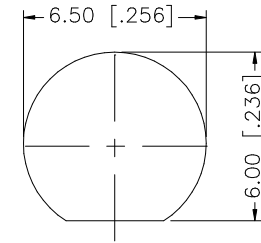


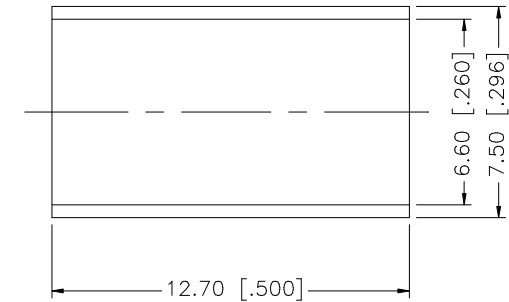
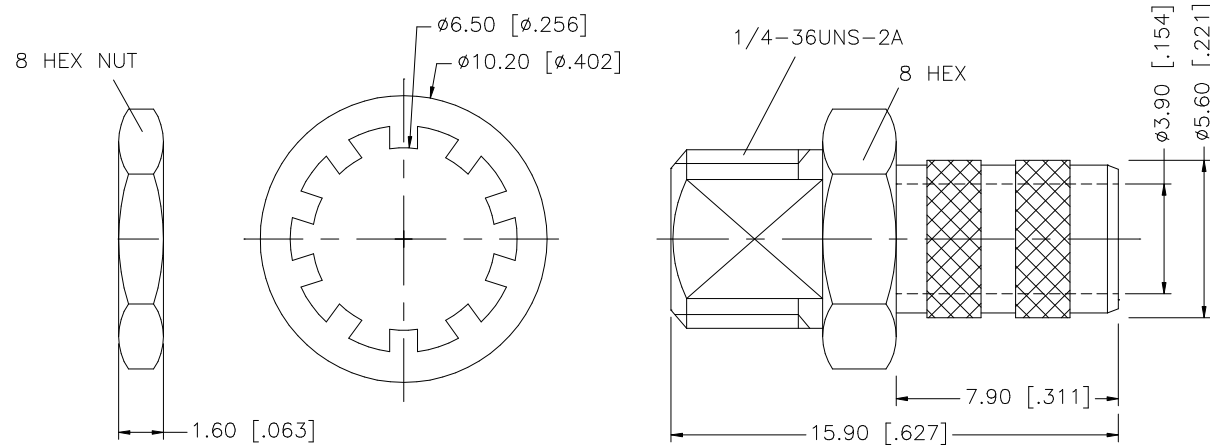
REV.	DATE	DESCRIPTION
NC	03/06/00	INITIAL RELEASE
A	12/15/05	UPDATE DRAWING FORMAT



RECOMMENDED
CABLE STRIPPING DIM'S



RECOMMENDED
MOUNTING HOLE



CRIMP NOTES:

1. CRIMPED FERRULE
HEX CRIMP SIZE .255"

REV.	DATE	DESCRIPTION
8		
7		
6		
5	FERRULE	COPPER NICKEL 1
4	HEX NUT	BRASS NICKEL 1
3	LOCK WASHER	BRASS NICKEL 1
2	INSULATOR	TEFLON NATURAL 1
1	BODY	BRASS NICKEL 1
DESCRIPTION		MATERIAL FINISH QTY
UNLESS OTHERWISE SPECIFIED DIMENSIONS ARE IN MILLIMETERS. DIMENSIONS IN [] ARE IN INCHES AND FOR CUSTOMER REFERENCE ONLY.		DO NOT SCALE DRAWING
UNLESS OTHERWISE SPECIFIED TOLERANCES FOR MILLIMETERS ARE:		
0.5 - 8mm ± 0.20mm		
8 - 30mm ± 0.40mm		
30 - 120mm ± 0.50mm		
UNLESS OTHERWISE SPECIFIED TOLERANCES FOR INCHES ARE:		
.020 - .315 ± 0.007"		
.315 - 1.180 ± 0.015"		
1.180 - 4.724 ± 0.020"		
APPROVALS		DATE
DRAWN G.R.S.		12/15/05
CHECKED		
ISSUED		
SHEET 1 OF 1		
CAD FILE		
C:/142/142273.DWG		
PART DESCRIPTION		
BULKHEAD CABLE TERMINATION (FOR RG-59/U, LMR240 CABLE)		
PART NO. 142273		
DWG. NO.	142273.DWG	REV. A
SIZE	A	SCALE NA

Amphenol Connex