

# HC-M-DSUB-09/2-CT-F - Contact insert module



1079793

<https://www.phoenixcontact.com/pc/products/1079793>

Please be informed that the data shown in this PDF document is generated from our online catalog. Please find the complete data in the user documentation. Our general terms of use for downloads are valid.



HEAVYCON socket contact insert module, D-SUB 9, crimp connection, for two conductors, without crimp contact

## Commercial data

Item number	1079793
Packing unit	1 pc
Minimum order quantity	1 pc
Product key	BF7ACB
Catalog page	Page 587 (C-2-2019)
GTIN	4055626800431
Weight per piece (including packing)	35.1 g
Weight per piece (excluding packing)	35.1 g
Customs tariff number	85389099
Country of origin	CN

# HC-M-DSUB-09/2-CT-F - Contact insert module



1079793

<https://www.phoenixcontact.com/pc/products/1079793>

## Technical data

### Notes

General	For module carrier frames HC-M-B...-MF-H/HC-M-B...-MF-B, for two conductors
General	Connectors may be operated only when there is no load/voltage.
General	The use of guide pins (HC-CST) and sockets (HC-CBU) is recommended to prevent tip collision due to misalignment.

### Mounting

Assembly instructions	To ensure correct use, installation in housing with IP54 protection or better is required
Connection method	Crimp connection

### Product properties

Product type	Modular contact insert
Number of positions	9
Connection profile	9
Contact numbering	1 - 9
Application	Data
Number of module slots	1
Type	D-SUB 9
Contact material type	turned
Series	HC-M-DSUB-C

### Insulation characteristics

Overvoltage category	III
Degree of pollution	3

### Connection data

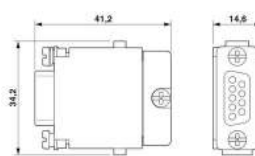
#### Connection technology

Connection technology	Crimp connection
-----------------------	------------------

#### Conductor connection

Conductor cross section	0.09 mm <sup>2</sup> ... 0.82 mm <sup>2</sup>
Connection cross section AWG	28 ... 18
Stripping length of the individual wire	4.2 mm

### Dimensions

Dimensional drawing	
Width	34.2 mm

# HC-M-DSUB-09/2-CT-F - Contact insert module



1079793

<https://www.phoenixcontact.com/pc/products/1079793>

Height	35.7 mm
Length	14.6 mm

## Mechanical characteristics

Minimum housing height	52 mm
Contact diameter	1 mm

## Electrical properties

Rated voltage (III/3)	48 V
Rated surge voltage	0.8 kV
Rated current	5 A

## Mechanical properties

### Mechanical data

Insertion/withdrawal cycles	≥ 500
-----------------------------	-------

## Material specifications

Material	Zinc alloy
Flammability rating according to UL 94	V0
Contact material	Copper alloy
Contact surface material	Ag
Contact carrier material	PC

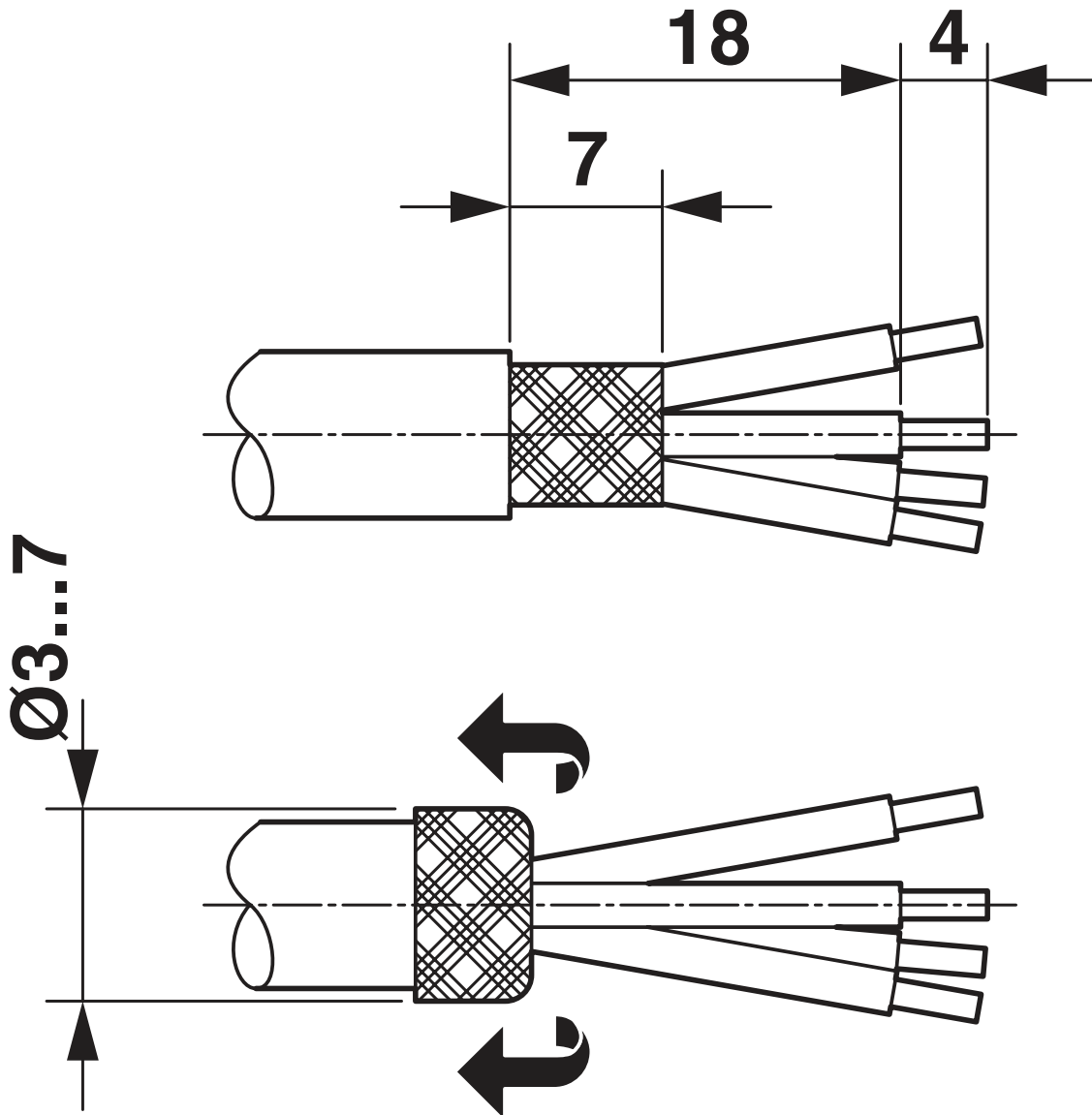
## Environmental and real-life conditions

### Ambient conditions

Ambient temperature (operation)	-40 °C ... 125 °C
---------------------------------	-------------------

Drawings

Dimensional drawing

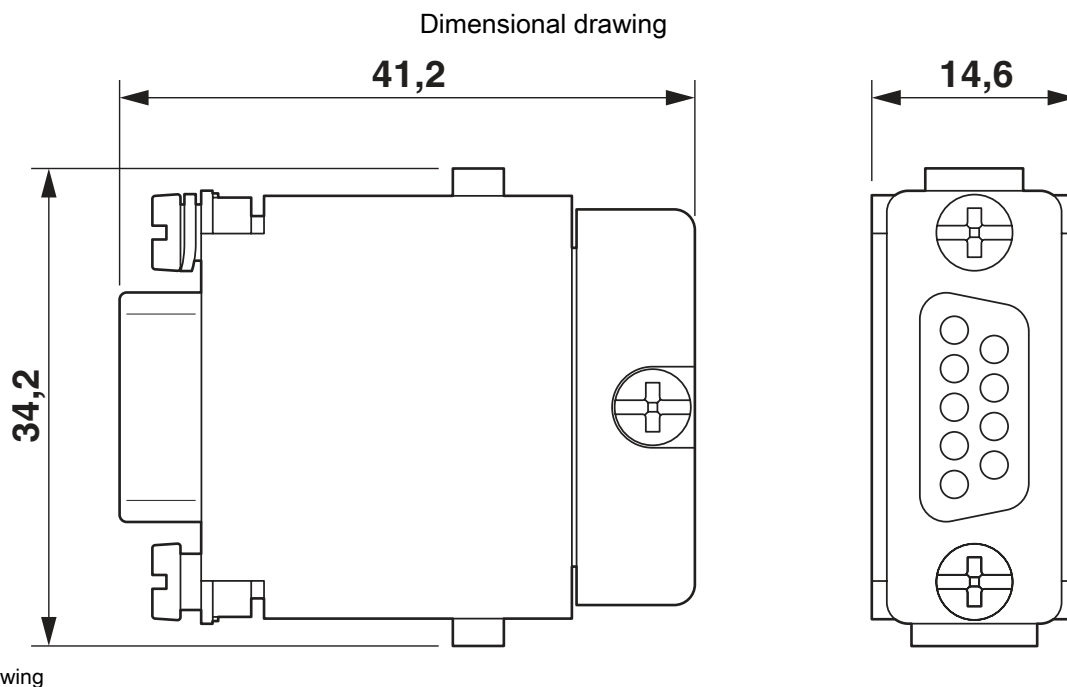


Stripping length specifications, pin assignment

# HC-M-DSUB-09/2-CT-F - Contact insert module

1079793

<https://www.phoenixcontact.com/pc/products/1079793>



# HC-M-DSUB-09/2-CT-F - Contact insert module



1079793

<https://www.phoenixcontact.com/pc/products/1079793>

## Approvals

🔗 To download certificates, visit the product detail page: <https://www.phoenixcontact.com/pc/products/1079793>

**DNV**

Approval ID: TAE000037S



**EAC**

Approval ID: RU C-DE.AI30.B.01102



**EAC**

Approval ID: RU C-DE.BL08.B.00511

# HC-M-DSUB-09/2-CT-F - Contact insert module



1079793

<https://www.phoenixcontact.com/pc/products/1079793>

## Classifications

### ECLASS

ECLASS-11.0	27440218
ECLASS-12.0	27440218
ECLASS-13.0	27440218

### ETIM

ETIM 8.0	EC000438
----------	----------

### UNSPSC

UNSPSC 21.0	39121400
-------------	----------

# HC-M-DSUB-09/2-CT-F - Contact insert module



1079793

<https://www.phoenixcontact.com/pc/products/1079793>

## Environmental product compliance

China RoHS	Environmentally friendly use period: unlimited = EFUP-e
	No hazardous substances above threshold values



# HC-M-DSUB-09/2-CT-F - Contact insert module

1079793

<https://www.phoenixcontact.com/pc/products/1079793>

## Accessories

### HC-CBU-MOD - Coding element

1636130

<https://www.phoenixcontact.com/pc/products/1636130>



Coding socket for coding up to 16 connectors, for HC Modular

---

### HC-CST-MOD - Coding element

1636127

<https://www.phoenixcontact.com/pc/products/1636127>



Coding peg for coding up to 16 connectors, for HC Modular

# HC-M-DSUB-09/2-CT-F - Contact insert module



1079793

<https://www.phoenixcontact.com/pc/products/1079793>

## CUC-DSC-C1BAU-S/DSC28 - D-SUB crimp contact

1418784

<https://www.phoenixcontact.com/pc/products/1418784>



D-SUB crimp contact, connection method: Crimp connection, connection cross section: AWG 28- 26

---

## CUC-DSC-C1BAU-S/DSC24 - D-SUB crimp contact

1418786

<https://www.phoenixcontact.com/pc/products/1418786>



D-SUB crimp contact, connection method: Crimp connection, connection cross section: AWG 24- 20

# HC-M-DSUB-09/2-CT-F - Contact insert module



1079793

<https://www.phoenixcontact.com/pc/products/1079793>

## CUC-DSC-J1BAU-S/DSC28 - D-SUB crimp contact

1418787

<https://www.phoenixcontact.com/pc/products/1418787>



D-SUB crimp contact, connection method: Crimp connection, connection cross section: AWG 28- 26

---

## CUC-DSC-J1BAU-S/DSC24 - D-SUB crimp contact

1418788

<https://www.phoenixcontact.com/pc/products/1418788>



D-SUB crimp contact, connection method: Crimp connection, connection cross section: AWG 24- 20

# HC-M-DSUB-09/2-CT-F - Contact insert module

1079793

<https://www.phoenixcontact.com/pc/products/1079793>



## HC-M-B06-MFH-B - Module carrier frame

1182085

<https://www.phoenixcontact.com/pc/products/1182085>



Module carrier frame, size: B6, type : for the panel mounting side (a, b, c, ...), 4 mm<sup>2</sup> ... 6 mm<sup>2</sup>, application: Module carrier frame

---

## HC-M-B10-MFH-B - Module carrier frame

1182088

<https://www.phoenixcontact.com/pc/products/1182088>



Module carrier frame, size: B10, type : for the panel mounting side (a, b, c, ...), 4 mm<sup>2</sup> ... 6 mm<sup>2</sup>, application: Module carrier frame

# HC-M-DSUB-09/2-CT-F - Contact insert module

1079793

<https://www.phoenixcontact.com/pc/products/1079793>

## HC-M-B16-MFH-B - Module carrier frame

1182090

<https://www.phoenixcontact.com/pc/products/1182090>

Module carrier frame, size: B16, type : for the panel mounting side (a, b, c, ...), 4 mm<sup>2</sup> ... 6 mm<sup>2</sup>, application: Module carrier frame



---

## HC-M-B24-MFH-B - Module carrier frame

1182094

<https://www.phoenixcontact.com/pc/products/1182094>

Module carrier frame, size: B24, type : for the panel mounting side (a, b, c, ...), 4 mm<sup>2</sup> ... 6 mm<sup>2</sup>, application: Module carrier frame



# HC-M-DSUB-09/2-CT-F - Contact insert module



1079793

<https://www.phoenixcontact.com/pc/products/1079793>

## HC-M-B06-MFH-H - Module carrier frame

1182087

<https://www.phoenixcontact.com/pc/products/1182087>



Module carrier frame, size: B6, type : for the sleeve side (A, B, C, ...), 4 mm<sup>2</sup> ... 6 mm<sup>2</sup>, application: Module carrier frame

---

## HC-M-B10-MFH-H - Module carrier frame

1182089

<https://www.phoenixcontact.com/pc/products/1182089>



Module carrier frame, size: B10, type : for the sleeve side (A, B, C, ...), 4 mm<sup>2</sup> ... 6 mm<sup>2</sup>, application: Module carrier frame

## HC-M-DSUB-09/2-CT-F - Contact insert module

1079793

<https://www.phoenixcontact.com/pc/products/1079793>



## HC-M-B16-MFH-H - Module carrier frame

1182093

<https://www.phoenixcontact.com/pc/products/1182093>

Module carrier frame, size: B16, type : for the sleeve side (A, B, C, ...), 4 mm<sup>2</sup> ...  
6 mm<sup>2</sup>, application: Module carrier frame



---

## HC-M-B24-MFH-H - Module carrier frame

1182095

<https://www.phoenixcontact.com/pc/products/1182095>

Module carrier frame, size: B24, type : for the sleeve side (A, B, C, ...), 4 mm<sup>2</sup> ...  
6 mm<sup>2</sup>, application: Module carrier frame



## HC-M-DSUB-09/2-CT-F - Contact insert module

1079793

<https://www.phoenixcontact.com/pc/products/1079793>



## HC-M-DSUB-09/2-CT-M - Contact insert module

1079796

<https://www.phoenixcontact.com/pc/products/1079796>



HEAVYCON pin contact insert module, D-SUB 9, crimp connection, for two conductors, without crimp contact

---

## VS-IET-DSUB-SIGNAL-STD - Tool

1658794

<https://www.phoenixcontact.com/pc/products/1658794>



Insertion/extraction tool, to insert and extract the D-SUB standard signal contacts

---

Phoenix Contact 2023 © - all rights reserved  
<https://www.phoenixcontact.com>

PHOENIX CONTACT GmbH & Co. KG  
Flachsmarktstraße 8  
D-32825 Blomberg  
+49 (0) 5235-3 00  
[info@phoenixcontact.com](mailto:info@phoenixcontact.com)