

**Series EM2215**

Header with Flanges; (Mates with EM2115, EM3115 Series); 5.00 Centers

**SPECIFICATIONS:**

**Rating:** 16A, 300V

**Center Spacing:** 0.197" (5.00mm)

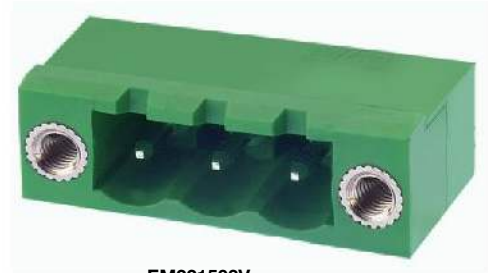
**Housing Material:** UL rated 94V0 Thermoplastic

**Contact Material:** Tin-Plated Brass

**Operating Temperature:** 105°C (221°F) max., -55°C (-67°F) min.

**Construction:** Mold-to-Length

**Agency Information:** File E62622; CE Certified

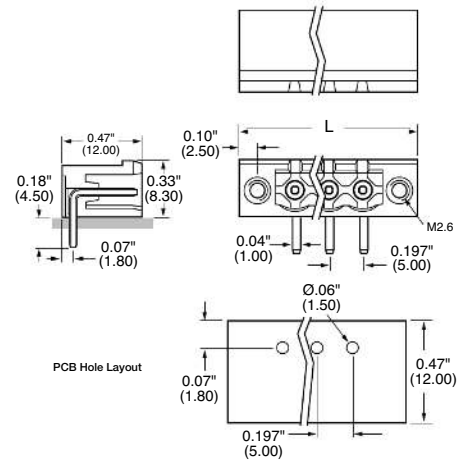


EM221503V

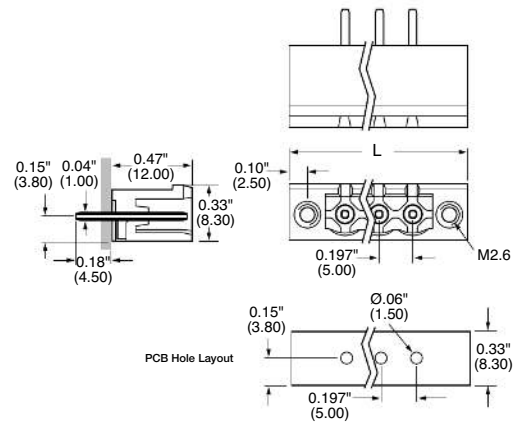
| Poles | L (mm) | L (Inch) | Poles | L (mm) | L (Inch) |
|-------|--------|----------|-------|--------|----------|
| 2     | 20.0   | 0.787    | 13    | 75.0   | 2.952    |
| 3     | 25.0   | 0.984    | 14    | 80.0   | 3.149    |
| 4     | 30.0   | 1.181    | 15    | 85.0   | 3.346    |
| 5     | 35.0   | 1.378    | 16    | 90.0   | 3.543    |
| 6     | 40.0   | 1.575    | 17    | 95.0   | 3.740    |
| 7     | 45.0   | 1.772    | 18    | 100.0  | 3.937    |
| 8     | 50.0   | 1.969    | 19    | 105.0  | 4.133    |
| 9     | 55.0   | 2.165    | 20    | 110.0  | 4.330    |
| 10    | 60.0   | 2.362    | 21    | 115.0  | 4.527    |
| 11    | 65.0   | 2.559    | 22    | 120.0  | 4.724    |
| 12    | 70.0   | 2.756    |       |        |          |

**Dimensions - in (mm)**

**HORIZONTAL**



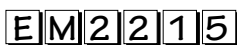
**VERTICAL**



**Part Numbering System**

Inches (Millimeters)

Series



# of Poles



02 to 22

Orientation



H - Horizontal  
V - Vertical

**Mating Plugs:** EM2115 pg. 93  
EM3115 pg. 94

Terminal Blocks:  
Single Row

EuroMag Series  
Plug & Header

Edge Connectors,  
One-Sided Boards

Compliance  
References