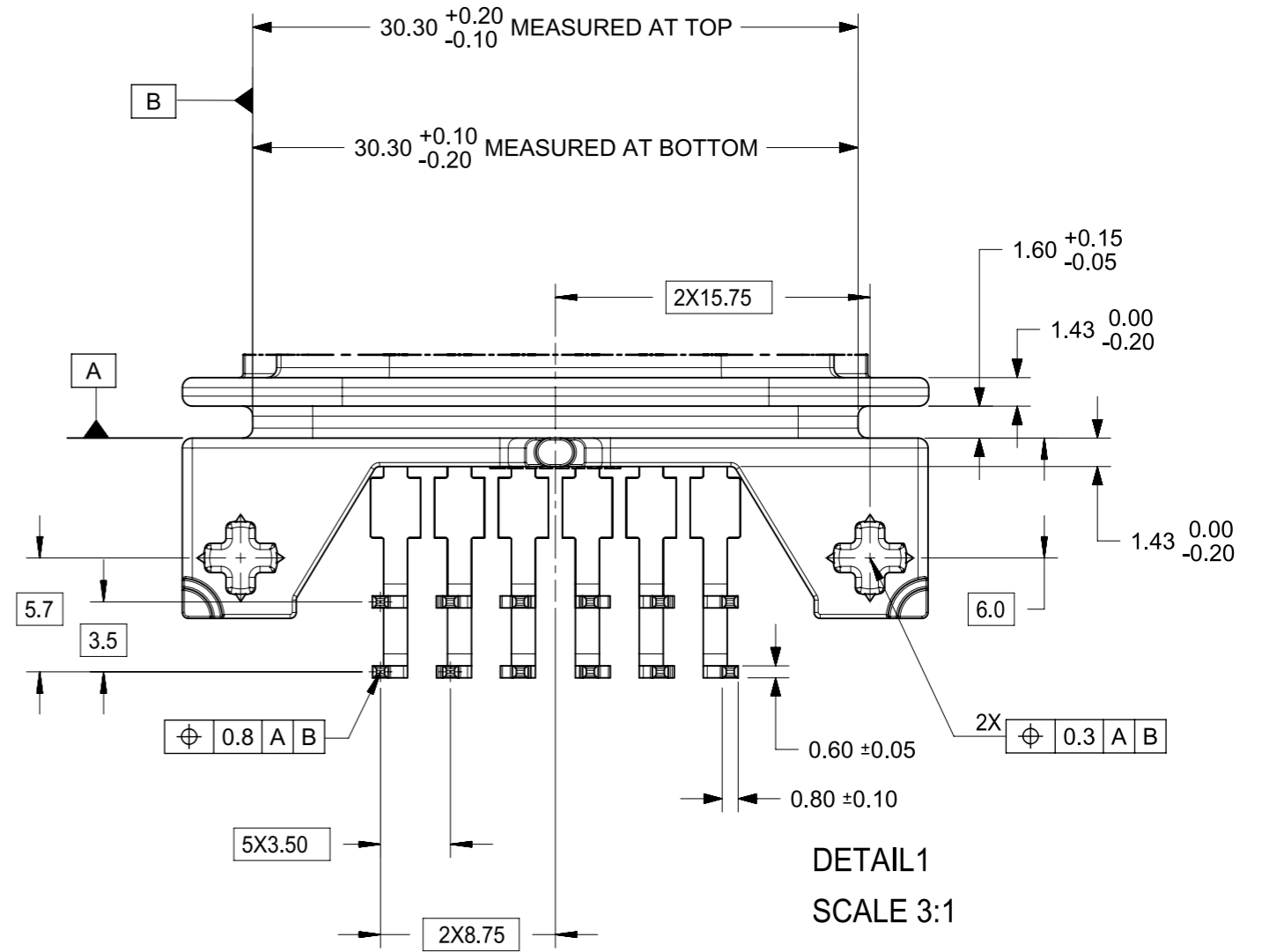
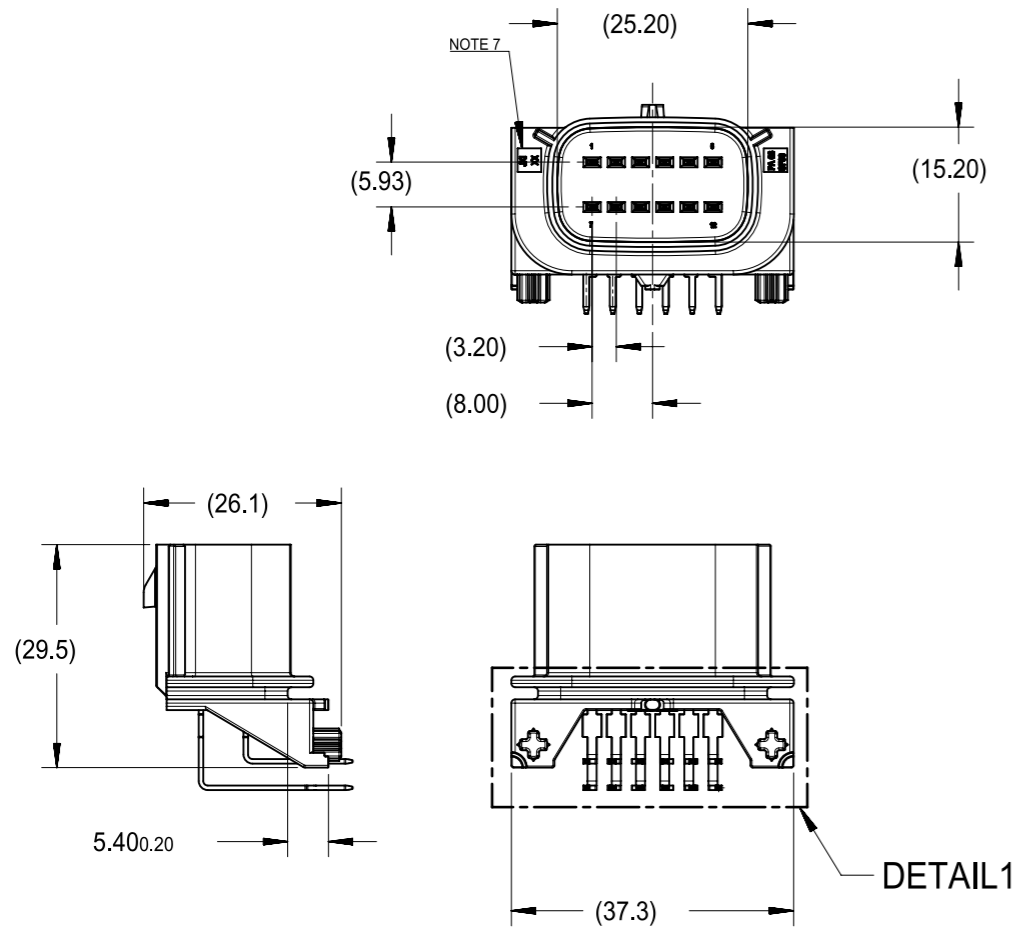


NOTES:

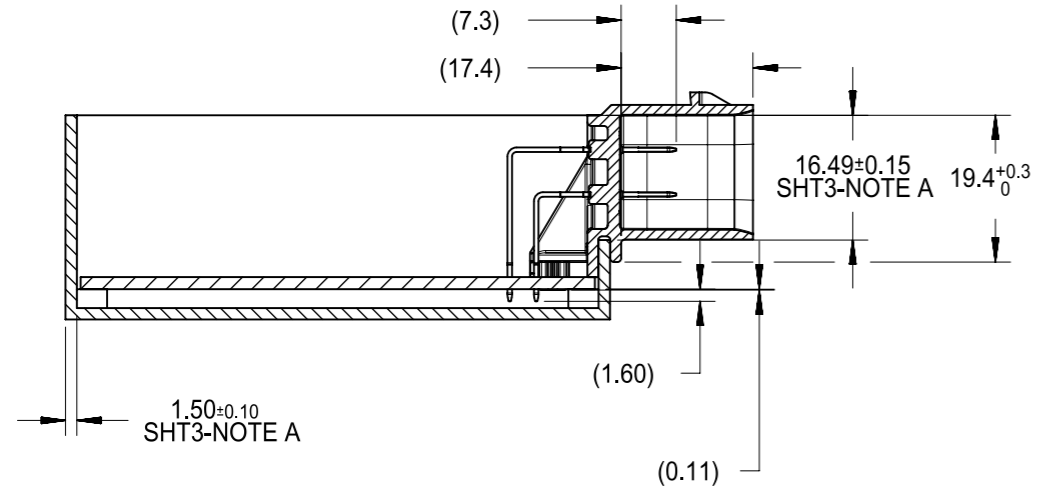
1. MATERIAL
  - A) HEADER HOUSING: HB RATED 30% GLASS FILLED NYLON
  - B) HEADER TERMINAL: BRASS
2. PLATING
  - POST-PLATED TIN 1 MICRON MINIMUM
3. HEADER TERMINALS WILL NOT HAVE BARE EDGES
4. PRODUCT WILL COMPLY WITH PS-36783-001
5. HEADER MATES WITH SERIES 36792
6. PCB THICKNESS CONSIDERED 1.6MM
7. CAVITY NUMBER WILL BE IDENTIFIED ON HEADER, LOCATION IS AS SHOWN
8. MANUFACTURING DATE CODE WILL BE IDENTIFIED ON BAR CODE LABEL SHIPPED AGAINST EACH ORDER. PARTS WILL BE TRACED AGAINST THIS
9. TRUE POSITION MEASUREMENTS FOR SOLDER TAIL WILL BE PROVIDED DURING INITIAL PPAP SUBMISSION. ONGOING THIS WILL BE CHECKED WITH GAUGE
10. ALL DIMENSIONS SHOWN ARE APPLICABLE AS RECEIVED INTO CUSTOMER PLACE. MOLEX OWNS RESPONSIBILITY FOR HEADER AS SHIPPED FROM MOLEX, ASSEMBLY OF HEADER ON TO CONTROL UNIT ALONG WITH ITS FUNCTIONALITY COMES UNDER CUSTOMER SCOPE.
11. COMPLY WITH PACKING SPECIFICATION PK-36783-001
12. PRODUCT TOOLING STATUS - PRODUCTION TOOLING AVAILABLE FOR 12 CIRCUIT ONLY (SEE TABLE A).

THIS DRAWING CONTAINS INFORMATION THAT IS PROPRIETARY TO MOLEX ELECTRONIC TECHNOLOGIES, LLC AND SHOULD NOT BE USED WITHOUT WRITTEN PERMISSION														
QUALITY SYMBOLS	2017/10/17	2017/11/28	GENERAL TOLERANCES (UNLESS SPECIFIED)			DIMENSION UNITS		SCALE		<p>MX120G DUAL ROW 3.2/3.5 HEADER ASSY SEALED SYSTEM</p> <p>PRODUCT CUSTOMER DRAWING</p>				
			ANGULAR TOL ± °			mm		1:1						
▽ = 0	EC NO: 168591 DRWN: RGV CHK'D: APPR: VUTTARKAR	REV: F1	4 PLACES ±	STHM01	DATE	2012/07/20	SERIES		MATERIAL NUMBER				CUSTOMER	
▽ = 0			3 PLACES ±	CHK'D BY	DATE	36783	SEE TABLE A & B		GENERAL MARKET					
▽ = 0			2 PLACES ±	APPR BY	DATE	DOCUMENT NUMBER		DOC TYPE	DOC PART	SHEET NUMBER				
▽ = 0			1 PLACE ±	STHM01	2012/07/20	SD-36783-004		PSD	001	1 OF 5				
▽ = 0			0 PLACES ±	DRAFT WHERE APPLICABLE MUST REMAIN WITHIN DIMENSIONS		DRAWING SIZE		THIRD ANGLE PROJECTION						
▽ = 0						A3								

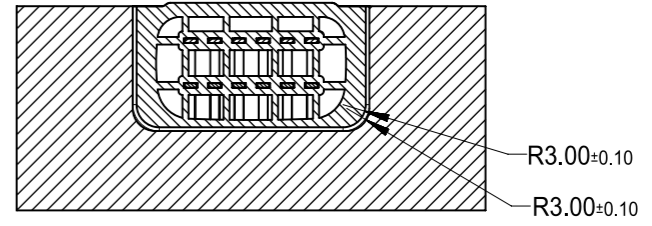
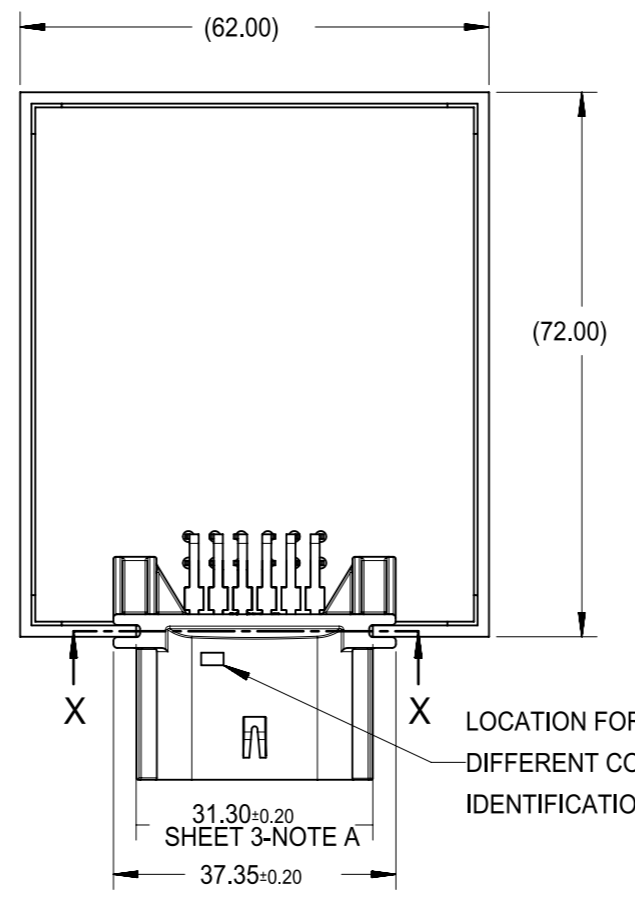
12CKT HEADER DIMENSIONS DETAILS- SEE BELOW IN SHEET 2 OF 4



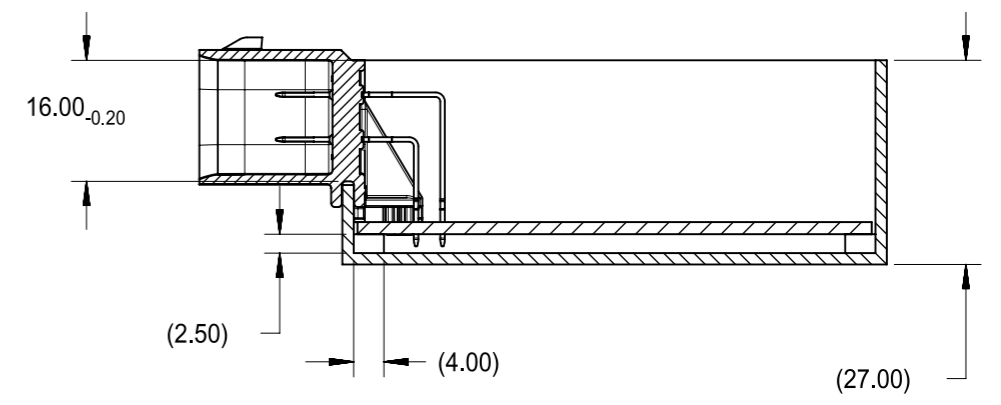
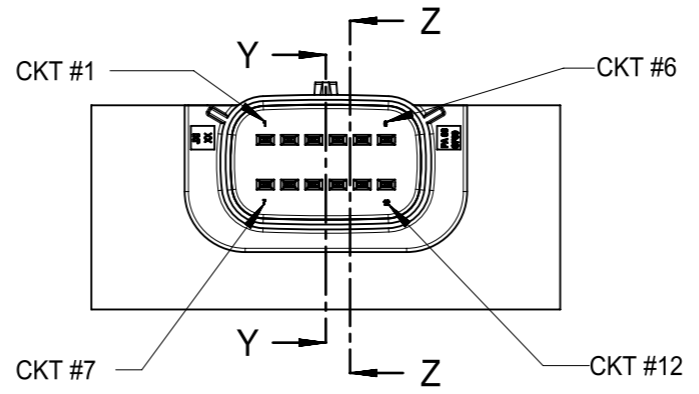
THIS DRAWING CONTAINS INFORMATION THAT IS PROPRIETARY TO MOLEX ELECTRONIC TECHNOLOGIES, LLC AND SHOULD NOT BE USED WITHOUT WRITTEN PERMISSION														
<b>QUALITY SYMBOLS</b> ▽ = 0 ▽ = 0 ▽ = 0 ▽ = 0 ▽ = 0 ▽ = 0 ▽ = 0 ▽ = 0	EC NO: 168591 DRWN: RGV CHK'D: APPR: VUTTARKAR	2017/10/17 2017/11/28	GENERAL TOLERANCES (UNLESS SPECIFIED)		DIMENSION UNITS	SCALE								
			ANGULAR TOL ± °		mm	1:1								
			4 PLACES ±	STHM01		DATE		MX120G DUAL ROW 3.2/3.5 HEADER ASSY SEALED SYSTEM						
			3 PLACES ±	CHK'D BY		DATE								
			2 PLACES ±	APPR BY		DATE		PRODUCT CUSTOMER DRAWING						
			1 PLACE ±	STHM01		DATE								
			0 PLACES ±	DRAFT WHERE APPLICABLE MUST REMAIN WITHIN DIMENSIONS		DRAWING SIZE	THIRD ANGLE PROJECTION	SERIES	MATERIAL NUMBER	CUSTOMER				
						A3		36783	SEE TABLE A & B	GENERAL MARKET				
								DOCUMENT NUMBER		DOC TYPE	DOC PART	SHEET NUMBER		
								SD-36783-004		PSD	001	2 OF 5		



SECTION Y-Y



SECTION X-X



SECTION Z-Z

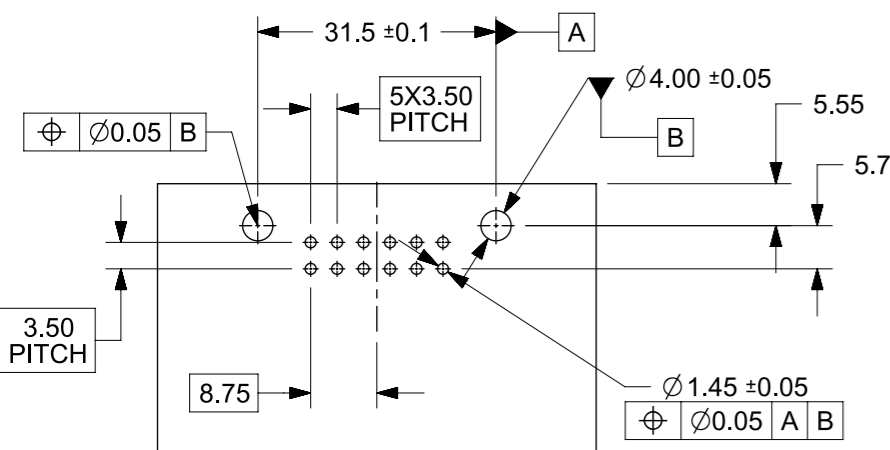
NOTE A  
 - ALL THESE DIMENSIONS ARE BOX DIMENSIONS TOL. OF THESE ARE CONSIDERED AS GENERAL TOL. AS MENTIONED AGAINST THE DIMENSIONS.

THIS DRAWING CONTAINS INFORMATION THAT IS PROPRIETARY TO MOLEX ELECTRONIC TECHNOLOGIES, LLC AND SHOULD NOT BE USED WITHOUT WRITTEN PERMISSION														
QUALITY SYMBOLS	2017/10/17	2017/11/28	GENERAL TOLERANCES (UNLESS SPECIFIED)			DIMENSION UNITS	SCALE							
			ANGULAR TOL ± °			mm	1:1							
▽ = 0	EC NO: 168591 DRWN: RGV CHK'D: APPR: VUTTARKAR	F1	4 PLACES ±	DRAFT WHERE APPLICABLE MUST REMAIN WITHIN DIMENSIONS	STHM01	DRWN BY	DATE	<b>MX120G DUAL ROW          3.2/3.5 HEADER ASSY SEALED SYSTEM</b>						
▽ = 0			3 PLACES ±			CHK'D BY	DATE							
▽ = 0			2 PLACES ±			CHKD BY	DATE							
▽ = 0			1 PLACE ±			APPR BY	DATE							
▽ = 0			0 PLACES ±			STHM01	2012/07/20						PRODUCT CUSTOMER DRAWING	
▽ = 0			DRAFT WHERE APPLICABLE MUST REMAIN WITHIN DIMENSIONS			DRAWING SIZE	THIRD ANGLE PROJECTION						SERIES	MATERIAL NUMBER
▽ = 0			A3		36783	SEE TABLE A & B	GENERAL MARKET							
					DOCUMENT NUMBER		DOC TYPE	DOC PART	SHEET NUMBER					
					SD-36783-004		PSD	001	3 OF 5					

TABLE A

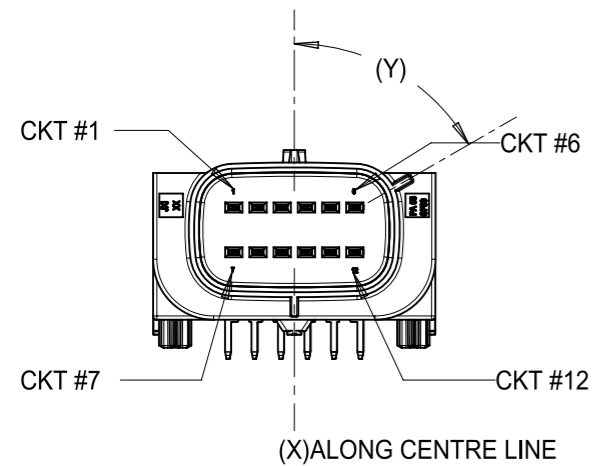
PART #	CIRCUIT SIZE	HEADER HOUSING COLOUR	COLOR MARK IDENTIFICATION	KEYING DIMENSION		STATUS	HEADER HOUSING QTY	HEADER TERMINAL QTY
				(X)	(Y)			
367830401	4	BLACK	-	40°	40°	NOT TOOLED	1	4
367830402	4		BROWN	40°	40°			
367830403	4		RED	40°	40°			
367830404	4		GREEN	40°	40°			
367830405	4		GREY	40°	40°			
367830406	4		BLUE	40°	40°			
367830407	4		YELLOW	40°	40°			
367830408	4		WHITE	40°	40°			
367830601	6	BLACK	-	40°	40°	NOT TOOLED	1	6
367830602	6		BROWN	40°	40°			
367830603	6		RED	40°	40°			
367830604	6		GREEN	40°	40°			
367830605	6		GREY	40°	40°			
367830606	6		BLUE	40°	40°			
367830607	6		YELLOW	40°	40°			
367830608	6		WHITE	40°	40°			
367830801	8	BLACK	-	60°	60°	NOT TOOLED	1	8
367830802	8		BROWN	60°	60°			
367830803	8		RED	60°	60°			
367830804	8		GREEN	60°	60°			
367830805	8		GREY	60°	60°			
367830806	8		BLUE	60°	60°			
367830807	8		YELLOW	60°	60°			
367830808	8		WHITE	60°	60°			

PART #	CIRCUIT SIZE	HEADER HOUSING COLOUR	COLOR MARK IDENTIFICATION	KEYING DIMENSION		STATUS	HEADER HOUSING QTY	HEADER TERMINAL QTY
				(X)	(Y)			
367831001	10	BLACK	-	60°	60°	NOT TOOLED	1	10
367831002	10		BROWN	60°	60°			
367831003	10		RED	60°	60°			
367831004	10		GREEN	60°	60°			
367831005	10		GREY	60°	60°			
367831006	10		BLUE	60°	60°			
367831007	10		YELLOW	60°	60°			
367831008	10		WHITE	60°	60°			
367831201	12	BLACK	-	60°	60°	TOOLED	1	12
367831202	12		BROWN	60°	60°			
367831203	12		RED	60°	60°			
367831204	12		GREEN	60°	60°			
367831205	12		GREY	60°	60°			
367831206	12		BLUE	60°	60°			
367831207	12		YELLOW	60°	60°			
367831208	12		WHITE	60°	60°			
367831209	12		ORANGE	60°	60°			
367831210	12		VIOLET	60°	60°			
367831211	12		PINK	60°	60°			

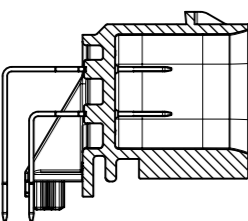
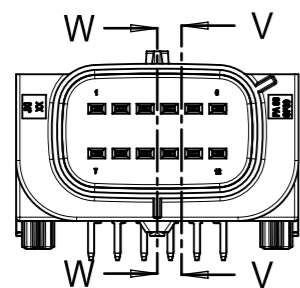


PCB LAYOUT  
(12 CKT HEADER ONLY)

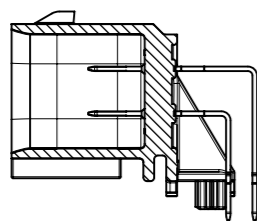
<b>QUALITY SYMBOLS</b> ▽A = 0 ▽E = 0 ▽F = 0 ▼ = 0 ▽C = 0 ⊗ = 0 ■ = 0 ▽ = 0	THIS DRAWING CONTAINS INFORMATION THAT IS PROPRIETARY TO MOLEX ELECTRONIC TECHNOLOGIES, LLC AND SHOULD NOT BE USED WITHOUT WRITTEN PERMISSION									
	EC NO: 168591 DRWN: RGV CHK'D: APPR: VUTTARKAR	2017/10/17 2017/11/28	GENERAL TOLERANCES (UNLESS SPECIFIED) ANGULAR TOL ± ° 4 PLACES ± 3 PLACES ± 2 PLACES ± 1 PLACE ± 0 PLACES ± DRAFT WHERE APPLICABLE MUST REMAIN WITHIN DIMENSIONS	DIMENSION UNITS: mm SCALE: 1:1 DRWN BY: STHM01 DATE: 2012/07/20 CHK'D BY: CHKD BY DATE: APPR BY: STHM01 DATE: 2012/07/20			MX120G DUAL ROW 3.2/3.5 HEADER ASSY SEALED SYSTEM			
	PRODUCT CUSTOMER DRAWING		SERIES: 36783 MATERIAL NUMBER: SEE TABLE A & B CUSTOMER: GENERAL MARKET	DOCUMENT NUMBER: SD-36783-004 DOC TYPE: PSD DOC PART: 001 SHEET NUMBER: 4 OF 5						
	RELEASE STATUS: P1 RELEASE DATE: 28.11.2017 11:02:34									



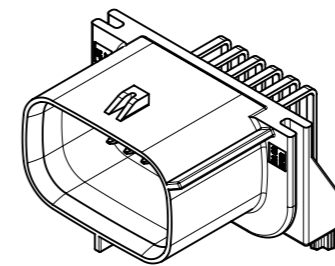
12 CKT - VIEW ONLY FOR P/N 367831213 (SEE NOTE B)



SECTION W-W



SECTION V-V



ISOMETRIC VIEW  
P/N 367831213

TABLE B

PART #	CIRCUIT SIZE	HEADER HOUSING COLOUR	COLOR MARK IDENTIFICATION	KEYING DIMENSION		STATUS	HEADER HOUSING QTY	HEADER TERMINAL QTY
				(X)	(Y)			
367831212	12	GREY COLOUR	-	60°	60°	NOT TOOLED	1	12
367831213	12			0° (ALONG CENTRE LINE)	60°			

NOTE B:

1. P/N 367831212 IS AS SAME AS 367831201 WITH THE GREY COLOUR HOUISNG.
2. P/N 367831213 IS SAME AS P/N 367831201 WITH DIFFERENT KEY CODING (X)-0° ALONG CENTRE LINE , (Y)-60° AND WITH GREY COLOUR HOUSING.
3. FOR P/N 367831213 KEY CODE (X)-0° ALONG CENTRE LINE IS ALIGNED TO THE BOTTOM SIDE.
4. ALL OTHER DIMENSIONS FOR P/N 367831213 WILL REMAIN SAME AS PER P/N 367831201.

THIS DRAWING CONTAINS INFORMATION THAT IS PROPRIETARY TO MOLEX ELECTRONIC TECHNOLOGIES, LLC AND SHOULD NOT BE USED WITHOUT WRITTEN PERMISSION												
QUALITY SYMBOLS	2017/10/17	2017/11/28	GENERAL TOLERANCES (UNLESS SPECIFIED)		DIMENSION UNITS	SCALE						
			ANGULAR TOL ± °		mm	1:1						
▽A = 0	EC NO: 168591 DRWN: RGV CHK'D: APPR: VUTTARKAR	2017/11/28	4 PLACES ±	°	DRWN BY	DATE	MX120G DUAL ROW 3.2/3.5 HEADER ASSY SEALED SYSTEM					
▽E = 0			3 PLACES ±	°	STHM01	2012/07/20						
▽F = 0			2 PLACES ±	°	CHK'D BY	DATE	PRODUCT CUSTOMER DRAWING					
▼ = 0			1 PLACE ±	°	CHKD BY	DATE						
▽C = 0			0 PLACES ±	°	APPR BY	DATE	SERIES	MATERIAL NUMBER	CUSTOMER			
⊠ = 0			DRAFT WHERE APPLICABLE MUST REMAIN WITHIN DIMENSIONS		DRAFT WHERE APPLICABLE MUST REMAIN WITHIN DIMENSIONS		DRAWING SIZE	THIRD ANGLE PROJECTION	36783	SEE TABLE A & B	GENERAL MARKET	
■ = 0	F1	REV	A3				DOCUMENT NUMBER	DOC TYPE	DOC PART	SHEET NUMBER		
▽ = 0							SD-36783-004	PSD	001	5 OF 5		