

Chassis Mount

# SLT Series

## Isolated 277 V / 120 V Step down Transformers

### Allows Installers to Derive a Fully Isolated 120 V Source from a 277 V Line

Ideal for power task lighting and service receptacles.

#### General Specifications

- Power - 300, 450, 600, and 1000 VA ratings
- Dielectric Strength - 4000 V
- Primary: 277 V, 60 Hz
- Secondary: 120 V with taps at 115 V and 125 V for high/low line adjustment
- Insulation System - UL 1446 Class F (155° C)
- Leakage Current - <30  $\mu$ A
- Touch Safe terminals (IP20 type) offer a screw/binding clamp for hard wiring and 3/16" and 1/4" Fast-On connections
- Flame Rating - UL 94-V0

#### Agency Certifications

- UL 1446 File # E66312
- Compliant with the following domestic and international standards:
  - UL5085-1-2, UL 506, UL 60950, UL 197, UL 1262
  - IEC 60950, IEC 61558-2-4, IEC 61010-1
  - CSA 22.2 #66-1-2
  - VDE 0570, 0605, 0551, 0550
  - CE

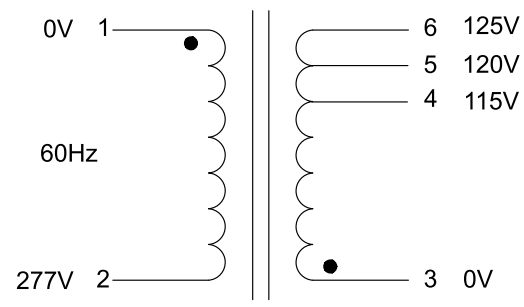
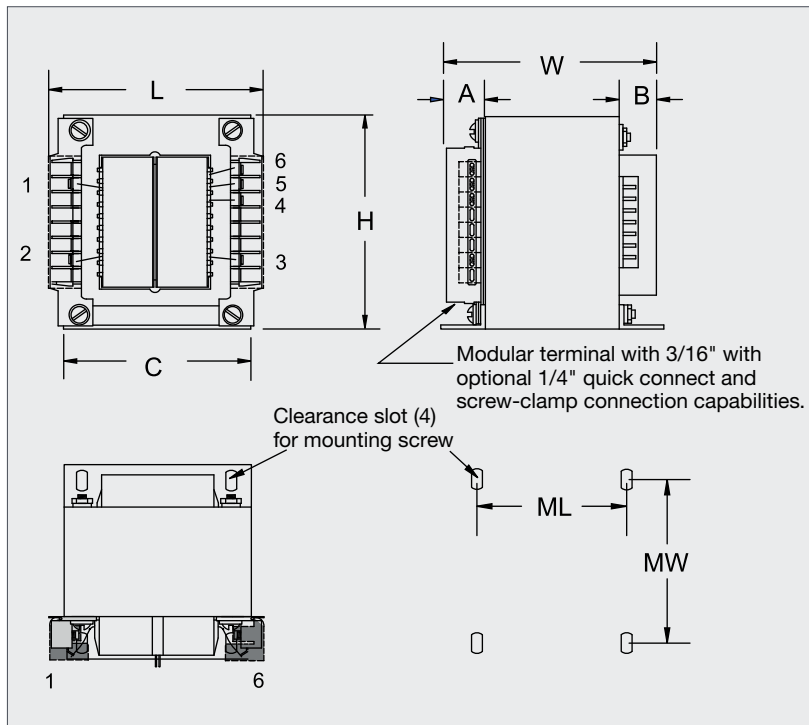


## Part Number Selection

Part Number	VA	Sec RMS
	Size	Rating
SLT-300	300	120 V @ 2.5 A
SLT-450	450	120 V @ 3.8 A
SLT-600	600	120 V @ 5.0 A
SLT-1000	1000	120 V @ 8.33 A

## Mechanical Specifications

Part Number	L	W	H	A	B	C	ML	MW	Mounting Screw	Weight
	Inches (mm)									lbs (kg)
SLT-300	4.20 (106.68)	4.08 (103.51)	3.75 (95.3)	1.33 (33.8)	0.62 (15.9)	3.12 (79.4)	2.50 (63.5)	3.12 (79.4)	#10	7.0 (3.18)
SLT-450	4.46 (113.28)	4.33 (110)	4.50 (114.3)	1.33 (33.8)	0.75 (19.1)	3.75 (95.3)	3.00 (76.2)	3.25 (82.6)	#10	11.0 (5)
SLT-600	4.46 (113.28)	5.08 (129.03)	4.50 (114.3)	1.33 (33.8)	0.75 (19.1)	3.75 (95.3)	3.00 (76.2)	4.06 (103.2)	#10	14.3 (6.49)
SLT-1000	4.89 (124.20)	5.70 (144.78)	5.25 (133.4)	1.33 (33.8)	0.87 (22.2)	4.37 (111.1)	3.50 (88.9)	4.68 (119.1)	1/4"	22.0 (10.0)



For lower voltage applications contact:  
techhelp@signaltransformers.com



**Custom versions available upon request.**



128 Atlantic Avenue, Lynbrook, NY 11563  
Toll Free 866-239-5777 | Tel 516-239-5777 | Fax 516-239-7208  
sales@signaltransformer.com | techhelp@signaltransformer.com

[belfuse.com/signal](http://belfuse.com/signal)