

Type LPS-01

In-Line Fuse Holder

Low Profile Mini Auto Blade Fuses

Splashproof Type



www.optifuse.com (619) 593-5050

Ratings:

Fuse Type:

Low Profile Miniature Automotive Blade – APS, ANS series

Electrical Rating: 58VDC

Temperature Rating: -40° C to 85° C

Body: Nylon with Glass Fiber (UL94V-0)

Contacts: Brass

IP Rating: IP66

Wire Type: UL1015 rated to FT1 (VW1) – Stranded

Wire Size: #12 ~ 18 AWG

Wire Color: Red

Body Color: Black

Wire Length: 5 inches

Wire Gauge	Max. Amperage
#12	30A
#14	20A
#16	15A
#18	10A

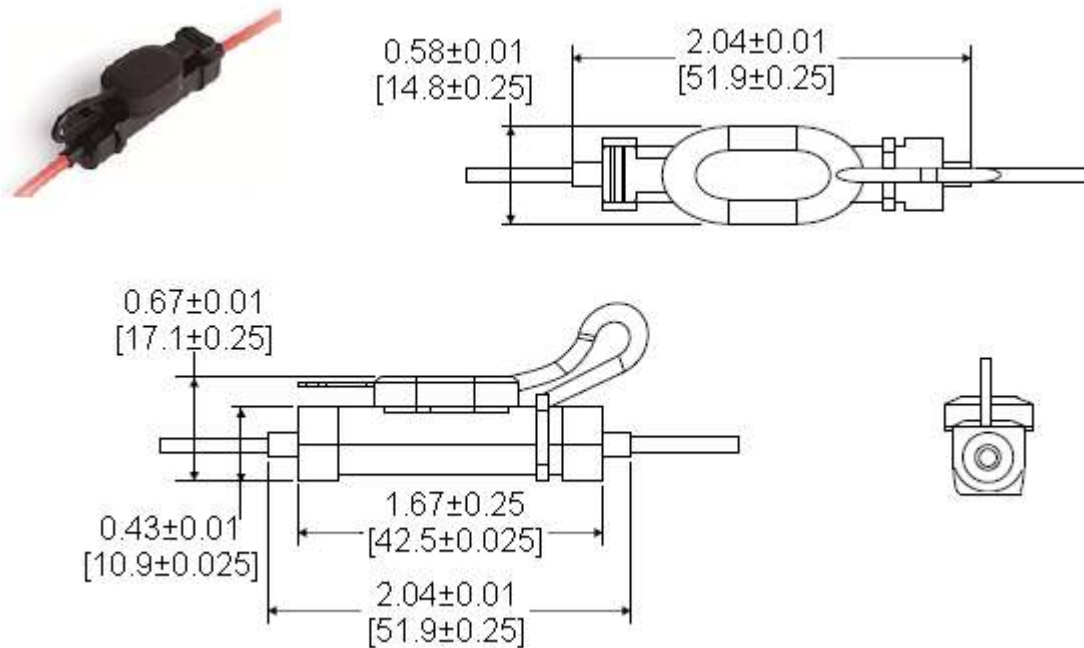
Part number format

LPS-01B-##R

Where

= Wire Gauge

Mechanical Dimensions: Inches [mm]



Warning:



- Operation beyond the specified maximum ratings or improper use may result in damage and possible electrical arcing and/or flame.
- Avoid contact of device with chemical solvent. Prolonged contact may damage the device performance.
- Not designed for prolonged liquid exposure or submersible applications.