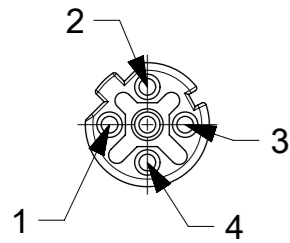


4 POLE D-CODE

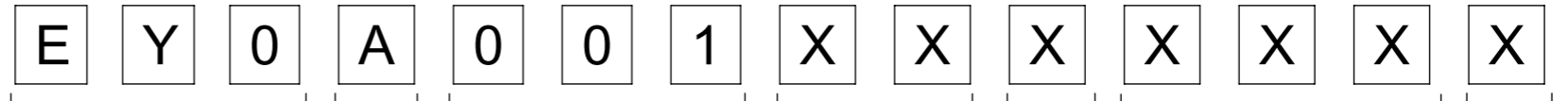
M12 FEMALE



PIN	WIRE COLOR
1	OR
2	GN
3	OR/WH
4	GN/WH
5	-

CODING ACCORDING TO IEC-61076-2-101

PART No MATRIX



EY0: ETHERNET ULTRA LOCK 2.0 SINGLE ENDED

WIRING: A = 4 POLE

HEADER: 001 = FEMALE RA

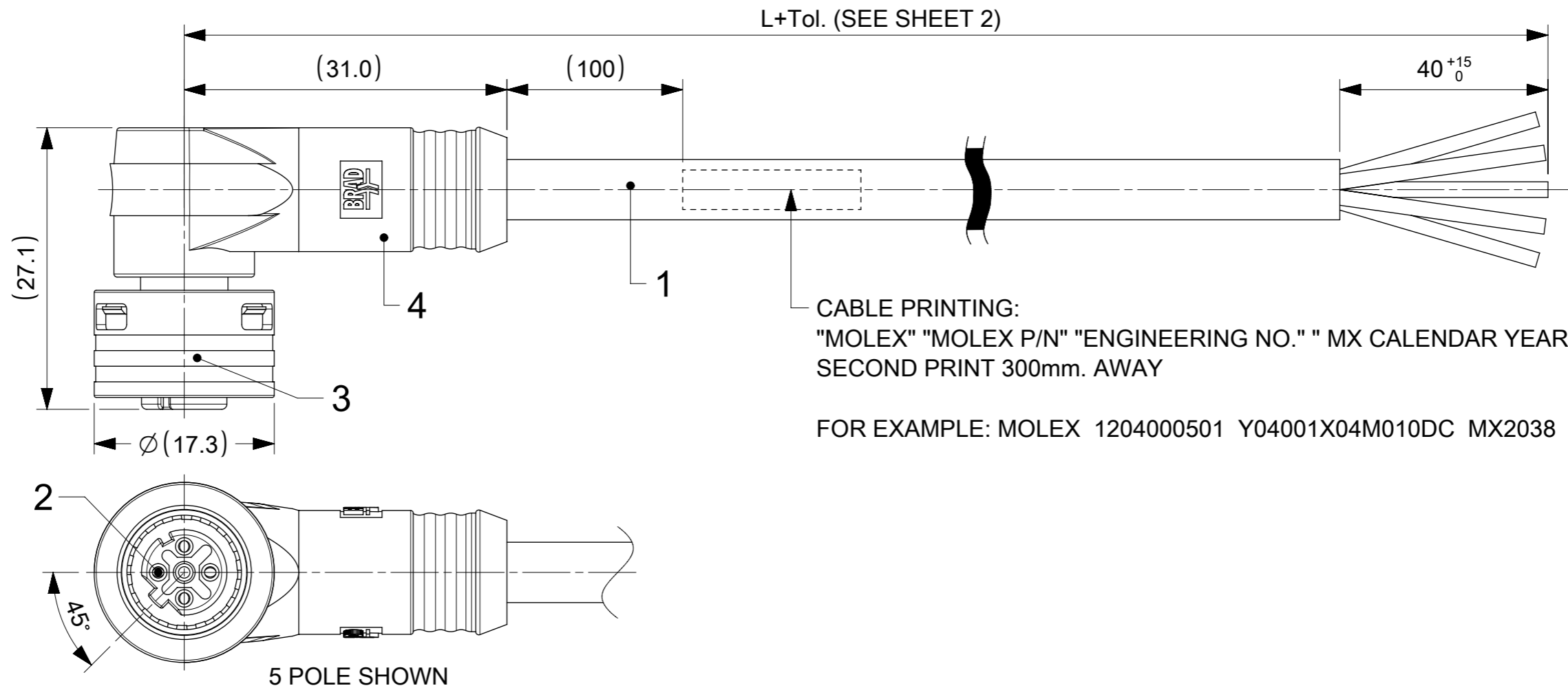
CABLE: 04 = ETHERNET CAT-5E 2x2x24AWG TPE TEAL

UNIT: M = METER F = FEET C = CENTIMETER T = 10M

LENGTH: EXAMPLE: 010 = 1 m 050 = 5 m 100 = 10 m

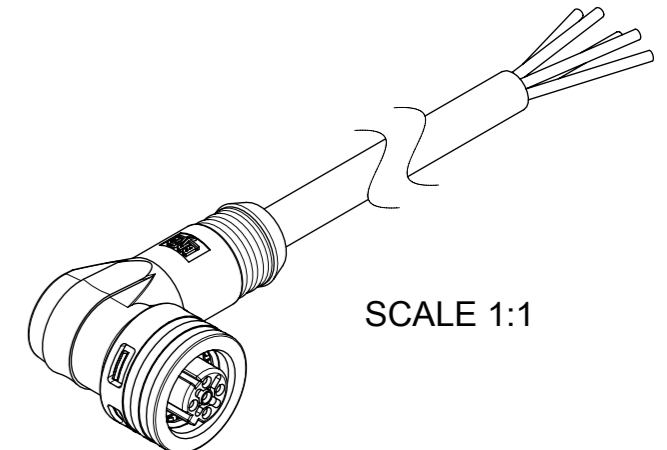
OPTIONS

OVERMOLD: BLANK = STANDARD BRAD: - YELLOW IN THE USA - BLACK IN EUROPE
 A = GREY
 E = RED
 G = BLACK
 Y = YELLOW
 H = STD. COLOUR WITH TWO ID-TAG CARRIERS



CABLE PRINTING: "MOLEX" "MOLEX P/N" "ENGINEERING NO." " MX CALENDAR YEAR CALENDAR WEEK" SECOND PRINT 300mm. AWAY

FOR EXAMPLE: MOLEX 1204000501 Y04001X04M010DC MX2038



- NOTES:**
- PARTS ACC. TO PRODUCT SPECIFICATION 1204000001 PS P10 AND IN STYLE OF IEC-61076-2-010
 - BOM & PART LIST - SEE SHEET 2
 - ELECTRICAL DATA: ACCORDING TO CAT5e ETHERNET STANDARD
 RATED VOLTAGE: 60V DC
 RATED CURRENT: 1.5A, DERATING HAS TO BE CONSIDERED
 OVERVOLTAGE CATEGORY: 3
 POLLUTION DEGREE: 3, ONLY IN MATED AND LOCKED CONDITION
 - PROTECTION CLASS: IP 67, ONLY IN MATED AND LOCKED CONDITION
 - TEMPERATURE RANGE:
 TEMPERATURE PLUG/SOCKET: -40 °C TO +85 °C
 TEMPERATURE CABLE: SEE CABLE LIST
 - MECHANICAL OPERATIONS: 100 CYCLES
 - MATES WITH ULTRA-LOCK M12 MALE RECEPTACLES
 - PACKAGING: THE CORDSETS ARE SINGLE PACKED IN PLASTIC BAGS AND DELIVERED IN CARTON BOXES
 - UL CSA FILE REGISTRATION PENDING

FUNCTIONAL SYMBOLS	THIS DRAWING CONTAINS INFORMATION THAT IS PROPRIETARY TO MOLEX ELECTRONIC TECHNOLOGIES, LLC AND SHOULD NOT BE USED WITHOUT WRITTEN PERMISSION		CURRENT REV DESC: NOTES AND CABLE LIST UPDATED		
	$\nabla_A = 0$ $\nabla_E = 0$ $\nabla_P = 0$	DIMENSION UNITS: mm SCALE: 2:1 GENERAL TOLERANCES (UNLESS SPECIFIED): ANGULAR TOL ± 1.0 ° 4 PLACES ± 0.0 3 PLACES ± 0.0 2 PLACES ± 0.05 1 PLACE ± 0.3 0 PLACES ± 0.5	EC NO: 736602 DRWN: RSCHIEBER 2023/01/24 CHK'D: RSILLER 2023/01/31 APPR: RSILLER 2023/01/31	CSE U12ET 4P DC FE RA TPE 1M SE UNSH TE	
DIVISIONAL SYMBOLS	DRAFT WHERE APPLICABLE MUST REMAIN WITHIN DIMENSIONS THIRD ANGLE PROJECTION		INITIAL REVISION: DRWN: RSCHIEBER 2021/04/28 APPR: RSILLER 2021/05/05	PRODUCT CUSTOMER DRAWING	
DOCUMENT STATUS: P1 RELEASE DATE: 2023/01/31 08:21:45			DOCUMENT NUMBER: 1204060008 DOC TYPE: PSD DOC PART: 000 REVISION: A2	MATERIAL NUMBER: SEE SHEET 2 CUSTOMER: GENERAL MARKET SHEET NUMBER: 1 OF 2	

PART LIST

Table with 3 columns: MOLEX NO., ENGINEERING NO., LENGHT (MM). Rows 1-14 with values like 1204060008, EY0A00104M006, 600.

Table with 3 columns: MOLEX NO., ENGINEERING NO., LENGHT (MM). Rows 1-14 empty.

Table with 3 columns: MOLEX NO., ENGINEERING NO., LENGHT (MM). Rows 1-14 empty.

CABLE LIST

Table with columns: 4P, 5P, CABLE TYPE, DESCRIPTION, MATERIAL, FINISH/COLOR, FIXED INSTALLATION * (MIN, MAX), FLEXIBLE INSTALLATION ** (MIN, MAX), DRAG CHAIN (MIN, MAX).

* FIXED POSITION WITHOUT ACCIDENTAL CRUSHING OF VIBRATION.
** FREE MOTION WITHOUT PERIODIC RECURRENCE OR FORCED GUIDANCE.

CABLE LENGTH TOLERANCES table with columns LENGTH and TOLERANCE. Values include 0m-1m +40 mm, >1m-5m +60 mm, etc.

BILL OF MATERIAL:

Table with 7 columns: 4P, 5P, ITEM, QTY, DESCRIPTION, MATERIAL, FINISH/COLOR. Rows include CABLE, CONTACT 10 FE STA AU, PLG U12 4P DC FE PA UNSH, OVERMOLD, I/D CARRIER DIA 4-7MMX30MM.

Technical drawing metadata area including functional symbols (FA=0, FE=0, FV=0), dimension units (mm), scale (1:1), current revision desc, molex logo, EC NO: 736602, DRWN: RSCHIEBER, APPR: RSILLER, INITIAL REVISION, and document number 1204060008.