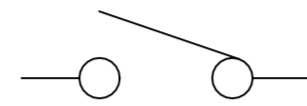
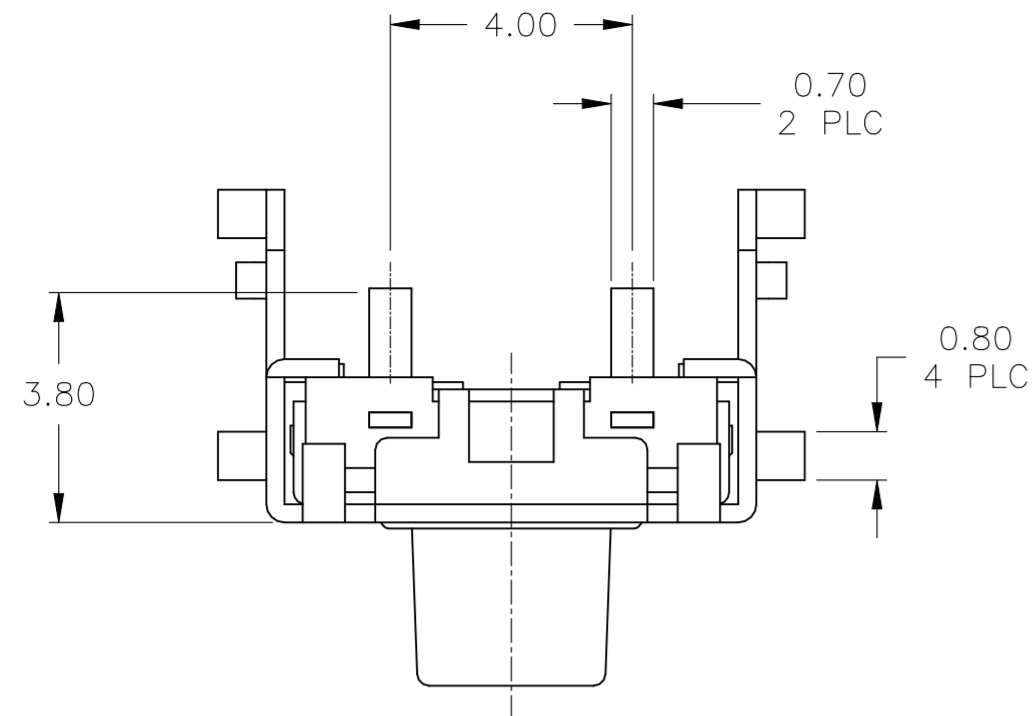


REVISIONS					
P	LTR	DESCRIPTION	DATE	DWN	APVD
	K1	ECR-22-139192	16MAY2022	GSK	DL



CIRCUIT DIAGRAM

SPECIFICATIONS

MATERIALS

CASE: THERMOPLASTIC, UL94V-0, BLACK
 ACTUATOR: THERMOPLASTIC, UL94V-0, BLACK
 COVER: NICKEL SILVER
 SEAL: SILICON RUBBER, BLACK
 CONTACT: STAINLESS STEEL, PLATING-SILVER
 TERMINAL: BRASS, PLATING-SILVER/NICKEL
 BRACKET: CARBON STEEL, PLATING-TIN/NICKEL

ELECTRICAL

MAX CONTACT RATING: 50MILLIAMPS@24V DC
 MIN CONTACT RATING: 10MICROAMPS@1V DC
 INITIAL CONTACT RESISTANCE: 100 MILLIOHMS MAX, PER EIA RS-448, METHOD 1
 INSULATION RESISTANCE: 100 MEGOHMS MIN @ 100VDC PER EIA RS-186-13E
 DIELECTRIC STRENGTH: 500 VAC 50/60 Hz FOR 1 MINUTE PER EIA RS-186-4E
 CONTACT BOUNCE: 10 MILLISECOND MAX PER EIA-448-18, METHOD 15

MECHANICAL

ACTUATOR OPERATING FORCE: SEE TABLE
 ACTUATOR TRAVEL: 0.35±0.2mm

DURABILITY

UP TO 1,000,000 CYCLES, AT RATED LOAD PER EIA-RS-448, METHOD 8
 FINAL CONTACT RESISTANCE: 200 MILLIOHMS MAX
 CONTACT BOUNCE: 20 MILLISECONDS MAX
 ACTUATOR FORCE: WITHIN ±30% OF INITIAL VALUE

ENVIRONMENTAL

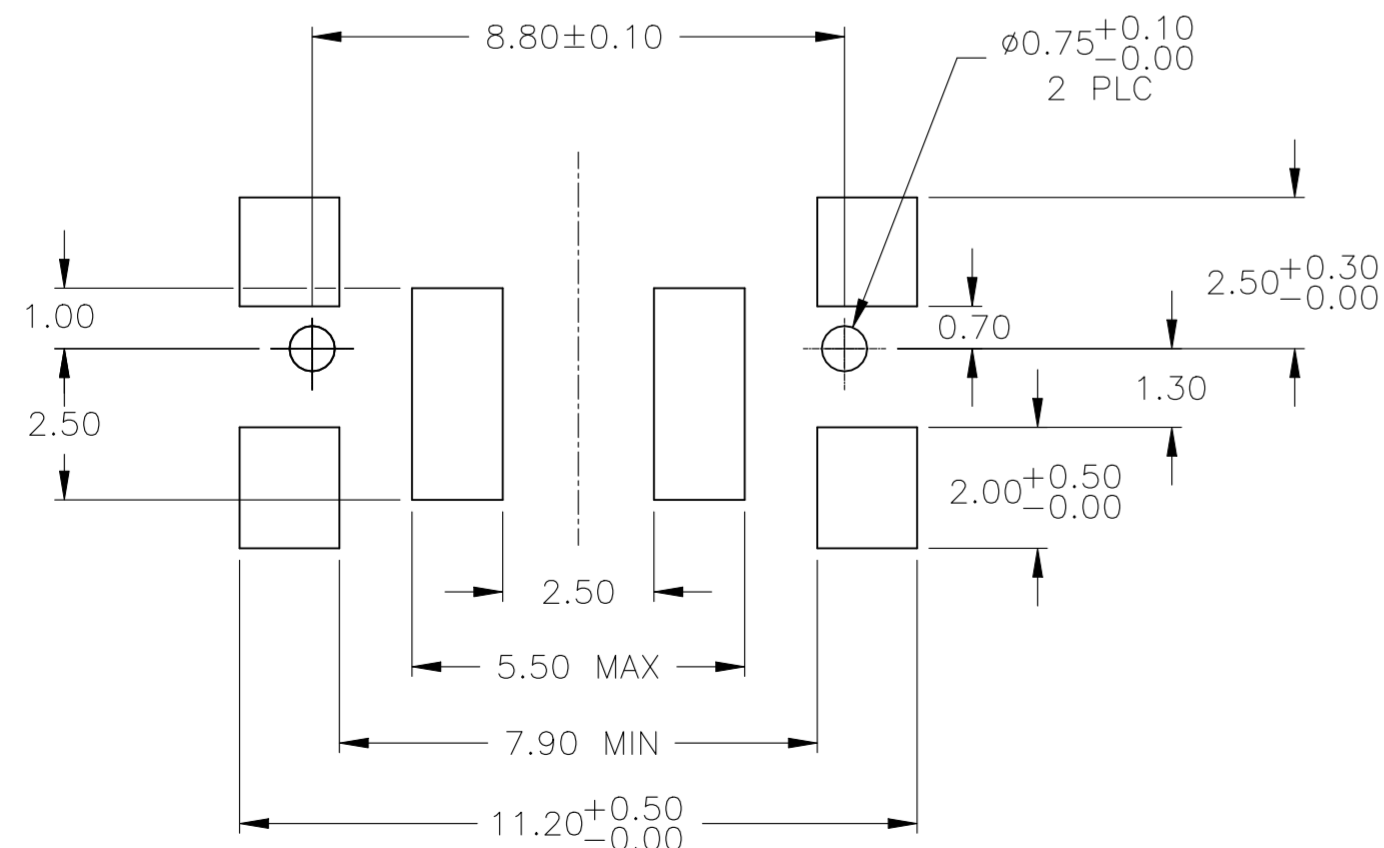
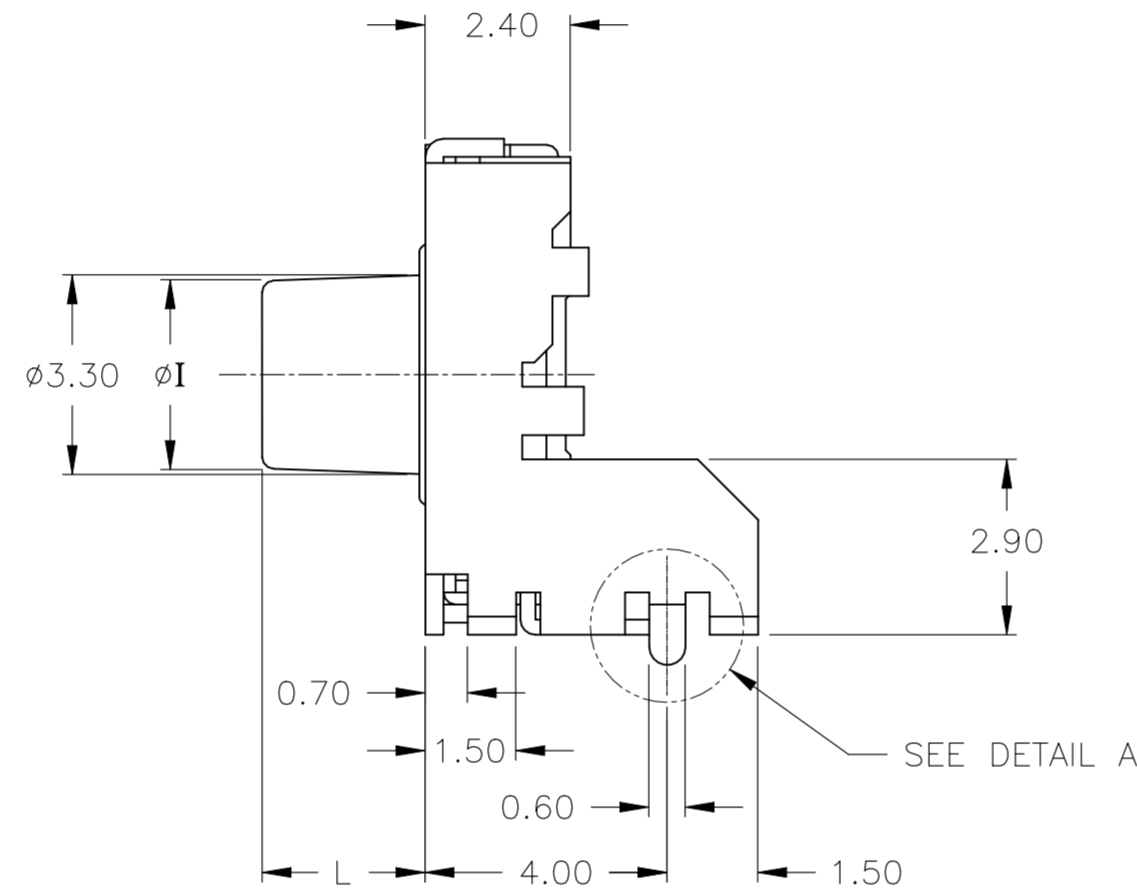
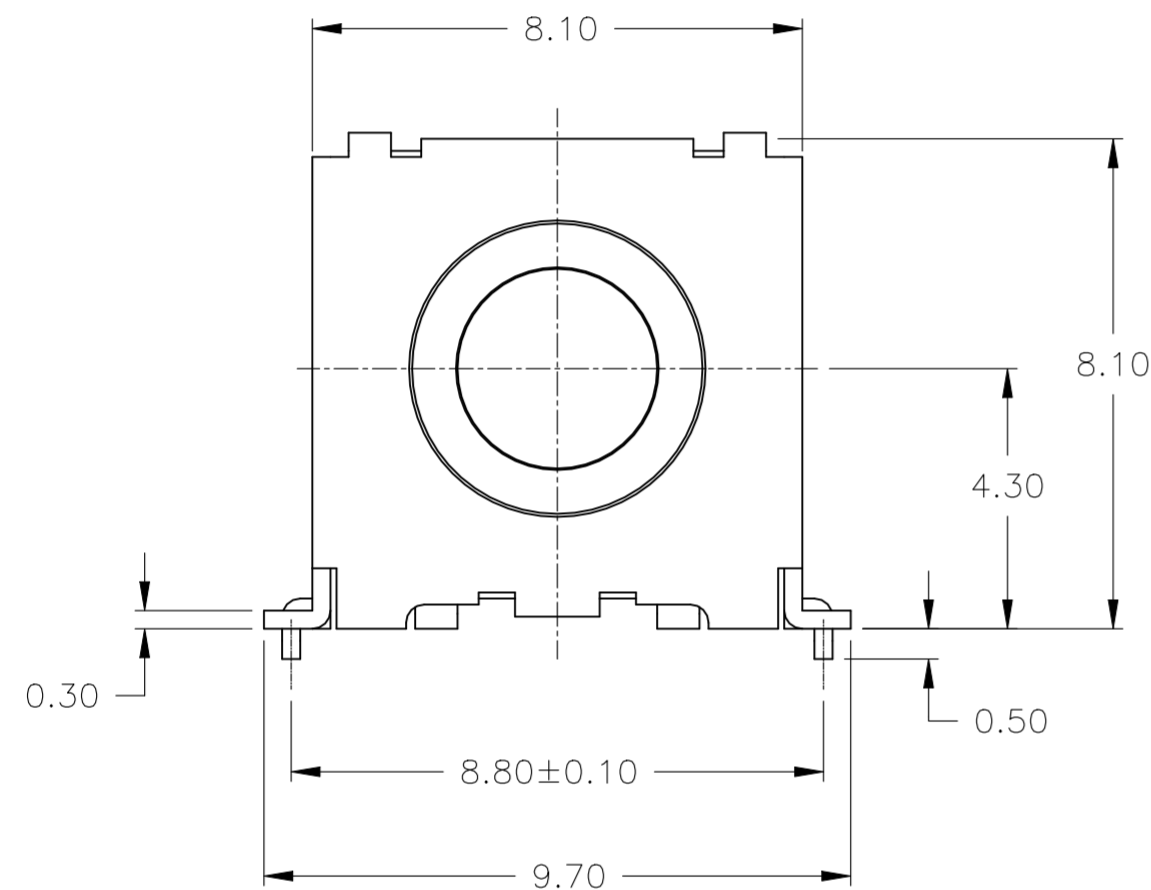
OPERATING TEMPERATURE RANGE: -35°C to +85°C
 STORAGE TEMPERATURE RANGE: -35°C to +85°C
 HUMIDITY: 96 HOURS PER EIA-186-1E
 INSULATION RESISTANCE: 10 MEGOHMS MIN
 DIELECTRIC STRENGTH: 250VAC
 CONTACT RESISTANCE: 100 MILLIOHMS MAX
 DRY HEAT TEST: 85°C FOR 96 HOURS PER IEC 60068-2-2, TEST B,
 NO CHANGE IN INITIAL ELECTRICAL AND MECHANICAL CHARACTERISTICS
 COLD TEST: -35°C FOR 96 HOURS PER IEC 60068-2-1, TEST A;
 NO CHANGE IN INITIAL ELECTRICAL AND MECHANICAL CHARACTERISTICS
 THERMAL CYCLING: 5 CYCLES, -35°C to +85°C
 HUMIDITY-TEMPERATURE CYCLING, EIA 364-31B, METHOD III
 CONTACT RESISTANCE 100 MILLIOHMS MAX
 RESISTANCE TO SOLDERING HEAT PER 109-202, COND B

SOLDERABILITY: PER EIA RS-186-9E

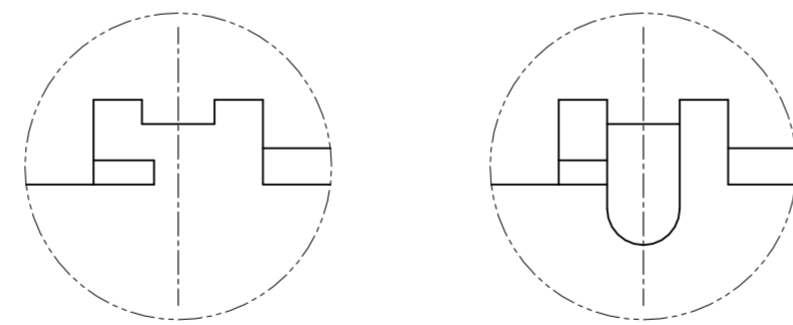
SEALED PER IP67

NOTES:

- ALL MATERIALS AND FINISHES SHALL COMPLY WITH EU DIRECTIVE 2002/95/EC OF 27JAN2003 (ROHS)



P.C.B MOUNTING SOLDER LAND DIMENSION



WITHOUT GUIDE PIN WITH GUIDE PIN

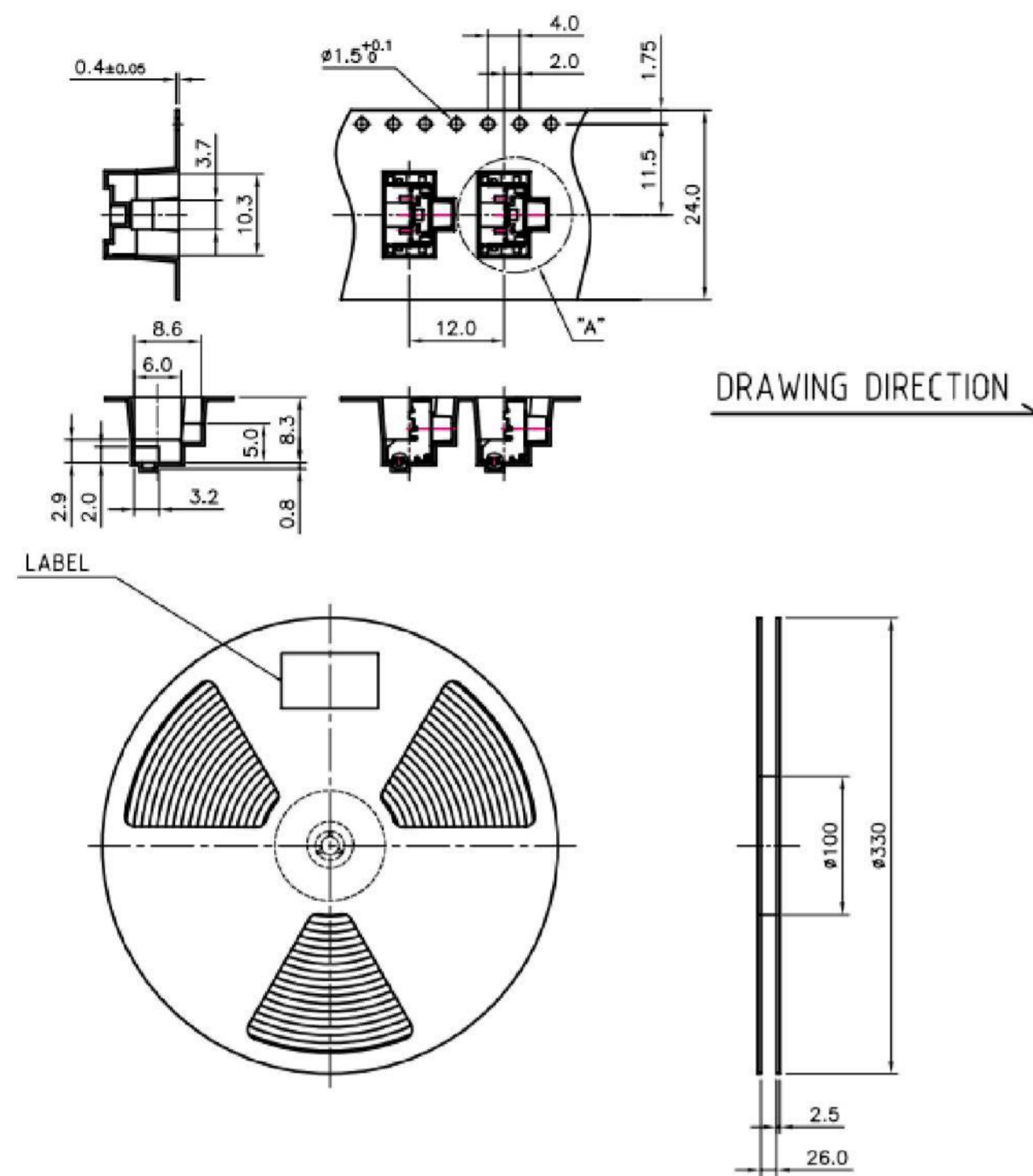
DETAIL A

	WITH GUIDE PIN	T/R	130±50gf	3.1	2.7	1571300-3
	WITH GUIDE PIN	BULK	130±50gf	3.1	2.7	1571300-2
OBSOLETE	WITHOUT GUIDE PIN	BULK	130±50gf	3.1	2.7	1571300-1
	DETAIL A	PACKAGING	OPERATING FORCE	I	L	TE PART NUMBER

THIS DRAWING IS A CONTROLLED DOCUMENT.		DWN	R BROWN	18DEC02	 TE Connectivity Ltd.
DIMENSIONS: mm		CHK	M SARVER	18DEC02	
TOLERANCES UNLESS OTHERWISE SPECIFIED:		APVD	M SARVER	18DEC02	NAME
0 PLC	± -	PRODUCT SPEC		SWITCH ASSEMBLY, TACTILE, RIGHT ANGLE, SMT, SEALED	
1 PLC	± -	APPLICATION SPEC		SIZE	CAGE CODE
2 PLC	± 0.30	-		A2	00779
3 PLC	± -	-		DRAWING NO	
4 PLC	± -	-		C=1571300	
ANGLES	± -	WEIGHT		RESTRICTED TO	
FINISH	-	CUSTOMER DRAWING		SCALE	SHEET
				8:1	1 of 2
				REV	K1

REVISIONS					
P	LTR	DESCRIPTION	DATE	DWN	APVD
-	-	SEE SHEET 1	-	-	-

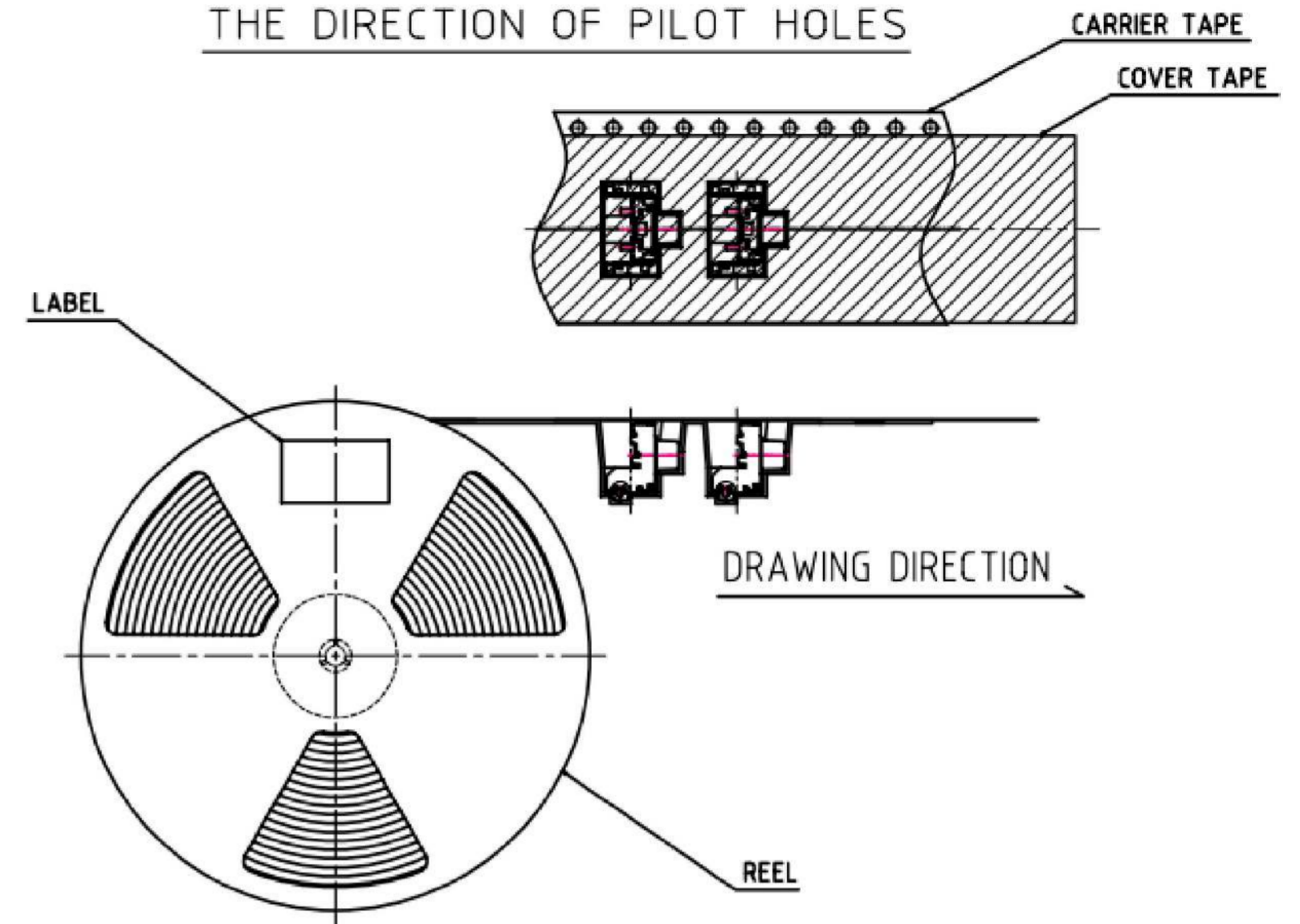
THE DIMENSION OF CARRIER TAPE, COVER TAPE AND REEL



DRAWING DIRECTION

DETAIL OF "A"

THE DIRECTION OF PILOT HOLES



DRAWING DIRECTION

END TAPE

CARRIER TAPE

COVER TAPE

END TAPE

REEL

5.0 MAX

30.0 MAX

8.0~10.0

ADHESIVE AREA

THIS DRAWING IS A CONTROLLED DOCUMENT.		DWN R BROWN 18DEC02	TE Connectivity Ltd.	
DIMENSIONS: mm		CHK M SARVER 18DEC02		
TOLERANCES UNLESS OTHERWISE SPECIFIED:		APVD M SARVER 18DEC02	NAME SWITCH ASSEMBLY, TACTILE, RIGHT ANGLE, SMT, SEALED	
0 PLC ± -		PRODUCT SPEC	SIZE A2	CAGE CODE 00779
1 PLC ± -		APPLICATION SPEC	DRAWING NO C=1571300	RESTRICTED TO -
2 PLC ± 0.30			SCALE 8:1	SHEET 2 of 2
3 PLC ± -			REV K1	
4 PLC ± -				
ANGLES ± -				
FINISH		WEIGHT		
MATERIAL		CUSTOMER DRAWING		