

Fig. 1

1. INTRODUCTION

This instruction sheet covers the use of the AMP Insertion Tool 91022-1 which is designed to insert AMP Standard and Miniature DUALATCH Contacts into their housings. Read these instructions carefully before inserting the contacts.

2. DESCRIPTION (Figure 1)

The insertion tool features a handle and an insertion tip which is used to hold and place the contact into the contact cavity.

3. INSERTION PROCEDURES (Miniature)

1. Partially insert the contact into the rear of the housing. Make sure the claw of the contact enters the offset channel in the contact cavity (see Figure 2).
2. Place the insertion tool tip against the shoulder of the contact as shown in Figure 1. Allow the wire from the contact to rest in the channel of the tool tip.
3. Push the contact into the cavity until the tool tip bottoms against the rear of the housing.
4. The claw of the contact should snap over the raised lip in the cavity. Pull the wire to make sure the contact is properly seated in the contact cavity.

4. INSERTION PROCEDURES (Standard)

1. Partially insert the contact into the rear of the housing. Make sure the claw of the contact is aligned with the embossment on the front of the housing (see Figure 2).

2. Place the insertion tool tip against the shoulder of the contact as shown in Figure 1. Allow the wire from the contact to rest in the channel of the tool tip.
3. Push the contact straight into the contact cavity until the claw latches over the embossment.

NOTE *If the claw is not hooked on the embossment, the contact may snap loose from the contact cavity.*

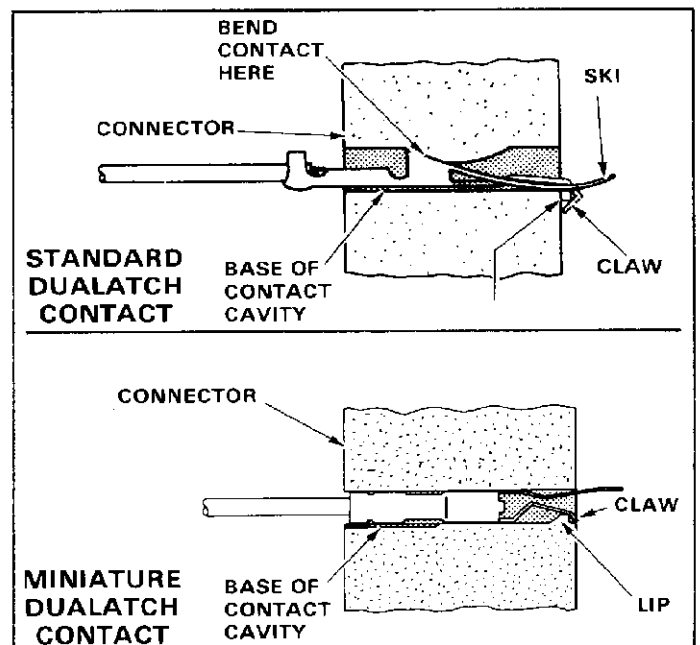
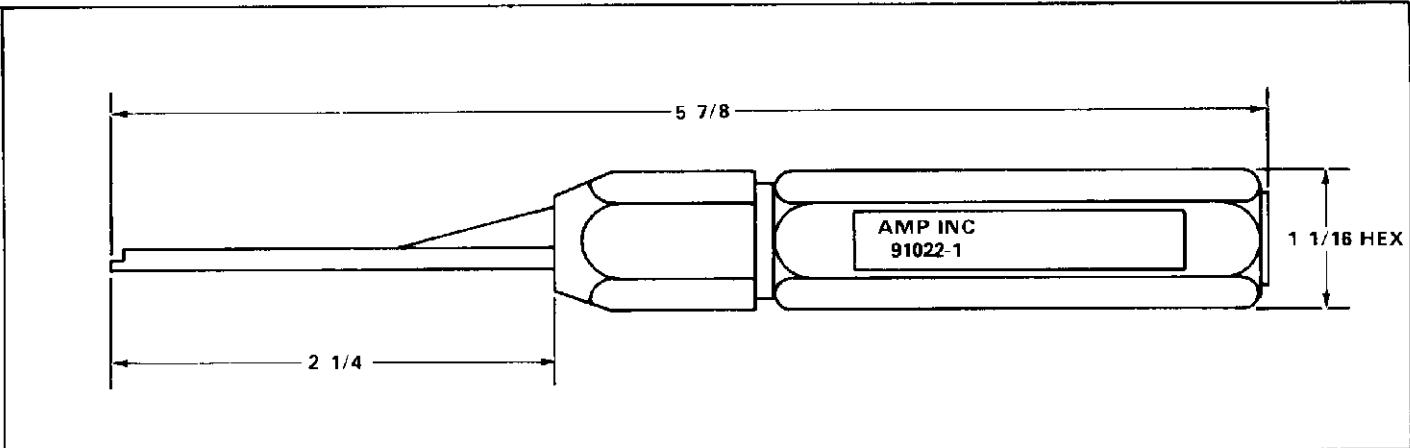


Fig. 2

Copyright 1965, 1979 by AMP Incorporated, Harrisburg, Pa. All International Rights Reserved. AMP Incorporated products covered by U.S. and Foreign patents and/or patents pending.

* Trademark of AMP Incorporated



INSERTION TOOL	PRODUCT DESIGNED FOR	ENGINEERING APPROVAL	DATE
91022-1	AMP STANDARD AND MINIATURE DUALATCH CONTACTS	<i>R. D. Kantz</i>	11/5/79

Fig. 3

5. TOOL CERTIFICATION

The tool listed in this instruction sheet should be certified with the information provided in Figure 3. We recommend that you inspect the tool immediately upon arrival in your factory, and at regularly scheduled intervals, to ensure that the tool has not been damaged.

Additional tools can be purchased from:

AMP Incorporated
 Eisenhower Boulevard
 Harrisburg, Pennsylvania 17105