

Assembly Guide of CM4 Cooler

1. Product Introduction:

CM4 Cooler is a heatsink specially designed for Raspberry Pi Compute Module 4.

Three thermal-conductive pads are attached on the back of CM4 Cooler to ensure CM4 Cooler closely attached with the CPU, Wireless Module and PMU on the Compute Module 4. The heat of these three components is dissipated by CM4 Cooler through the three thermal-conductive pads.

There are four nylon washers packed with CM4 Cooler, 1.5mm height & 3mm height optional for 1.5mm and 3mm height 100pin board to board connector. They are used to support Compute Module 4 and avoid the damage of board-to-board connector or deformation of Compute Module 4 when the screws are used to fix CM4 Cooler on the Compute Module 4

CM4 Cooler is available in black and silver color.

Dimension: 55 mm(L) x 40 mm(W) x 13.5mm(H); Weight: 40g.

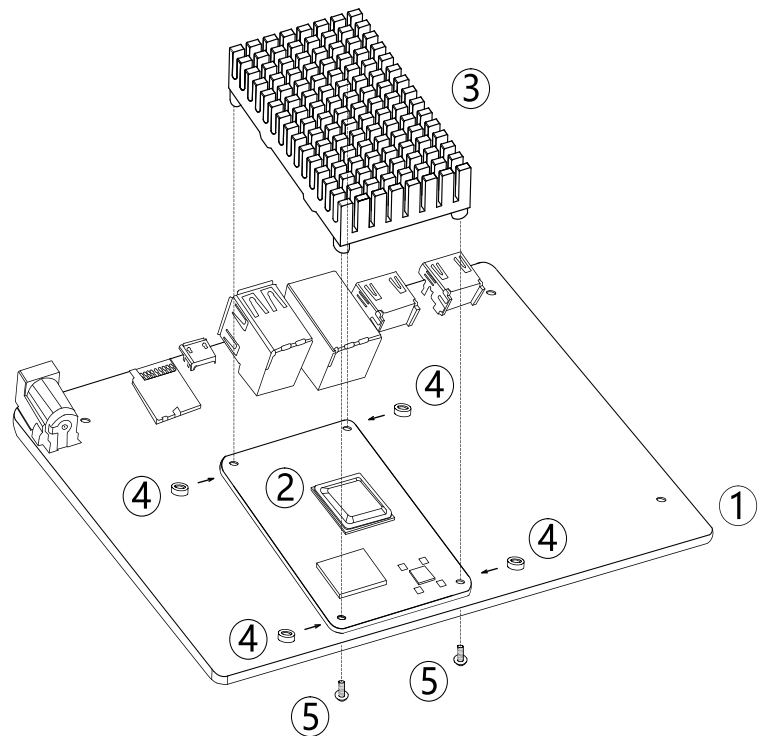
2. Assembly Guide:

①. Special Notes:

- Please follow the below guide when installing CM4 Cooler, wrong operation may not be able to fix CM4 Cooler on the CM4 Module and base board, may even damage CM4 or PCB.

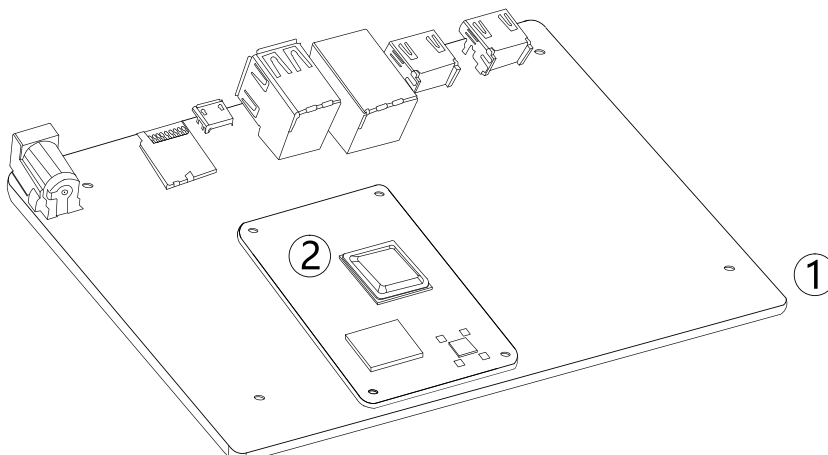
②. The List of Parts

NO.	Name of Parts	Quantity
①	Base Board (not provided)	1
②	CM4 Module (not provided)	1
③	Antenna (optional)	1
④	CM4 Cooler	1
⑤	Nylon washers- 6mm*1.5mm/3mm	4
⑥	Screws -M2.5*6/8mm	4

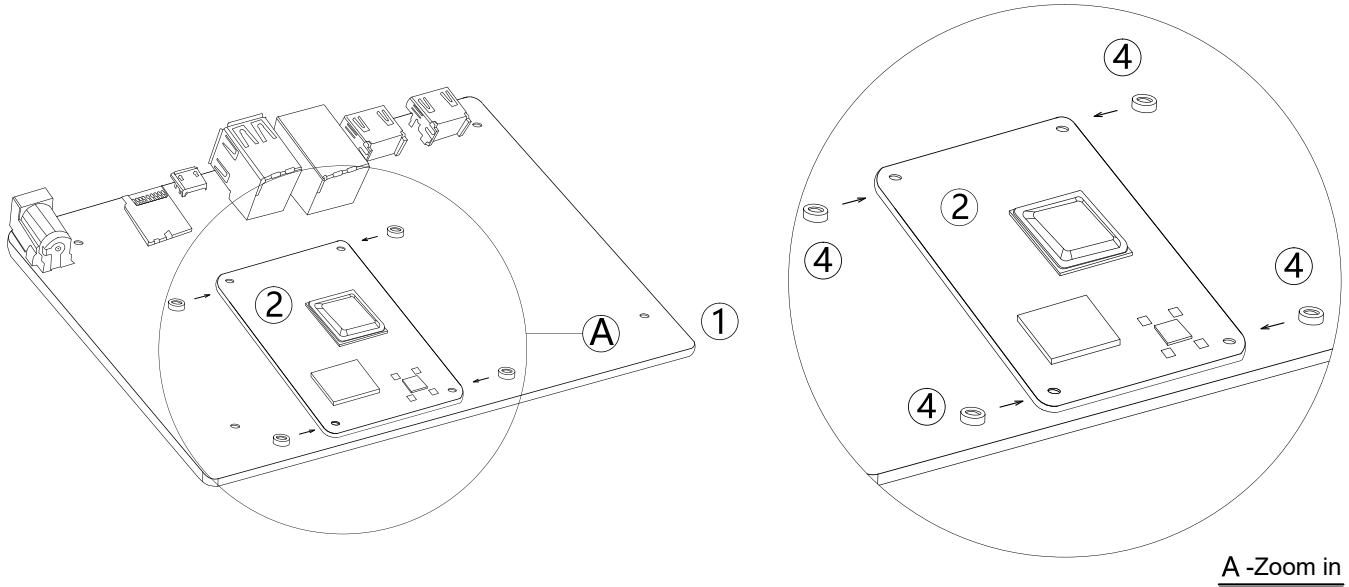


③. Assembly Chart

- a) . Install the CM4 Module on the base board, plug the antenna on the socket of RF connector on the CM4 Module.



- b) . Insert the four black nylon washers from the side of the gap between the four corners of the CM4 Module and the PCB. The mounting holes of the four nylon washers should be aligned with the four mounting holes of the CM4 Module. The nylon washer has two sizes, 1.5mm height*6mm diameter and 3mm height*6mm diameter, which are to support 1.5mm or 3mm height 100pin board to board connector correspondingly.



A -Zoom in

- c) . When the three thermal conductive silicon pads on the CM4 Cooler are aligned with the three components on the CM4 Module, attach CM4 Cooler with CM4 Module. Fix them on the CM4 IO board by screwing screws from the bottom of base board.

Important Note: When install CM4 Cooler, please make sure the thermal conductive silicon pads are aligned with the three components on the CM4 Module correctly. Then you can screw to fix the CM4 Cooler.

