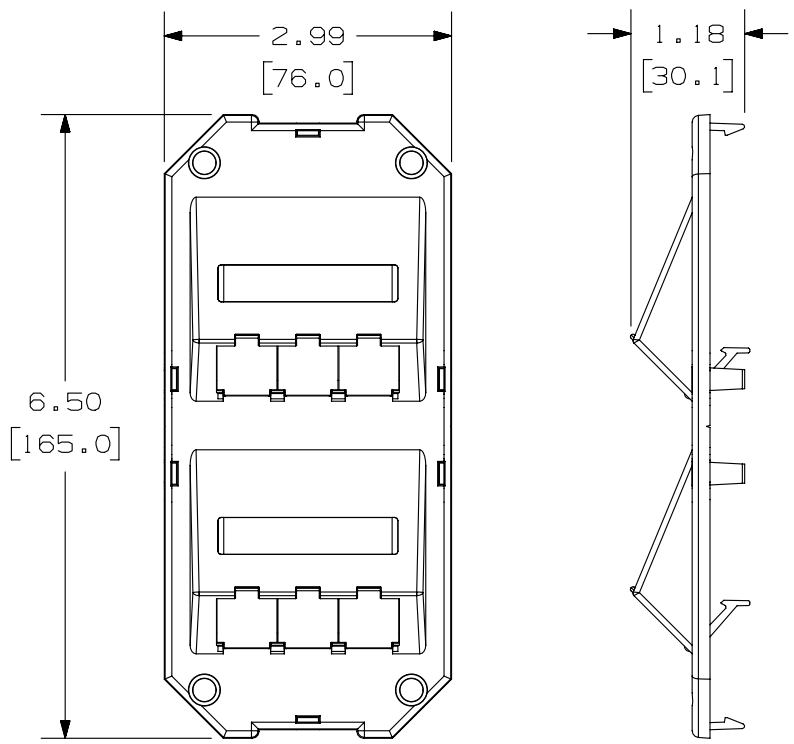


THIS COPY IS PROVIDED ON A RESTRICTED BASIS AND IS NOT TO BE USED IN ANY WAY DETRIMENTAL TO THE INTERESTS OF PANDUIT CORP.



PANDUIT P/N	WEIGHT
CFPGAS6S**	.84 LB/10 PCS (383.7 g/10 PCS)

- NOTES:
1. SEE CURRENT CATALOG FOR ADDITIONAL PART NUMBER SUFFIXES TO INDICATE COLOR AND OR PACKAGE QUANTITY.
  2. SEE CATALOG FOR COMPLETE LIST OF PARTS APPLICABLE FOR USE WITH THIS PART.
  3. DIMENSIONS IN PARENTHESES ARE IN METRIC.
  4. PART INCLUDES:  
2- LABEL/LABEL COVER  
1- 6 POSITION FACEPLATE  
6- SHUTTER DOOR (ASSEMBLED TO FACEPLATE)
  5. USE WITH ACKERMANN GB2 SUB-BOX (ACKERMANN PART # 30354A)

ACKERMANN IS A TRADEMARK OF NOVAR PLC, WEYBRIDGE, SURREY, UNITED KINGDOM

PART NUMBER		CFPGAS6S**	
TITLE			
MINI-COM 6 POSITION SLOPED SHUTTERED ACKERMANN		FACEPLATE	
CUSTOMER DRAWING			
ITEM REVISION NAME		M01012AA/05	
DATASET FILE NAME		M01012AA_DC/05B	
UNLESS OTHERWISE SPECIFIED, DIMENSIONAL TOLERANCES ARE: IN (mm)		MATERIAL:	
.x ± .xxx ± .010 (.3)		ABS	
.xx ± .03 (.8) ANGLES ±		DRAWING NUMBER:	
THIRD ANGLE PROJECTION		01012-05	
DRAWN BY	DATE	CHK	SCALE
JSP	10-2-01	MJD	NONE
REV	DATE	BY	CHK
2	4/8/14	JSP	REFR
APR	DESCRIPTION		ECN
MMR	B. REVISED AND REDRAWN, PREVIOUS REVISIONS HAVE BEEN OMMITTED.		01012-05
SHT 1 OF 1		A	

D10100DA/14