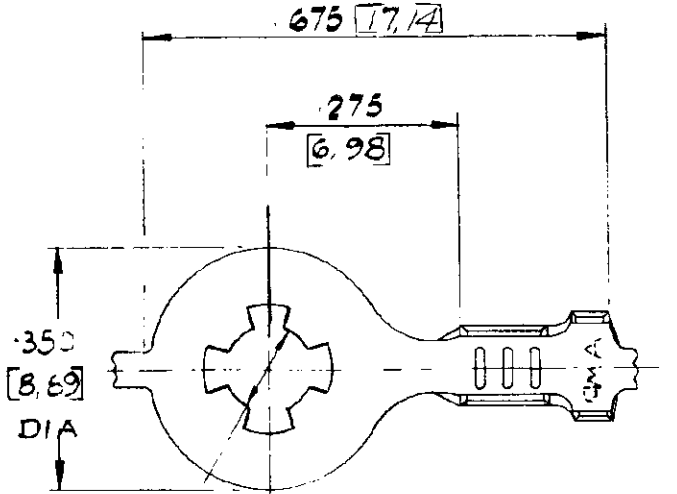


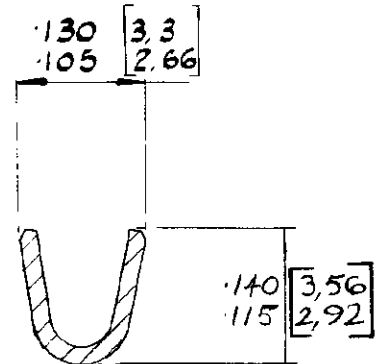
NUMBER
C 154672

3rd ANGLE (AMERICAN) PROJECTION

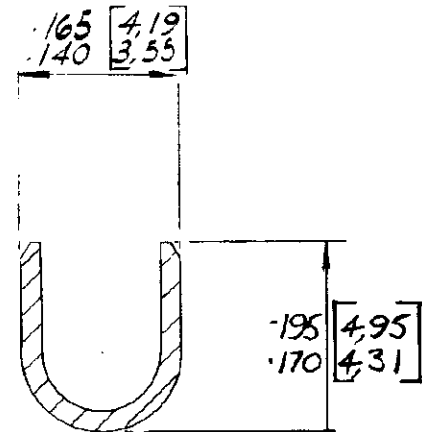
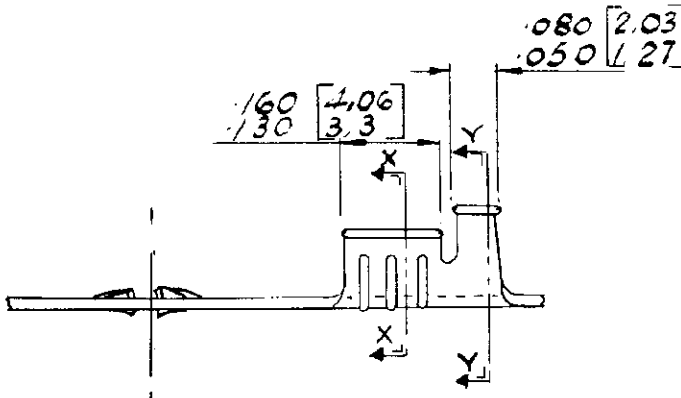
DIMENSIONS IN INCHES. DO NOT SCALE PRINT
DIMENSIONS THUS [] IN MM.



STUD HOLE .131 [3,33] DIA.
(TO SUIT 3MM STUD)



SECTION X-X
SCALE 6:1



SECTION Y-Y
SCALE 6:1

154672-3	STEEL	NICKEL
154672-2	STEEL	ELECTRO-TIN
154672-1	STEEL	NONE
PART NO	MATERIAL	FINISH

NOTE:-
INSULATION RANGE .120 [3,05] DIA.

© AMP of GREAT BRITAIN LTD 1974

CUSTOMER COPY REFERENCE ONLY

MATERIAL AND FINISH
.018 [0,46] THICK
SEE TABLE

AMP of Great Britain Ltd

TERMINAL HOUSE, STANMORE, MIDDX.

0 RELEASED FOR PRODUCTION PS 19/274

WIRE - RANGE - INSULATION	TYPE
20-16 SEE NOTE	
TOLERANCE EXCEPT AS NOTED	SCALE
+ 015 [0,38] ± 1°	4:1

LTR	REVISION RECORD	DR	CHK	DATE
DR	C.E. SLOUGH 12/6/74	DE		
CHK	B. SMITH 10/6/74	APP		

LOC E NO A C 154672

NAME SHAKE PROOF RING TONGUE

PRINT DIST.

[PART NO WAS CP74-13442]

GAF 9245/70