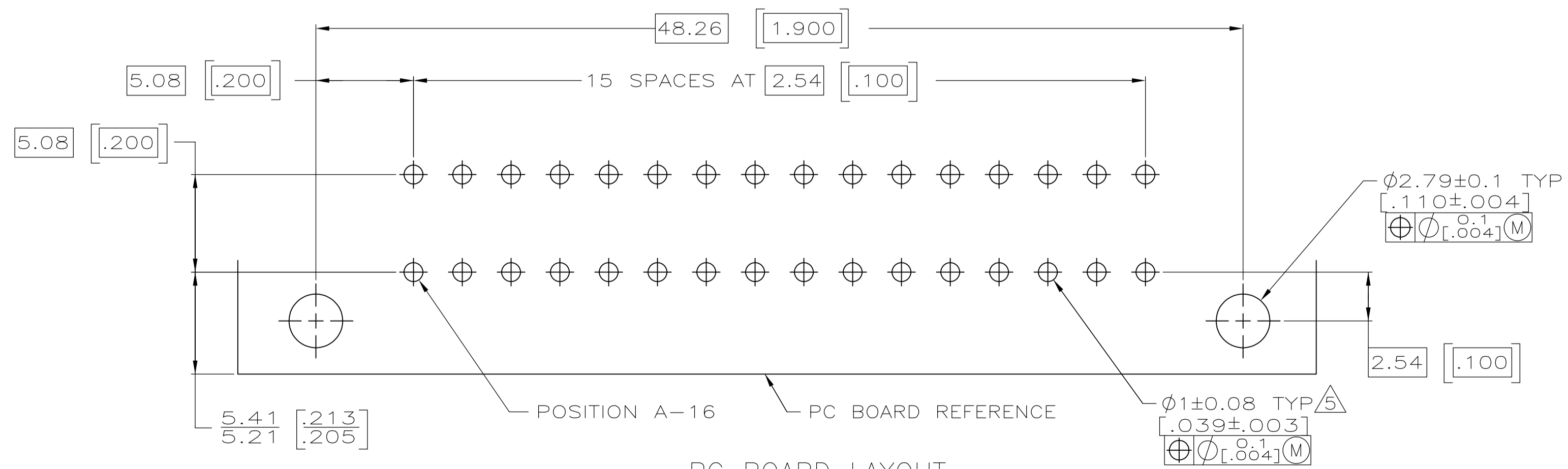
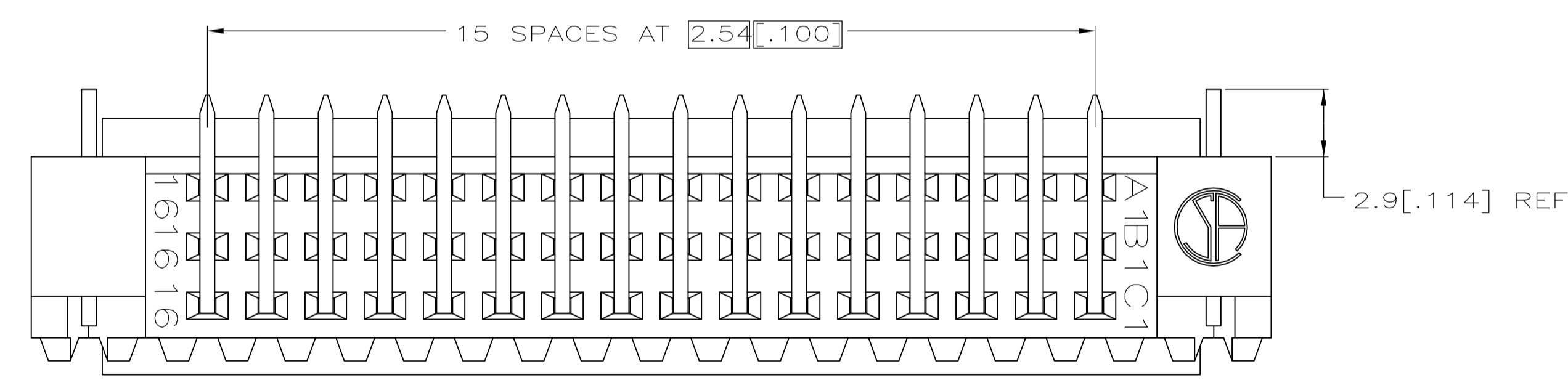
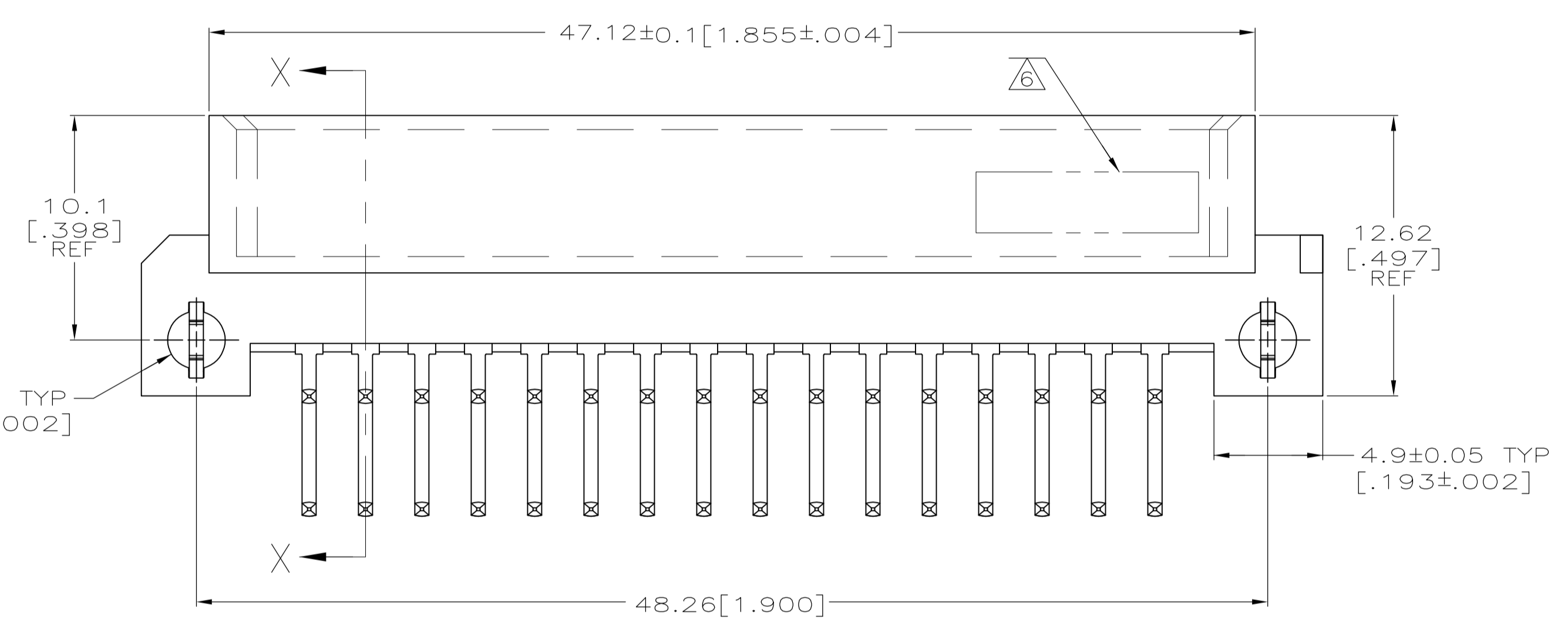
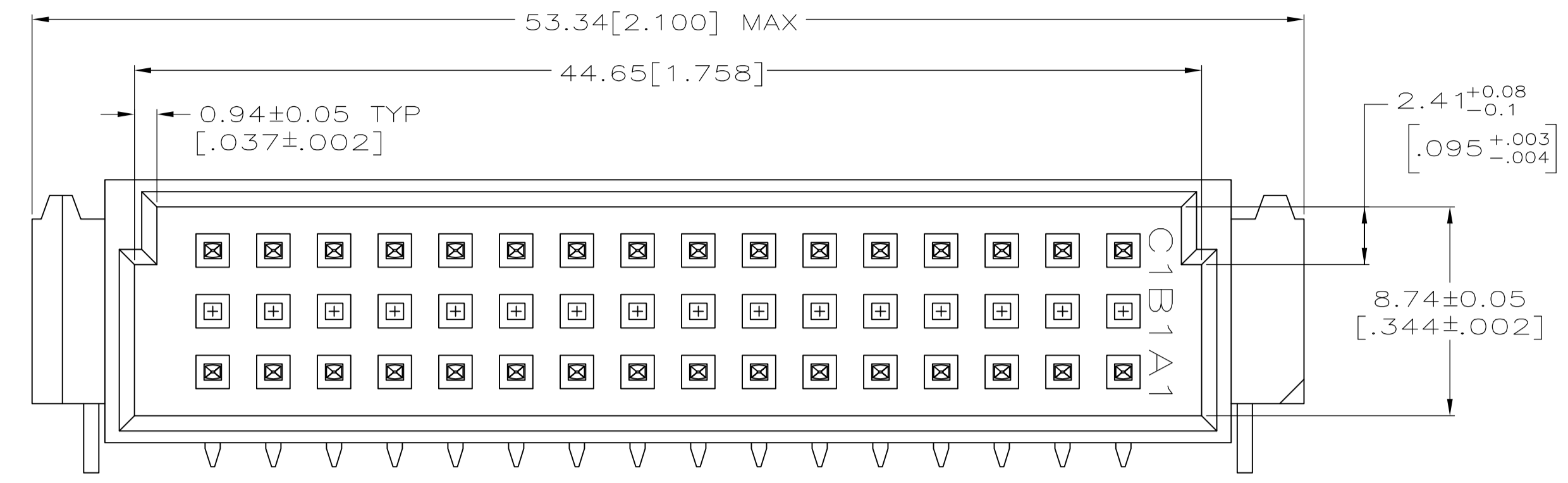
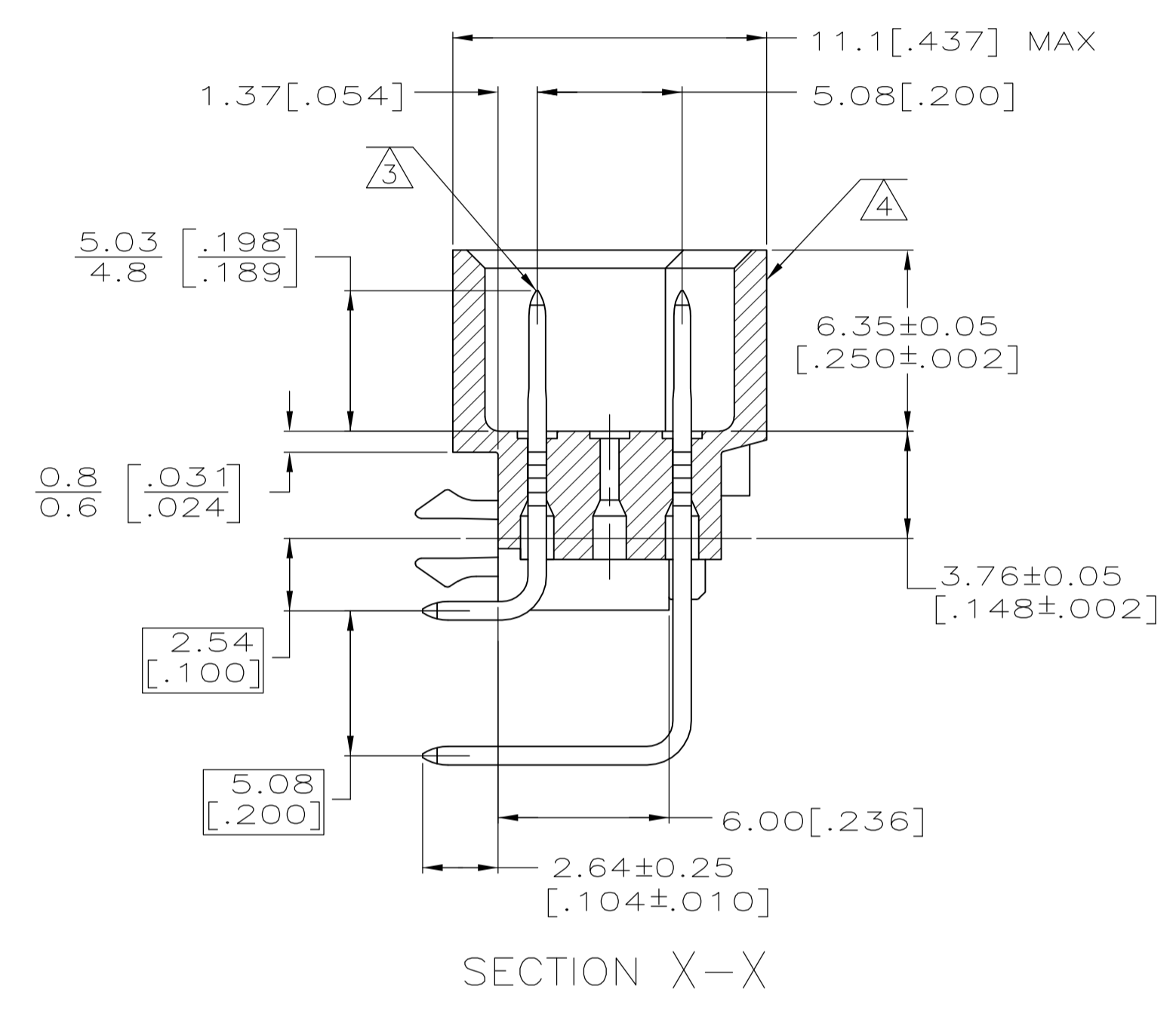


LOC		DIST		REVISIONS			
P	LTR	DATE	DNW	APVD			
A	REVISED PER ECO-15-006790	06MAY2015	AP	RP			

- 1 HOUSING MATERIAL: GLASS-FILLED POLYMER.
- 2 POST MATERIAL: COPPER ALLOY.
- 3 POST FINISH: DIN 41612 CLASS 2 IN CONTACT AREA. TIN PLATE ON POSTS.
- 4 MARKING ON THIS SIDE.
- 5 RECOMMENDED HOLE SIZE FOR MANUAL APPLICATION OF CONNECTOR ONTO PC BOARD.
- 6 PART NUMBER, DATE CODE MARKED THIS APPROXIMATE AREA.



PC BOARD LAYOUT  
RECOMMENDED PC BOARD THICKNESS 1.57[.062]



REFERENCE FAMILY DRAWING 650473 FOR ALL TYPE C HEADER OFFERINGS

1-16	X	-	X	32	5650978-5
POSITIONS LOADED	C	B	A	NO. OF LOADED POSITIONS	ASSY PART NUMBER
	ROWS LOADED				

THIS DRAWING IS A CONTROLLED DOCUMENT.		DIN J. POLIGNONE		OSMAYOS	
DIMENSIONS: mm [INCHES]		TOLERANCES UNLESS OTHERWISE SPECIFIED:		APVD A. SHARPE	
0 PLC	± -	1 PLC	± -	2 PLC	± 0.13[.005]
3 PLC	± -	4 PLC	± -	ANGLES	± -
MATERIAL	1 2	FINISH	3	SIZE	CAGE CODE
				A1	00779
CUSTOMER DRAWING			SCALE	SHEET	REV
			5:1	1 of 1	A