



## CMCP1100ST Series Side Entry Low Cost Compact Accelerometer with Temperature



### Features:

- Low Cost Compact Accelerometer
- 100mV/g  $\pm 5\%$
- 0.32Hz to 10kHz Frequency Response
- 10mV/ $^{\circ}$ C Temperature Output
- Waterproof, Epoxy Encapsulated
- Integral TPE Jacketed Cable
- UV and Oil Resistant
- Stainless Steel Case
- 5m, 10m and 20m Stocked Cable Lengths



### Typical Applications

Fans, Motors, Pumps, Compressors, Centrifuges, Conveyors, Air Handlers, Gearboxes, Rolls, Dryers, Presses, Cooling, HVAC, Spindles, Machine Tooling, Process Equipment and many more.

### Technical Performance

Mounted Base Resonance: >25 kHz (nominal)  
 Sensitivity: 100mV/g  $\pm 5\%$  Nominal 80Hz at 22 $^{\circ}$ C  
 Frequency Response: 1.5 Hz to 8 kHz  $\pm 10\%$  (90cpm to 480kcpm)  
 0.32 Hz to 10 kHz  $\pm 3$ dB (19.2cpm to 600kcpm)  
 Temperature Output: 10mV/ $^{\circ}$ C  
 Isolation: Case Isoalted  
 Measurement Range:  $\pm 50$  g  
 Transverse Sensitivity: Less than 5%

### Electrical

Excitation Voltage: 18 to 28 VDC  
 Electrical Noise: 0.1mg max  
 Current Range: 2 to 20mA  
 Bias Voltage: 8-12 Vdc  
 Settling Time: 2.0 Second  
 Output Impedance: <100 Ohms max.  
 Case Isolation: >10<sup>8</sup> Ohms at 500 Volts

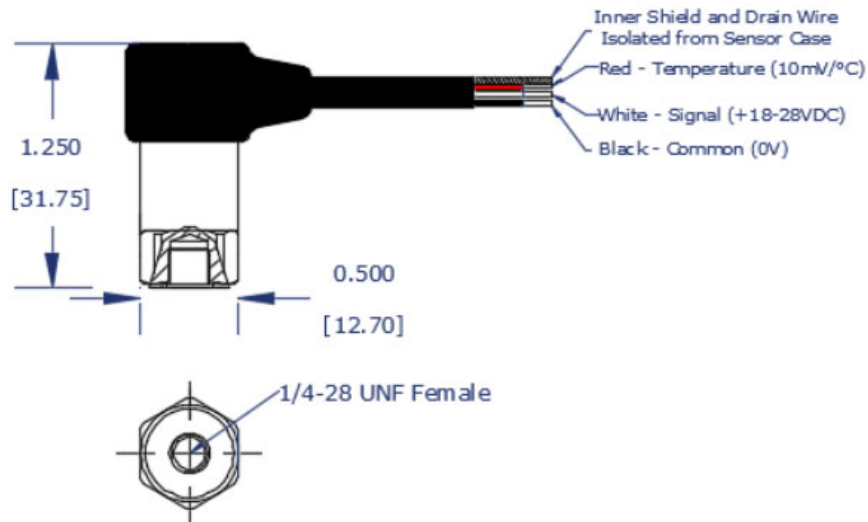
### Environmental

Operating Temperature Range: -65 to 185 $^{\circ}$ F (-54 to 85 $^{\circ}$ C)  
 Sealing: Epoxy Encapsulated  
 Maximum Shock: 7,000 g  
 Approvals: CE Approved

### Mechanical

Case Material: Stainless Steel  
 Sensing Element: PZT/Shear  
 Mounting Torque: 5.9ft. lbs (8Nm)  
 Weight: 2.5 Oz (70.7 grams)  
 Cable Jacket: TPE  
 Cable Length: See Ordering Information  
 Cable Temperature Rating: 120 $^{\circ}$ C  
 Mounting Thread: 1/4-28 UNF

## Dimensions and Wiring



## Ordering Information:

CMCP1100ST	-XX	-XX	-XX	Description
	-05			5 Meter (16') Integral Cable
	-10			10 Meter (32') Integral Cable
	-20			20 Meter (64') Integral Cable
		-00		Flying Leads (Bare Wire)
			-00	Standard TPE Cable
			-03	TPE Jacketed Cable with Stainless Steel Braided Armor

Example Part Number: CMCP1100ST-05-00-00 (5 Meter Cable, Flying Leads, Standard Cable)

## Similar Products



**M12 Connector**  
CMCP786A-M12



**Submersible**  
CMCP786A-IP



**Integral Armored Cable**  
CMCP786A-I