

Material: Aluminium with Cr3 passivation

For models with connectors SMA, QMA, SMA 2.9

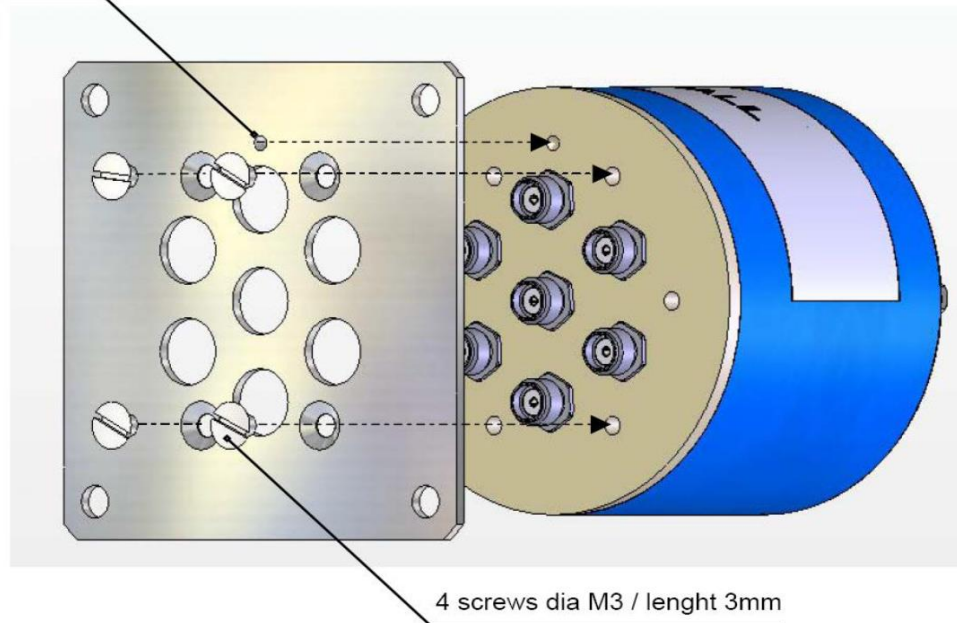
Model	Type	Options	Number of positions	RADIALL part number
R573 series	All *	All *	3 to 6	R599310000
R574 series	All	All	3 to 6	R599311000
R573 series R574 series	All	All	8	R599312000
R573 series R574 series	All	All	10	R599313000
R573 series R574 series	All	All	12	R599314000

(* Excepted type 0 or 1 with option 0 - 1 - 3 or 4 and type 2 or 3 with option 0 or 1)

MOUNTING PROCESS

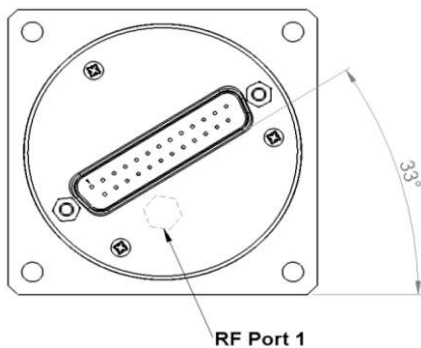
- 1) Assemble the Square flange on the RF body of the switch as the following drawing below.
CAUTION: don't forget to position correctly the reference mark of port 1
- 2) Screw the four screws (delivered with the square flange)

reference mark of port 1

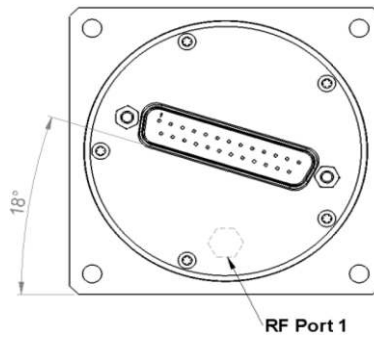


D-SUB CONNECTOR LOCATION

**R573 & R574
3 to 6 positions**



**R573 & R574
9 & 10 positions**



**R573 & R574
7 & 8 positions
11 & 12 positions**

