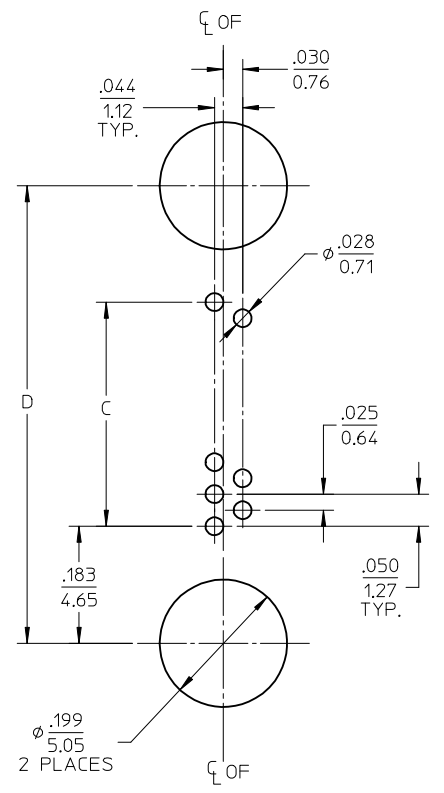
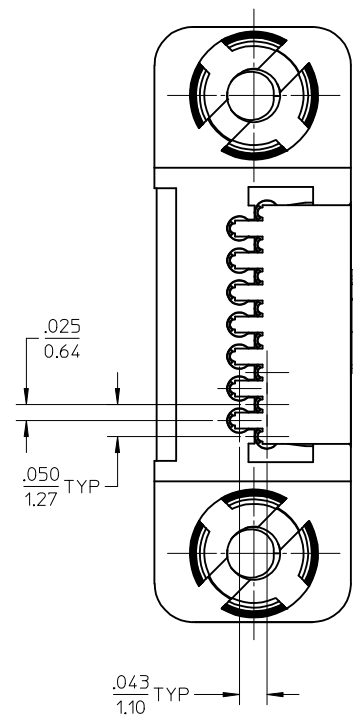
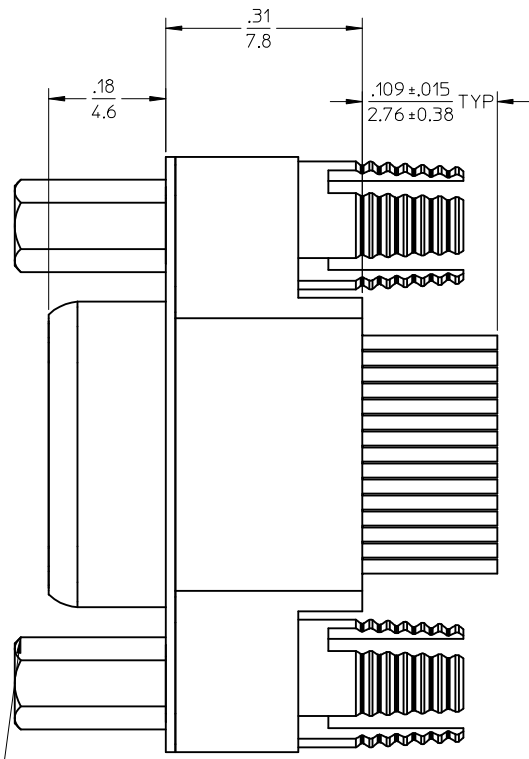
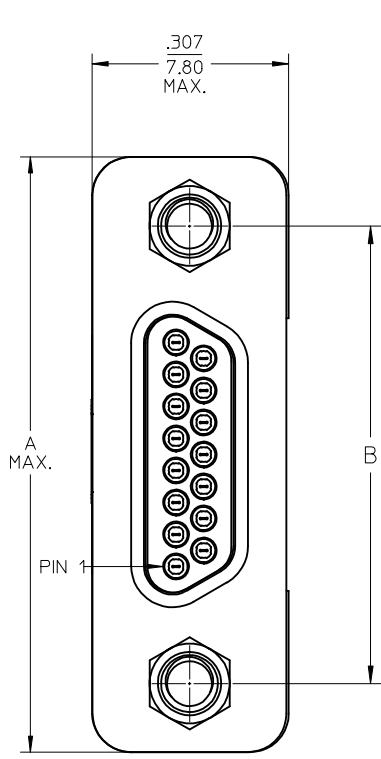


10	9	8	7	6	5	4	3	2	1
PART NUMBER	SIZE	A MAX.	B NOM.	C REF.	D NOM.				
836129024	15	.935	.715	.350	.715				



2-56 JACKPOST
2 PLACES

RECOMMENDED
P.C.B. LAY-OUT
.060/152 PANEL THICKNESS

2. RoHS COMPLIANT
1. REFER TO PS-83421-9000 FOR PRODUCT SPECIFICATION.
NOTES: UNLESS OTHERWISE SPECIFIED.

UPDATED JACKPOSTS
EC NO: IFG2014-1899
DRAWN: BARDEN
CHKD:
APPR: BWOODMAN
2014/08/11
2014/08/21

QUALITY SYMBOLS	DESCRIPTION
▽=0	
∇=0	

GENERAL TOLERANCES (UNLESS SPECIFIED)	
	mm INCH
4 PLACES	± .005 ± .002
3 PLACES	± .010 ± .005
2 PLACES	± 0.13 ± .010
1 PLACE	± 0.25 ± .010
ANGULAR ± 2 °	
DRAFT WHERE APPLICABLE MUST REMAIN WITHIN DIMENSIONS	

DIMENSION STYLE IN/MM	
DRAWN BY	DATE
0.URBACH	23OCT00
CHECKED BY	DATE
0.URBACH	23OCT00
APPROVED BY	DATE
0.URBACH	23OCT00
MATERIAL NO. SEE CHART	

SCALE 5:1	DESIGN UNITS INCH	THIRD ANGLE PROJECTION
TITLE CONN,COMM-D,PLUG,VERT JACKPOST,SIZE 15		
MOLEX INCORPORATED		
DOCUMENT NO. SD-83612-9024	SHEET NO. 1 OF 1	
THIS DRAWING CONTAINS INFORMATION THAT IS PROPRIETARY TO MOLEX INCORPORATED AND SHOULD NOT BE USED WITHOUT WRITTEN PERMISSION		