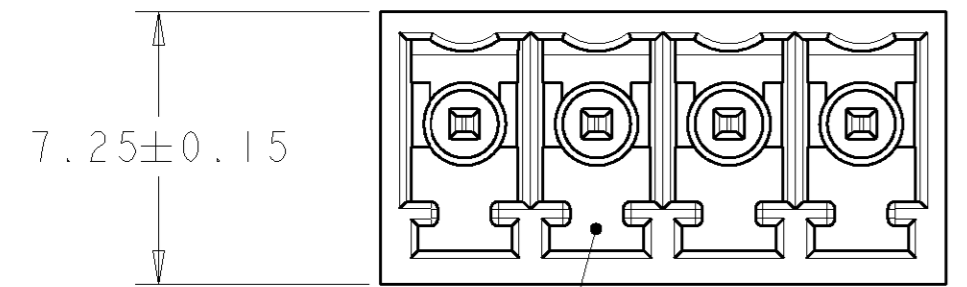
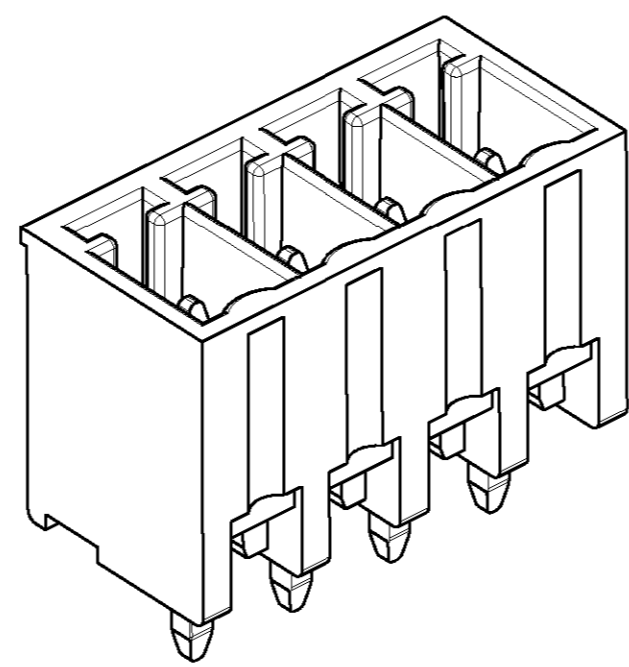


THIS DRAWING IS UNPUBLISHED. RELEASED FOR PUBLICATION 20
 © COPYRIGHT 20 BY TYCO ELECTRONICS CORPORATION. ALL RIGHTS RESERVED.

LOC	DIST	REVISIONS					
FT	0	P	LTR	DESCRIPTION	DATE	DWN	APVD
		0		RELEASED EC 063B-0477-04	02JUN2004	SW	CR

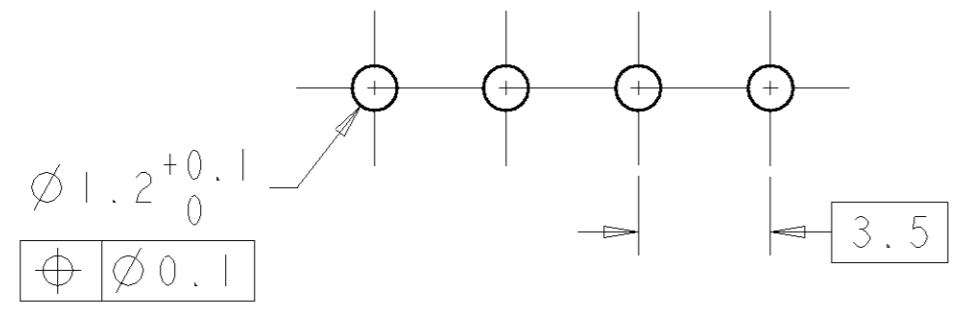
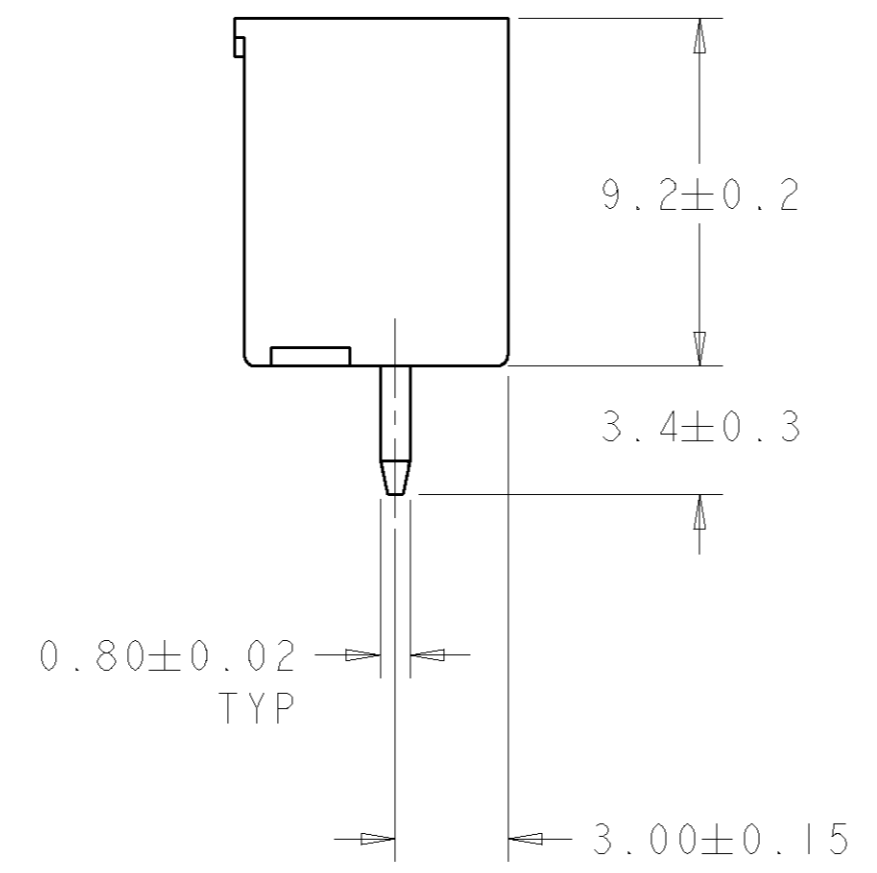
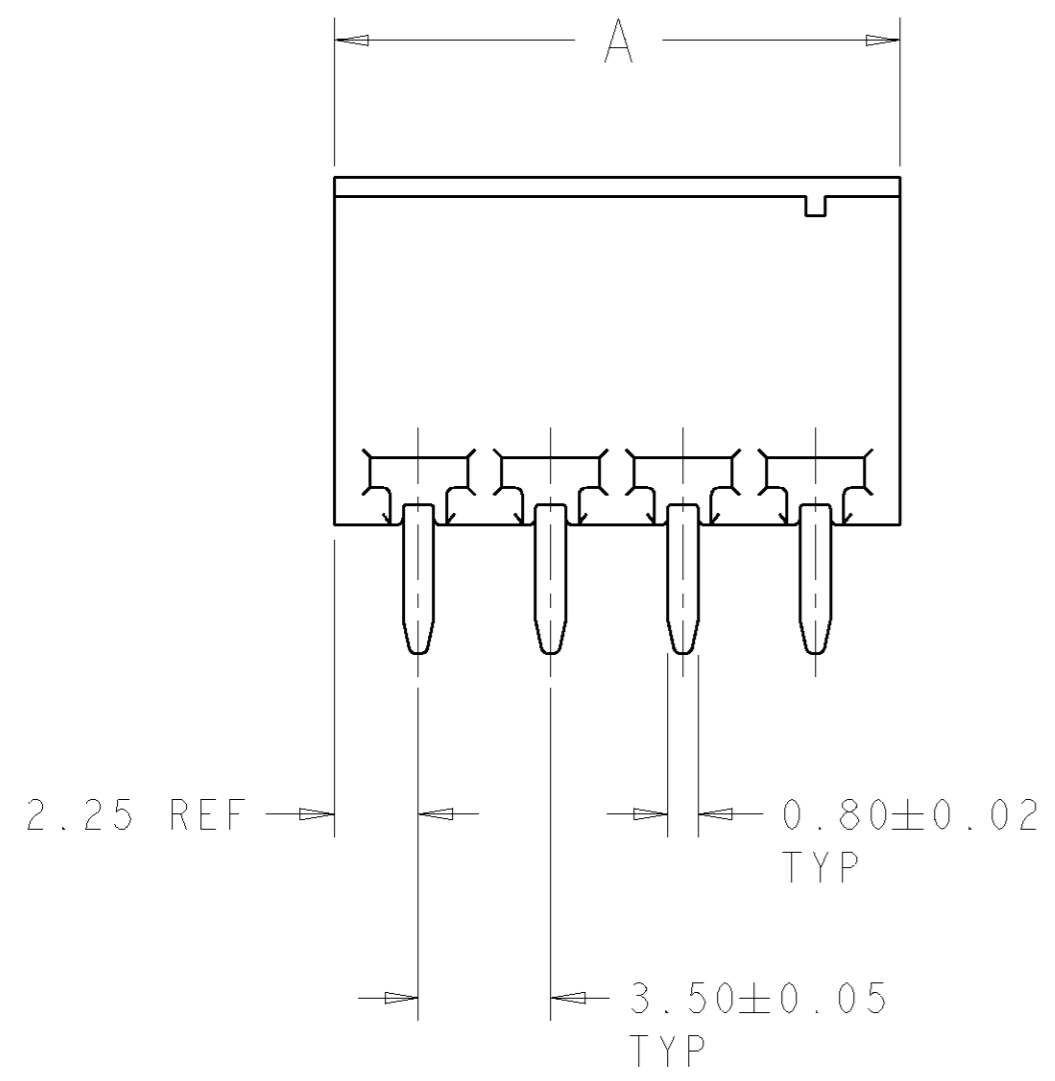


POLARIZATION KEY SLOT



1776099-4 AS SHOWN

- 1. MATERIALS AND FINISH:
 HOUSING : PA 6.6, UL 94-V0, COLOR: BLUE (RAL 5012)
 TERMINAL : BRASS, TIN PLATED
- 2. RECOMMENDED PC BOARD THICKNESS 1.6-2.4 MM.



RECOMMENDED PC BOARD LAYOUT

36.0	10	1-1776099-0
32.5	9	1776099-9
29.0	8	1776099-8
25.5	7	1776099-7
22.0	6	1776099-6
18.5	5	1776099-5
15.0	4	1776099-4
11.5	3	1776099-3
8.0	2	1776099-2
A	NO OF POSN	PART NUMBER

<small>THIS DRAWING IS A CONTROLLED DOCUMENT FOR TYCO ELECTRONICS CORPORATION. IT IS SUBJECT TO CHANGE AND THE CONTROLLING ENGINEERING ORGANIZATION SHOULD BE CONTACTED FOR THE LATEST REVISION.</small>		DWN S. WELDON 02JUN2004 CHK C. RICHARD 02JUN2004 APVD C. RICHARD 02JUN2004	AMP Tyco Electronics Harrisburg, PA 17105-3608
DIMENSIONS: mm 	TOLERANCES UNLESS OTHERWISE SPECIFIED: 0 PLC ± 1 PLC ±0.3 2 PLC ±0.25 3 PLC ±0.000 4 PLC ±0.0000 ANGLES ± FINISH -	PRODUCT SPEC - APPLICATION SPEC - WEIGHT -	NAME: TERMINAL BLOCK, HEADER ASSEMBLY, STRAIGHT, CLOSED ENDS, 3.5 mm PITCH SIZE: A2 CAGE CODE: 00779 DRAWING NO: 1776099 RESTRICTED TO: - CUSTOMER DRAWING SCALE: 5:1 SHEET 1 OF 1 REV 0