



SECTION B-B

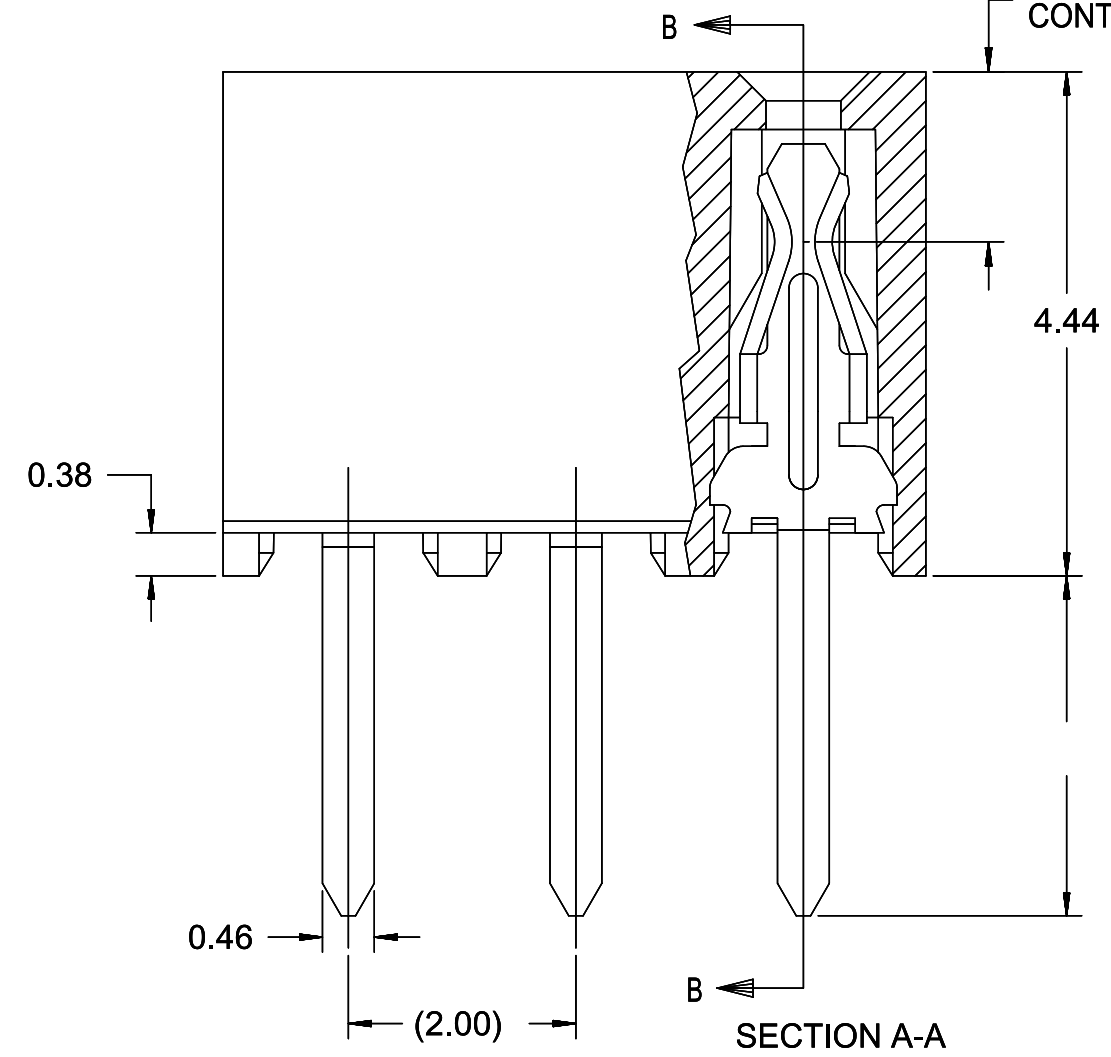


- NOTES:
- 1) HOUSING MATERIAL: GLASS FILLED HIGH TEMP THERMOPLASTIC, COLOR: BLACK
 - 2) TERMINAL MATERIAL: PHOSPHOR BRONZE
 - 3) SEE SHT 2&3 FOR CKT SIZE, PART NUMBERS AND OVERALL DIMENSIONS, SEE SHT 4 FOR VOIDS.
 - 4) FOR ILLUSTRATION, 6 CKT ASSY SHOWN.
 - 5) REFER TO PRODUCT SPEC PS-79107
 - 6) PACKAGING SPECIFICATION:
TUBE: PK-70873-0180
T&R: 791070001
 - 7) CKTS NUMBERED FROM LEFT TO RIGHT WHEN PART IS VIEWED FROM TOP WITH RECESS ON THE RIGHT
 - 8) SOLDER TAIL TO BE MEASURED BY PITCH GAUGE.



PLATING OPTION:

- PLATING OPTIONS:
- 4 - 0.76µM MIN. GOLD PLATE IN SELECTED AREA
1.90µM MIN. TIN PLATE IN SELECTED AREA
OVER 1.25µM MIN. NICKEL OVERALL
 - 5 - 0.38µM MIN. GOLD PLATE IN SELECTED AREA
1.90µM MIN. TIN PLATE IN SELECTED AREA
OVER 1.25µM MIN. NICKEL OVERALL
 - 6 - 0.05µM MIN. GOLD PLATE IN SELECTED AREA
1.02µM MIN. TIN PLATE IN SELECTED AREA
OVER 1.02µM MIN. NICKEL OVERALL



SECTION A-A

THIS DRAWING CONTAINS INFORMATION THAT IS PROPRIETARY TO MOLEX ELECTRONIC TECHNOLOGIES, LLC AND SHOULD NOT BE USED WITHOUT WRITTEN PERMISSION										
QUALITY SYMBOLS	SHT3: ADD 79107-7417 EC NO: 173923 DRWN: GMENARLY CHKD: ISHWARG APPR: ISHWARG	GENERAL TOLERANCES (UNLESS SPECIFIED)		DIMENSION UNITS	SCALE					
		ANGULAR TOL ± 0.5 °		MM	NTS					
▽ = 0	H4 REV	4 PLACES ±	DRWN BY		DATE	2MM DUAL ROW VERTICAL RECEPTACLE T/H				
▽ = 0		3 PLACES ±	AAB		1989/05/15					
▽ = 1		2 PLACES ± 0.25	CHK'D BY		DATE					
▼ = 0		1 PLACE ±	MJM		1989/05/15					
▽ = 0		0 PLACES ±	APPR BY		DATE					
⊠ = 0		DRAFT WHERE APPLICABLE MUST REMAIN WITHIN DIMENSIONS		WAZ		1989/05/15	PRODUCT CUSTOMER DRAWING			
■ = 0			DRAWING SIZE	THIRD ANGLE PROJECTION		SERIES	MATERIAL NUMBER	CUSTOMER		
▽ = 0			B			79107	SEE TABLE	GENERAL MARKET		
						DOCUMENT NUMBER	DOC TYPE	DOC PART	SHEET NUMBER	
						SDA-79107-++++	PSD	001	1 OF 4	

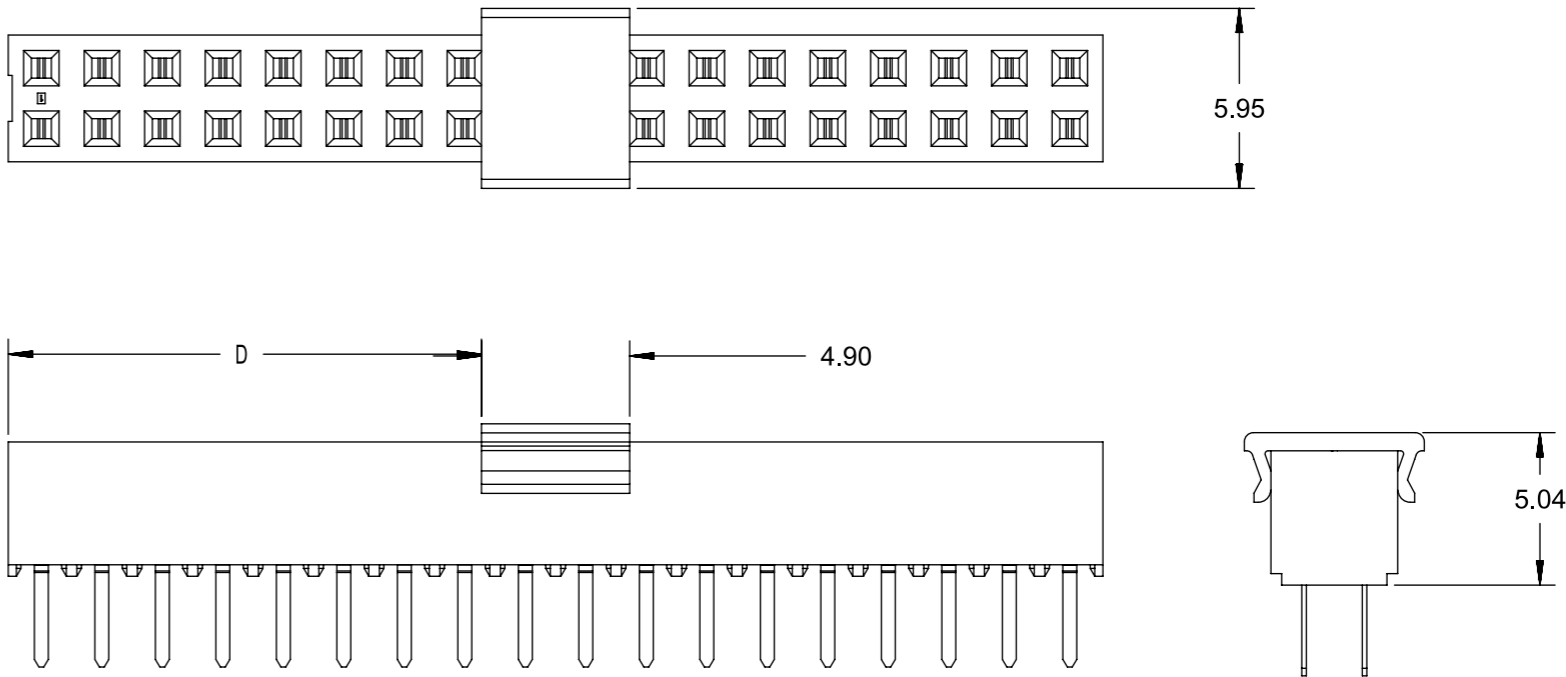
ASSEMBLY WITHOUT CAP IN TUBE

CKT SIZE	DIM A	DIM B	PC TAIL DIMENSION "C" = 3.00			PC TAIL DIMENSION "C" = 1.90				
			PLATING OPTION: 5	PLATING OPTION: 4	PLATING OPTION: 6	PLATING OPTION: 5	PLATING OPTION: 4	PLATING OPTION: 6		
04	4.19	2.00	79107-7001	79107-7051	X	79107-7126	79107-7201	79107-7251	X	79107-7326
06	6.19	4.00	79107-7002	79107-7052	X	79107-7127	79107-7202	79107-7252	X	79107-7327
08	8.19	6.00	79107-7003	79107-7053	X	79107-7128	79107-7203	79107-7253	X	79107-7328
10	10.19	8.00	79107-7004	79107-7054	X	79107-7129	79107-7204	79107-7254	X	79107-7329
12	12.19	10.00	79107-7005	79107-7055		79107-7130	79107-7205	79107-7255		79107-7330
14	14.19	12.00	79107-7006	79107-7056	X	79107-7131	79107-7206	79107-7256	X	79107-7331
16	16.19	14.00	79107-7007	79107-7057	X	79107-7132	79107-7207	79107-7257	X	79107-7332
18	18.19	16.00	79107-7008	79107-7058	X	79107-7133	79107-7208	79107-7258	X	79107-7333
20	20.19	18.00	79107-7009	79107-7059	X	79107-7134	79107-7209	79107-7259	X	79107-7334
22	22.19	20.00	79107-7010	79107-7060	X	79107-7135	79107-7210	79107-7260	X	79107-7335
24	24.19	22.00	79107-7011	79107-7061	X	79107-7136	79107-7211	79107-7261	X	79107-7336
26	26.19	24.00	79107-7012	79107-7062	X	79107-7137	79107-7212	79107-7262	X	79107-7337
28	28.19	26.00	79107-7013	79107-7063	X	79107-7138	79107-7213	79107-7263	X	79107-7338
30	30.19	28.00	79107-7014	79107-7064	X	79107-7139	79107-7214	79107-7264	X	79107-7339
32	32.19	30.00	79107-7015	79107-7065	X	79107-7140	79107-7215	79107-7265	X	79107-7340
34	34.19	32.00	79107-7016	79107-7066	X	79107-7141	79107-7216	79107-7266	X	79107-7341
36	36.19	34.00	79107-7017	79107-7067	X	79107-7142	79107-7217	79107-7267	X	79107-7342
38	38.19	36.00	79107-7018	79107-7068	X	79107-7143	79107-7218	79107-7268	X	79107-7343
40	40.19	38.00	79107-7019	79107-7069	X	79107-7144	79107-7219	79107-7269	X	79107-7344
42	42.19	40.00	79107-7020	79107-7070	X	79107-7145	79107-7220	79107-7270	X	79107-7345
44	44.19	42.00	79107-7021	79107-7071	X	79107-7146	79107-7221	79107-7271	X	79107-7346
46	46.19	44.00	79107-7022	79107-7072	X	79107-7147	79107-7222	79107-7272	X	79107-7347
48	48.19	46.00	79107-7023	79107-7073	X	79107-7148	79107-7223	79107-7273	X	79107-7348
50	50.19	48.00	79107-7024	79107-7074	X	79107-7149	79107-7224	79107-7274	X	79107-7349

QUALITY SYMBOLS 	THIS DRAWING CONTAINS INFORMATION THAT IS PROPRIETARY TO MOLEX ELECTRONIC TECHNOLOGIES, LLC AND SHOULD NOT BE USED WITHOUT WRITTEN PERMISSION EC NO: 173923 DRWN: GMENARLY CHK'D: ISHWARG APPR: ISHWARG SHT3: ADD 79107-7417 2017/11/27 2018/03/23 2018/03/23	GENERAL TOLERANCES (UNLESS SPECIFIED) ANGULAR TOL ± 0.5 ° 4 PLACES ± 3 PLACES ± 2 PLACES ± 0.25 1 PLACE ± 0 PLACES ± DRAFT WHERE APPLICABLE MUST REMAIN WITHIN DIMENSIONS	DIMENSION UNITS MM DRWN BY AAB CHK'D BY MJM APPR BY WAZ DRAWING SIZE A3	SCALE NTS DATE 1989/05/15 DATE 1989/05/15 DATE 1989/05/15 THIRD ANGLE PROJECTION 		2MM DUAL ROW VERTICAL RECEPTACLE T/H PRODUCT CUSTOMER DRAWING SERIES: 79107 MATERIAL NUMBER: SEE TABLE CUSTOMER: GENERAL MARKET DOCUMENT NUMBER: SDA-79107-++++ DOC TYPE: PSD DOC PART: 001 SHEET NUMBER: 2 OF 4
----------------------------	---	---	---	--	--	---

ASSEMBLY WITH CAP IN TAPE & REEL

CKT SIZE	ASSEMBLY PART NO	DIM A	DIM B	DIM C	DIM D	PLATING OPTION
36	79107-7417	36.19	34.00	3.00	15.65	5



THIS DRAWING CONTAINS INFORMATION THAT IS PROPRIETARY TO MOLEX ELECTRONIC TECHNOLOGIES, LLC AND SHOULD NOT BE USED WITHOUT WRITTEN PERMISSION											
QUALITY SYMBOLS ▽A = 0 ▽E = 0 ▽F = 0 ▼ = 0 ▽C = 0 ⊗ = 0 ■ = 0 ▽ = 0	SHT3: ADD 79107-7417 EC NO: 173923 DRWN: GMENARLY CHK'D: ISHWARG APPR: ISHWARG	GENERAL TOLERANCES (UNLESS SPECIFIED) ANGULAR TOL ± 0.5 °		DIMENSION UNITS MM		SCALE NTS					
		4 PLACES ±		AAB		DATE 1989/05/15					
		3 PLACES ±		CHK'D BY MJM		DATE 1989/05/15		PRODUCT CUSTOMER DRAWING SERIES: 79107 MATERIAL NUMBER: SEE TABLE CUSTOMER: GENERAL MARKET			
		2 PLACES ± 0.25		APPR BY WAZ		DATE 1989/05/15					
		1 PLACE ±		DRAWING SIZE A3		THIRD ANGLE PROJECTION		DOCUMENT NUMBER: SDA-79107-++++ DOC TYPE: PSD DOC PART: 001 SHEET NUMBER: 3 OF 4			
		0 PLACES ±		DRAFT WHERE APPLICABLE MUST REMAIN WITHIN DIMENSIONS							

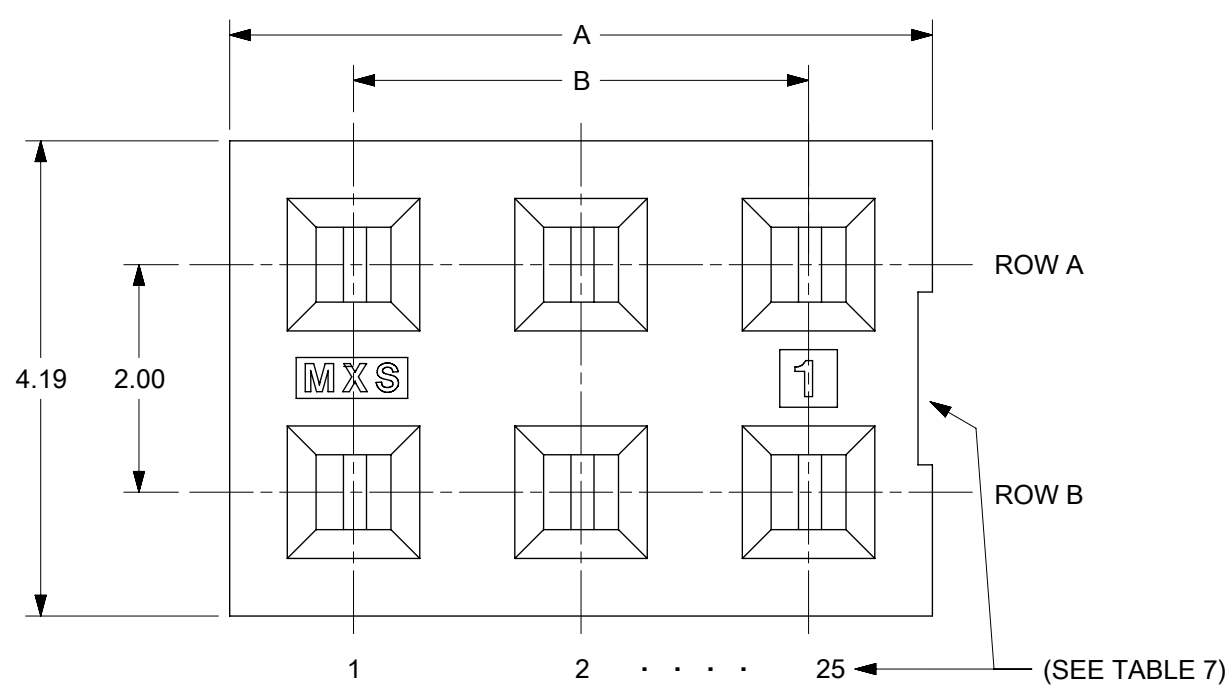
MOLDED VOID OPTION ASSEMBLIES WITHOUT PEGS

CKT SIZE	ASSEMBLY	HOUSING		VOID LOCATION(S) SEE SHEET 1 FOR CONVENTION		TERMINAL		PLATING OPTIONS	DIM A	DIM B	DIM C PC TAIL
		EDP NO.	ENG. NO	ROW	CKT. NO. (S)	EDP NO.	ENG. NO				
24	79107-5101	050-40-1422	79105-0501	ROW B	6	791061012	79106-1012	5	24.19	22.00	3.00
10	79107-5102	050-40-1410	79105-0504	ROW A	5	791061012	79106-1012	5	10.19	8.00	3.00
26	79107-5103	050-40-1426	79105-0505	ROW B	5	791061012	79106-1012	5	26.19	24.00	3.00
20	79107-5104	79105-0510	79105-0510	ROW A	7	791061112	79106-1112	5	20.19	18.00	1.91
24	79107-5105	79105-0511	79105-0511	ROW B	10	791061112	79106-1112	5	24.19	22.00	1.91
20	79107-5106	79105-0510	79105-0510	ROW A	7	791061012	79106-1012	5	20.19	18.00	3.00
24	79107-5107	79105-0511	79105-0511	ROW B	10	791061012	79106-1012	5	24.19	22.00	3.00

NOTES:

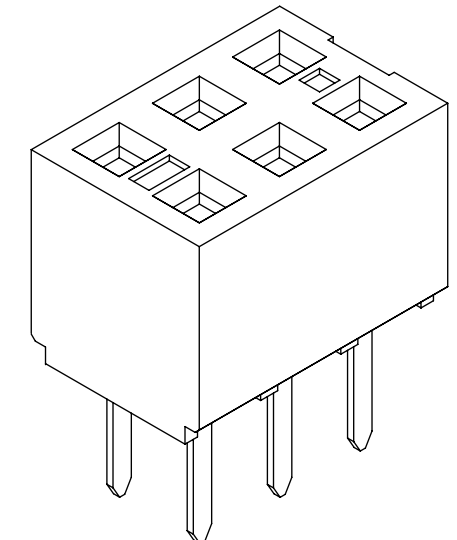
1. TERMINALS WILL BE PRESENT IN VOIDED LOCATIONS. HOWEVER, PIN WINDOWS WILL BE CLOSED
2. VOIDS CAN ONLY BE PRESENT IN ONE ROW OF A CONNECTOR

<p>QUALITY SYMBOLS</p> <p>▽ = 0</p> <p>▽ = 0</p> <p>▽ = 0</p> <p>▼ = 0</p> <p>▽ = 0</p> <p>⊗ = 0</p> <p>■ = 0</p> <p>▽ = 0</p>	<p>THIS DRAWING CONTAINS INFORMATION THAT IS PROPRIETARY TO MOLEX ELECTRONIC TECHNOLOGIES, LLC AND SHOULD NOT BE USED WITHOUT WRITTEN PERMISSION</p> <p>SHT3: ADD 79107-7417</p> <p>EC NO: 173923</p> <p>DRWN: GMENARLY</p> <p>CHK'D: ISHWARG</p> <p>APPR: ISHWARG</p> <p>2017/11/27</p> <p>2018/03/23</p> <p>2018/03/23</p>	<p>GENERAL TOLERANCES (UNLESS SPECIFIED)</p> <p>ANGULAR TOL ± 0.5 °</p> <p>4 PLACES ±</p> <p>3 PLACES ±</p> <p>2 PLACES ± 0.25</p> <p>1 PLACE ±</p> <p>0 PLACES ±</p> <p>DRAFT WHERE APPLICABLE MUST REMAIN WITHIN DIMENSIONS</p>	<p>DIMENSION UNITS</p> <p style="text-align: center;">MM</p>	<p>SCALE</p> <p style="text-align: center;">NTS</p>	<p>DRWN BY</p> <p style="text-align: center;">AAB</p> <p>DATE</p> <p style="text-align: center;">1989/05/15</p> <p>CHK'D BY</p> <p style="text-align: center;">MJM</p> <p>DATE</p> <p style="text-align: center;">1989/05/15</p> <p>APPR BY</p> <p style="text-align: center;">WAZ</p> <p>DATE</p> <p style="text-align: center;">1989/05/15</p>	<p>DRAWING SIZE</p> <p style="text-align: center;">A3</p>	<p>THIRD ANGLE PROJECTION</p> <p style="text-align: center;"> </p>	<p>molex</p> <p>2MM DUAL ROW VERTICAL RECEPTACLE T/H</p> <p>PRODUCT CUSTOMER DRAWING</p>			
				<p>SERIES: 79107</p>		<p>MATERIAL NUMBER: SEE TABLE</p>		<p>CUSTOMER: GENERAL MARKET</p>			
				<p>DOCUMENT NUMBER: SDA-79107-++++</p>		<p>DOC TYPE: PSD</p>		<p>DOC PART: 001</p>		<p>SHEET NUMBER: 4 OF 4</p>	



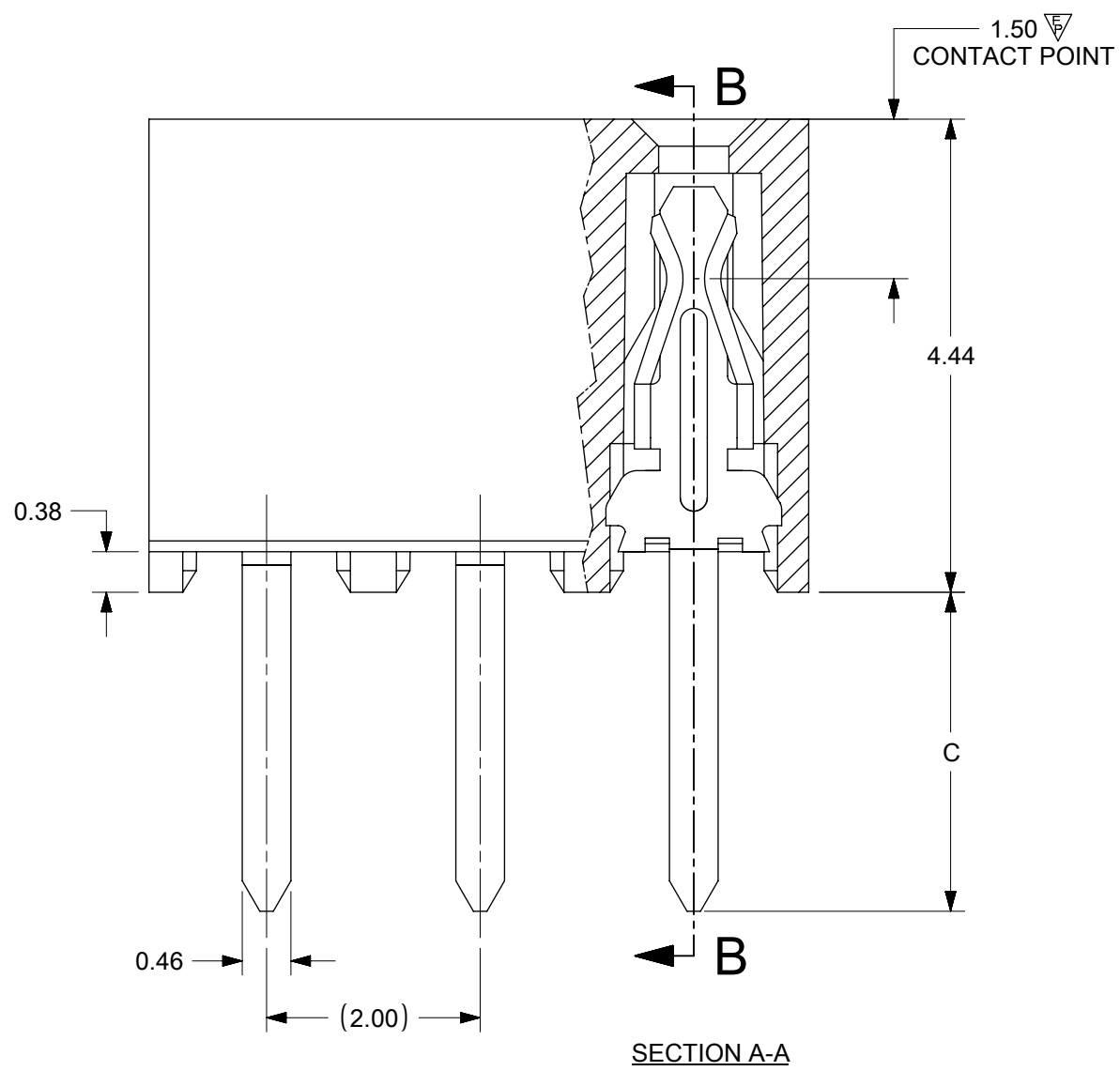
RECOMMENDED PCB LAYOUT

- NOTES:**
- 1) HOUSING MATERIAL: GLASS FILLED HIGH TEMP THERMOPLASTIC, COLOR: BLACK, UL-94V-0
 - 2) TERMINAL MATERIAL: PHOSPHOR BRONZE
 - 3) SEE SHT 2 FOR CKT SIZE, PART NUMBERS AND OVERALL DIMENSIONS, SEE SHT 3 FOR VOIDS.
 - 4) FOR ILLUSTRATION, 6 CKT ASSY SHOWN.
 - 5) REFER TO PRODUCT SPEC PS-79107
 - 6) PACKAGING PER PK-70873-0180
 - 7) CKTS NUMBERED FROM LEFT TO RIGHT WHEN PART IS VIEWED FROM TOP WITH RECESS ON THE RIGHT AS SHOWN.
 - 8) SOLDER TAIL TO BE MEASURED BY PITCH GAUGE.



PLATING OPTION:

- 4) - 30µ"/0.76µm MIN GOLD PLATE IN SELECTED AREA
75µ"/1.90µm MIN TIN PLATE IN SELECTED AREA
BOTH OVER 50µ"/1.25µm MIN NICKEL OVERALL
- 5) - 15µ"/0.38µm MIN GOLD PLATE IN SELECTED AREA
75µ"/1.90µm MIN TIN PLATE IN SELECTED AREA
BOTH OVER 50µ"/1.25µm MIN NICKEL OVERALL
- 6) - 2µ"/0.05µm MIN GOLD PLATE IN SELECTED AREA
40µ"/1.02µm MIN TIN PLATE IN SELECTED AREA
BOTH OVER 40µ"/1.02µm MIN NICKEL OVERALL



THIS DRAWING CONTAINS INFORMATION THAT IS PROPRIETARY TO MOLEX ELECTRONIC TECHNOLOGIES, LLC AND SHOULD NOT BE USED WITHOUT WRITTEN PERMISSION									
SYMBOLS		DIMENSION UNITS		SCALE		CURRENT REV DESC:			
▽ = 0	▽ = 0	mm	NTS			EC NO: 674390			
▽ = 0	▽ = 1	GENERAL TOLERANCES (UNLESS SPECIFIED)				DRWN: ABABUPS		2021/06/03	
▽ = 0	▽ = 0	ANGULAR TOL ± 0.5°				CHK'D: MRAMAKRISHNA		2021/08/23	
▽ = 0	▽ = 0	4 PLACES ±				APPR: MRAMAKRISHNA		2021/08/23	
▽ = 0	▽ = 0	3 PLACES ±				INITIAL REVISION:			
▽ = 0	▽ = 0	2 PLACES ± 0.25				DRWN: RFC_PLMIMP		2018/12/04	
▽ = 0	▽ = 0	1 PLACE ±				APPR: KCLING		2001/08/22	
▽ = 0	▽ = 0	0 PLACES ±				MATERIAL NUMBER		CUSTOMER	
▽ = 0	▽ = 0	DRAFT WHERE APPLICABLE MUST REMAIN WITHIN DIMENSIONS		THIRD ANGLE PROJECTION		DRAWING		SERIES	
				B-SIZE		79107		SEE TABLE	
				DOCUMENT NUMBER		DOC TYPE		DOC PART	
				SDA-79107-XXXX		PSD		001	
				REVISION		H5		SHEET NUMBER	
				1 OF 4					

PARTS PACKED IN TUBE

CKT SIZE	DIM 'A'	DIM 'B'	P.C.TAIL DIMENSION 'C' = 3.00						P.C.TAIL DIMENSION 'C' = 1.91					
			PLATING OPTION 5		PLATING OPTION 4		PLATING OPTION 6		PLATING OPTION 5		PLATING OPTION 4		PLATING OPTION 6	
			ITEM NO.		ITEM NO.		ITEM NO.		ITEM NO.		ITEM NO.		ITEM NO.	
04	(4.19)	(2.00)		79107-7001		79107-7051	X	79107-7126		79107-7201		79107-7251	X	79107-7326
06	(6.19)	(4.00)		79107-7002		79107-7052	X	79107-7127		79107-7202		79107-7252	X	79107-7327
08	(8.19)	(6.00)		79107-7003		79107-7053	X	79107-7128		79107-7203		79107-7253	X	79107-7328
10	(10.19)	(8.00)		79107-7004		79107-7054	X	79107-7129		79107-7204		79107-7254	X	79107-7329
12	(12.19)	(10.00)		79107-7005		79107-7055		79107-7130		79107-7205		79107-7255		79107-7330
14	(14.19)	(12.00)		79107-7006		79107-7056	X	79107-7131		79107-7206		79107-7256	X	79107-7331
16	(16.19)	(14.00)		79107-7007		79107-7057	X	79107-7132		79107-7207		79107-7257	X	79107-7332
18	(18.19)	(16.00)		79107-7008		79107-7058	X	79107-7133		79107-7208		79107-7258	X	79107-7333
20	(20.19)	(18.00)		79107-7009		79107-7059	X	79107-7134		79107-7209		79107-7259	X	79107-7334
22	(22.19)	(20.00)		79107-7010		79107-7060	X	79107-7135		79107-7210		79107-7260	X	79107-7335
24	(24.19)	(22.00)		79107-7011		79107-7061	X	79107-7136		79107-7211		79107-7261	X	79107-7336
26	(26.19)	(24.00)		79107-7012		79107-7062	X	79107-7137		79107-7212		79107-7262	X	79107-7337
28	(28.19)	(26.00)		79107-7013		79107-7063	X	79107-7138		79107-7213		79107-7263	X	79107-7338
30	(30.19)	(28.00)		79107-7014		79107-7064	X	79107-7139		79107-7214		79107-7264	X	79107-7339
32	(32.19)	(30.00)		79107-7015		79107-7065	X	79107-7140		79107-7215		79107-7265	X	79107-7340
34	(34.19)	(32.00)		79107-7016		79107-7066	X	79107-7141		79107-7216		79107-7266	X	79107-7341
36	(36.19)	(34.00)		79107-7017		79107-7067	X	79107-7142		79107-7217		79107-7267	X	79107-7342
38	(38.19)	(36.00)		79107-7018		79107-7068	X	79107-7143		79107-7218		79107-7268	X	79107-7343
40	(40.19)	(38.00)		79107-7019		79107-7069	X	79107-7144		79107-7219		79107-7269	X	79107-7344
42	(42.19)	(40.00)		79107-7020		79107-7070	X	79107-7145		79107-7220		79107-7270	X	79107-7345
44	(44.19)	(42.00)		79107-7021		79107-7071	X	79107-7146		79107-7221		79107-7271	X	79107-7346
46	(46.19)	(44.00)		79107-7022		79107-7072	X	79107-7147		79107-7222		79107-7272	X	79107-7347
48	(48.19)	(46.00)		79107-7023		79107-7073	X	79107-7148		79107-7223		79107-7273	X	79107-7348
50	(50.19)	(48.00)		79107-7024		79107-7074	X	79107-7149		79107-7224		79107-7274	X	79107-7349

"X" - DENOTES THE ITEM IS NOT AVAILABLE CURRENTLY.

SYMBOLS ▽ = 0 ▽ = 0 ▽ = 0 ▽ = 0 ▽ = 0 ▽ = 0 ▽ = 0 ▽ = 0 ▽ = 0 ▽ = 0 ▽ = 0 ▽ = 0	THIS DRAWING CONTAINS INFORMATION THAT IS PROPRIETARY TO MOLEX ELECTRONIC TECHNOLOGIES, LLC AND SHOULD NOT BE USED WITHOUT WRITTEN PERMISSION	DIMENSION UNITS: mm SCALE: NTS	CURRENT REV DESC: EC NO: 674390 DRWN: ABABUPS 2021/06/03 CHK'D: MRAMAKRISHNA 2021/08/23 APPR: MRAMAKRISHNA 2021/08/23	molex			
	GENERAL TOLERANCES (UNLESS SPECIFIED) ANGULAR TOL ± 0.5° 4 PLACES ± 3 PLACES ± 2 PLACES ± 0.25 1 PLACE ± 0 PLACES ±	INITIAL REVISION: DRWN: RFC_PLMIMP 2018/12/04 APPR: KCLING 2001/08/22	2MM DUAL ROW VERTICAL RECEPTACLE T/H				
	DRAFT WHERE APPLICABLE MUST REMAIN WITHIN DIMENSIONS	THIRD ANGLE PROJECTION 	DRAWING: B-SIZE SERIES: 79107	PRODUCT CUSTOMER DRAWING			
		MATERIAL NUMBER: SDA-79107-XXXX CUSTOMER: GENERAL MARKET	DOCUMENT NUMBER: PSD DOC TYPE: 001 DOC PART: H5 REVISION: 2 OF 4				

PARTS PACKED IN TUBE

MOLDED VOID OPTION
ASSEMBLIES WITHOUT PEGS

CKT. SIZE	ASSEMBLY ITEM NO.	VOID LOCATION(S) SEE SHEET 1 FOR CONVENTION		PLATING OPTION	DIM. "A"	DIM. "B"	P.C. TAIL DIM. "C"
		ROW	CKT.NO(s)				
24	79107-5101	ROW B	6	5	(24.19)	(22.00)	(3.00)
10	79107-5102	ROW A	5	5	(10.19)	(8.00)	(3.00)
26	79107-5103	ROW B	5	5	(26.19)	(24.00)	(3.00)
20	79107-5104	ROW A	7	5	(20.19)	(18.00)	(1.91)
24	79107-5105	ROW B	10	5	(24.19)	(22.00)	(1.91)
20	79107-5106	ROW A	7	5	(20.19)	(18.00)	(3.00)
24	79107-5107	ROW B	10	5	(24.19)	(22.00)	(3.00)

"X" - DENOTES THE ITEM IS NOT AVAILABLE CURRENTLY.

NOTES:

1. TERMINALS WILL BE PRESENT IN VOIDED LOCATIONS HOWEVER, PIN WINDOWS WILL BE CLOSED.
2. VOIDS CANNOT BE PRESENT IN BOTH ROWS ON A CONNECTOR.

SYMBOLS	THIS DRAWING CONTAINS INFORMATION THAT IS PROPRIETARY TO MOLEX ELECTRONIC TECHNOLOGIES, LLC AND SHOULD NOT BE USED WITHOUT WRITTEN PERMISSION											
	DIMENSION UNITS		SCALE		CURRENT REV DESC:						molex	
	mm		NTS									
	▽ = 0		GENERAL TOLERANCES (UNLESS SPECIFIED)		EC NO: 674390 DRWN: ABABUPS 2021/06/03 CHK'D: MRAMAKRISHNA 2021/08/23 APPR: MRAMAKRISHNA 2021/08/23						PRODUCT CUSTOMER DRAWING	
	▽ = 0		ANGULAR TOL ± 0.5°									
	▽ = 0		4 PLACES ±		INITIAL REVISION: DRWN: RFC_PLMIMP 2018/12/04 APPR: KCLING 2001/08/22						DOCUMENT NUMBER SDA-79107-XXXX	
	▽ = 0		3 PLACES ±									
	▽ = 0		2 PLACES ± 0.25		MATERIAL NUMBER SEE TABLE						CUSTOMER GENERAL MARKET	
	▽ = 0		1 PLACE ±									
	▽ = 0		0 PLACES ±		DRAFT WHERE APPLICABLE MUST REMAIN WITHIN DIMENSIONS		THIRD ANGLE PROJECTION 		DRAWING B-SIZE		SERIES 79107	
▽ = 0		DRAFT WHERE APPLICABLE MUST REMAIN WITHIN DIMENSIONS										
▽ = 0		DRAFT WHERE APPLICABLE MUST REMAIN WITHIN DIMENSIONS		SHEET NUMBER 3 OF 4		REVISION H5		DOC PART 001		DOC TYPE PSD		

PARTS PACKED IN TAPE AND REEL

CKT SIZE	DIM 'A'	DIM 'B'	P.C.TAIL DIMENSION 'C' = 3.00			P.C.TAIL DIMENSION 'C' = 1.91		
			PLATING OPTION 5	PLATING OPTION 4	PLATING OPTION 6	PLATING OPTION 5	PLATING OPTION 4	PLATING OPTION 6
			ITEM NO.	ITEM NO.	ITEM NO.	ITEM NO.	ITEM NO.	ITEM NO.
04	(4.19)	(2.00)	-	-	-	-	-	-
06	(6.19)	(4.00)	-	-	-	-	-	-
08	(8.19)	(6.00)	-	-	-	-	-	-
10	(10.19)	(8.00)	-	-	-	-	-	-
12	(12.19)	(10.00)	-	-	-	-	-	-
14	(14.19)	(12.00)	-	-	-	-	-	-
16	(16.19)	(14.00)	-	-	-	-	-	-
18	(18.19)	(16.00)	-	-	-	-	-	-
20	(20.19)	(18.00)	-	-	-	*	79107-8209 (H5)	-
22	(22.19)	(20.00)	-	-	-	-	-	-
24	(24.19)	(22.00)	-	-	-	-	-	-
26	(26.19)	(24.00)	-	-	-	-	-	-
28	(28.19)	(26.00)	-	-	-	-	-	-
30	(30.19)	(28.00)	-	-	-	-	-	-
32	(32.19)	(30.00)	-	-	-	-	-	-
34	(34.19)	(32.00)	-	-	-	-	-	-
36	(36.19)	(34.00)	-	-	-	-	-	-
38	(38.19)	(36.00)	-	-	-	-	-	-
40	(40.19)	(38.00)	-	-	-	-	-	-
42	(42.19)	(40.00)	-	-	-	-	-	-
44	(44.19)	(42.00)	-	-	-	-	-	-
46	(46.19)	(44.00)	-	-	-	-	-	-
48	(48.19)	(46.00)	-	-	-	-	-	-
50	(50.19)	(48.00)	-	-	-	-	-	-
			*** - PACKAGING IS NOT TOOLED					

THIS DRAWING CONTAINS INFORMATION THAT IS PROPRIETARY TO MOLEX ELECTRONIC TECHNOLOGIES, LLC AND SHOULD NOT BE USED WITHOUT WRITTEN PERMISSION									
FUNCTIONAL SYMBOLS	DIMENSION UNITS	SCALE	CURRENT REV DESC:						
$\nabla_A = 0$	mm	NTS	EC NO: 674390 DRWN: ABABUPS 2021/06/03 CHK'D: MRAMAKRISHNA 2021/08/23 APPR: MRAMAKRISHNA 2021/08/23 INITIAL REVISION: DRWN: RFC_PLMIMP 2018/12/04 APPR: KCLING 2001/08/22						
$\nabla_F = 0$	GENERAL TOLERANCES (UNLESS SPECIFIED)								
$\nabla_P = 0$	ANGULAR TOL $\pm 0.5^\circ$								
DIVISIONAL SYMBOLS	4 PLACES \pm								
	3 PLACES \pm		DOCUMENT NUMBER						
	2 PLACES ± 0.25		SDA-79107-XXXX						
	1 PLACE \pm		DOC TYPE DOC PART REVISION						
	0 PLACES \pm		PSD 001 H5						
DRAFT WHERE APPLICABLE MUST REMAIN WITHIN DIMENSIONS			THIRD ANGLE PROJECTION	DRAWING	SERIES	MATERIAL NUMBER	CUSTOMER	SHEET NUMBER	
				A3-SIZE	79107		GENERAL MARKET	4 OF 4	