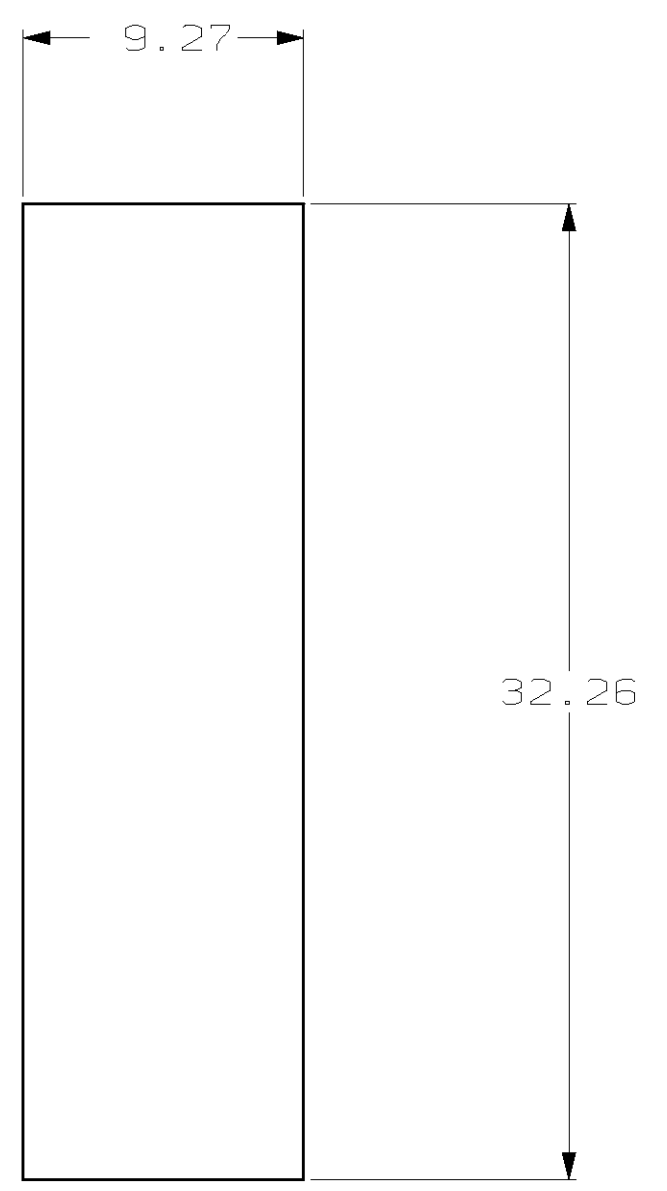
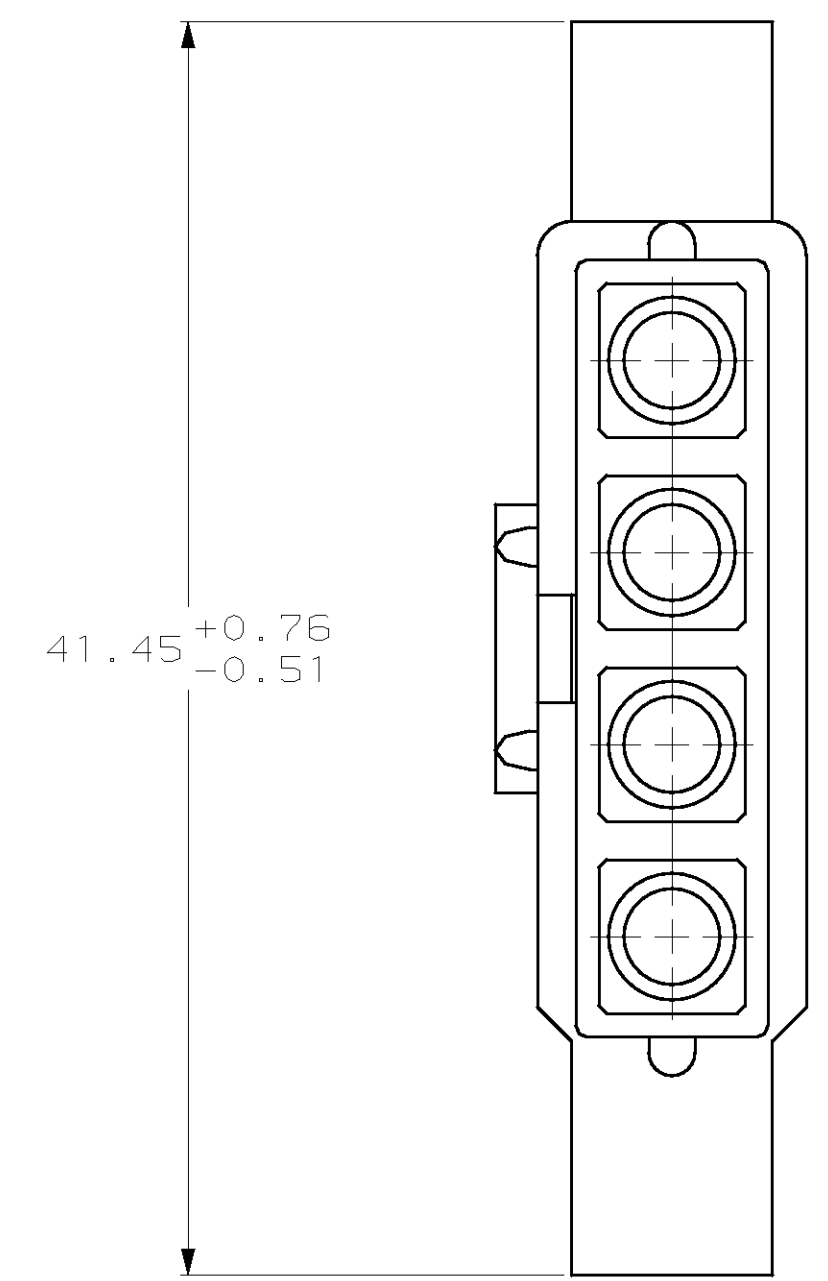
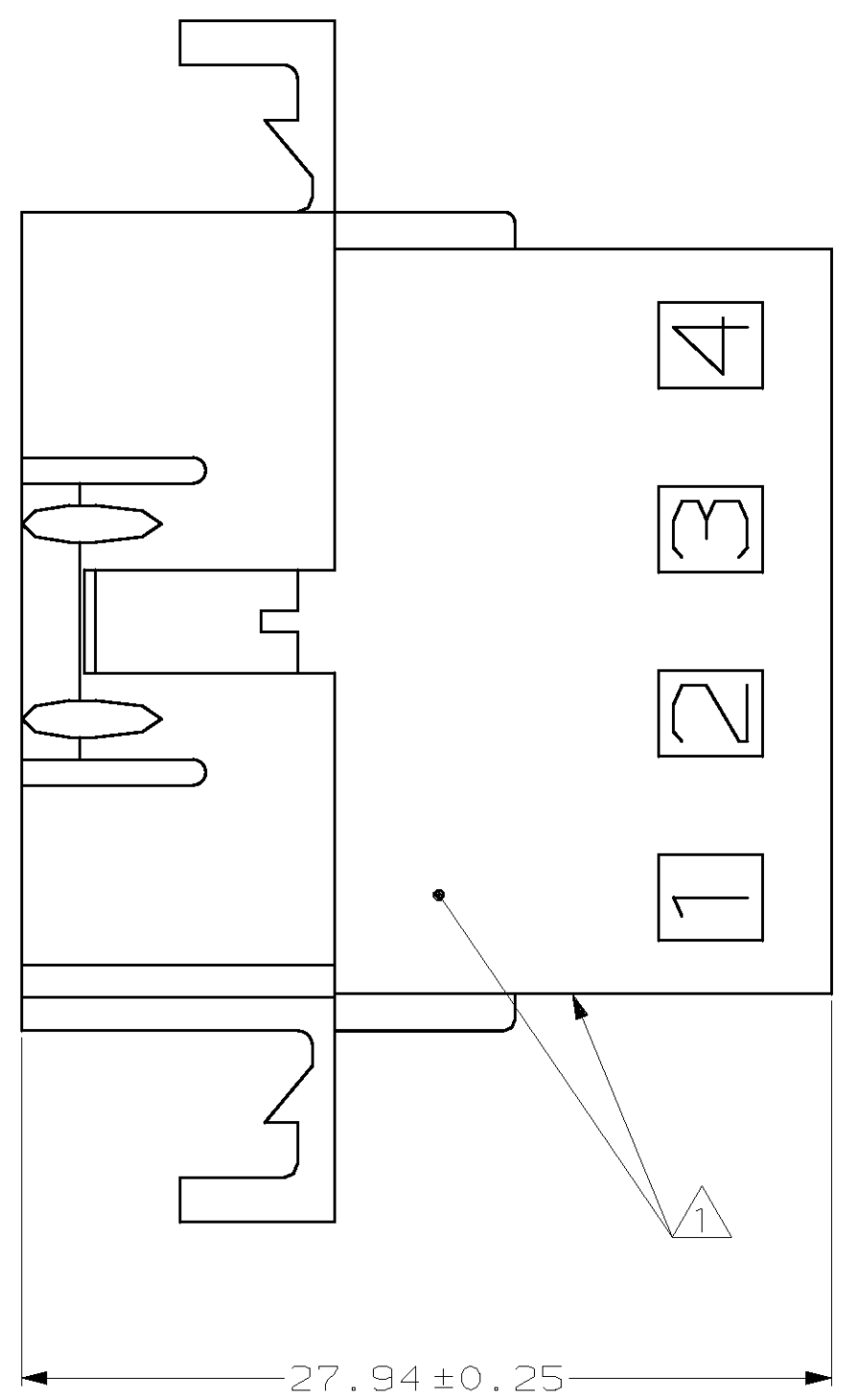
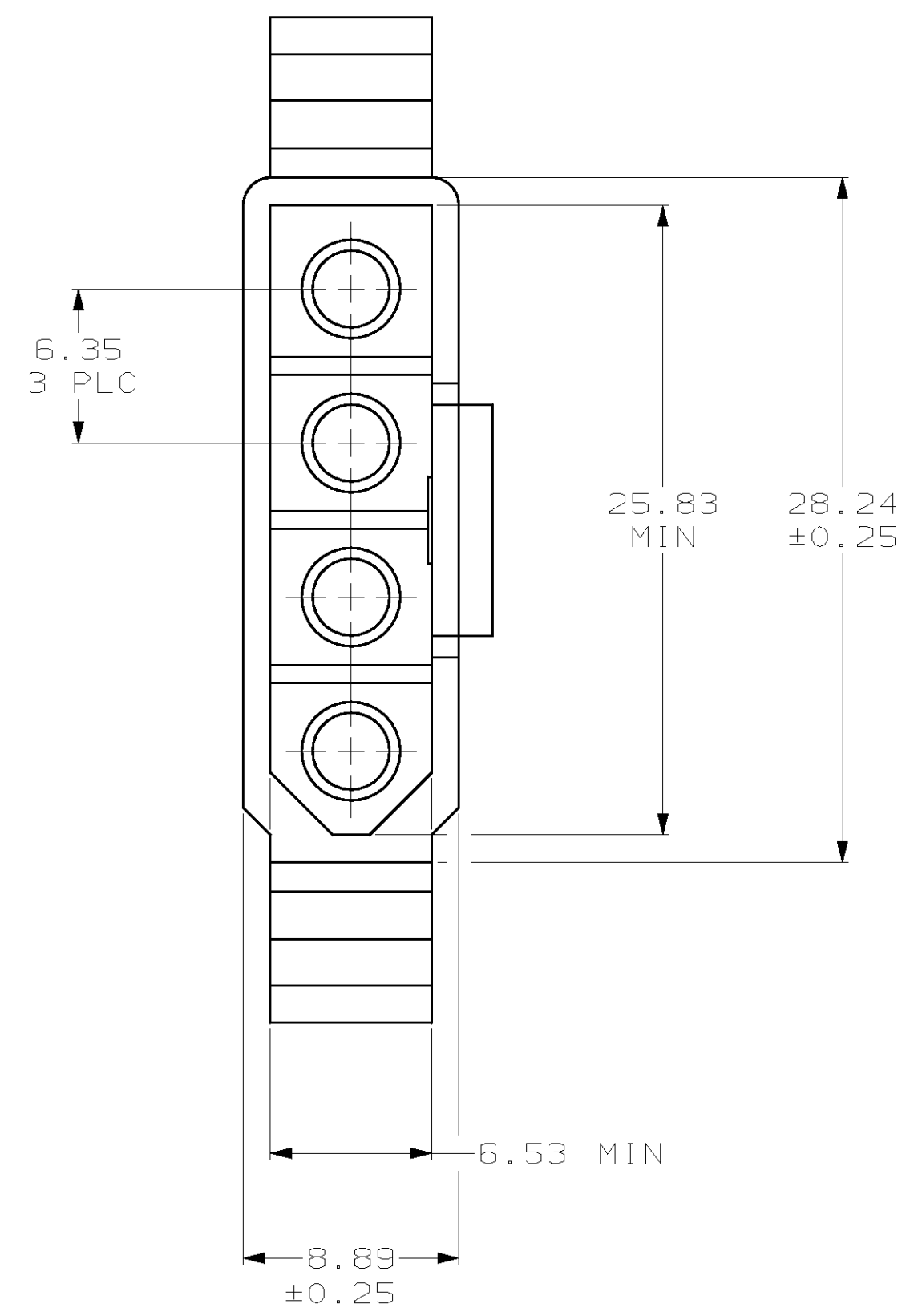
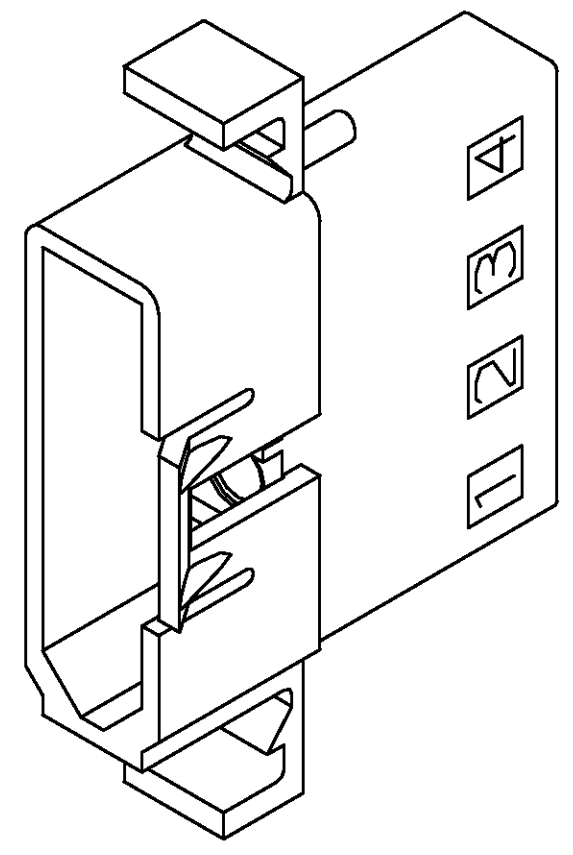


LOC	QTY	REV	DATE	BY	APPV
CM	53	D	10-23-97	KW	RS

AMP LOGO AND CAVITY NUMBERS LOCATED ON EITHER SURFACE, OPPOSITE SIDE OPTIONAL.



RECOMMENDED CUT OUT FOR 1.58 MAX THICK PANEL



3-DIMENSIONAL MODEL NTS

MM	IN	MM	IN
6.53	.257	41.45	1.632
6.35	.250	32.26	1.270
1.58	.062	28.24	1.112
0.76	.030	27.94	1.100
0.51	.020	25.83	1.017
0.25	.010	9.27	.365
0.13	.005	8.89	.350

CONVERSION TABLE

770330-1
PART NUMBER

METRIC

THIS DRAWING IS A CONTROLLED DOCUMENT.

DIMENSIONS:	TOLERANCES UNLESS OTHERWISE SPECIFIED:	OWN: K. WHITAKER 10-23-97	AMP Incorporated Harrisburg, PA 17105-3608
mm	0.13	CHK: R. SWING 10-23-97	AMP
0.13	0.005	APPV: J. COBLE 10-23-97	PLUG, 4 CIRCUIT, .250 PIN AND SOCKET
0.005	0.002	PRODUCT SPEC:	SIZE: A1
0.002	0.001	APPLICATION SPEC:	SCALE: 4:1
0.001	0.0005	HEIGHT:	SHEET 1 OF 1
0.0005	0.0002	MATERIAL: NYLON, JL 94V-2, NATURAL	REV D
0.0002	0.0001	FINISH:	

CUSTOMER DRAWING