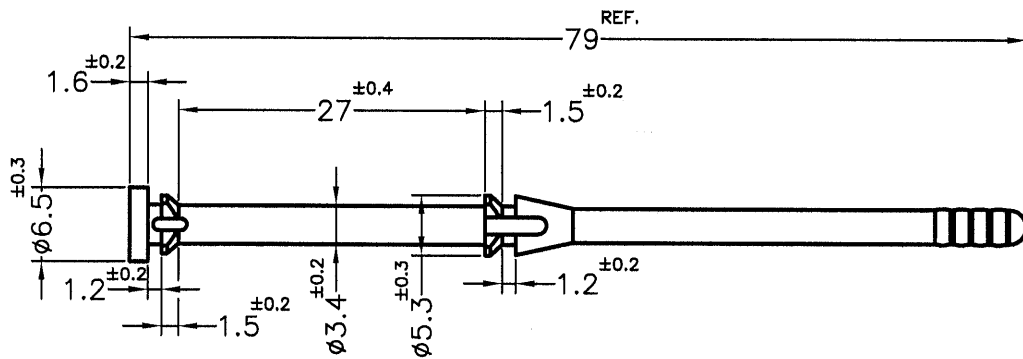


| REVISIONS | | | |
|-----------|-------------|------|----|
| REV | DESCRIPTION | DATE | BY |
| | | | |
| | | | |



MOUNTING HOLE : $\phi 3.6\text{mm}$

| PART NO. | HARDNESS | COLOR |
|------------|-----------------------------|-------|
| BUB-79G(B) | $45^{\circ} \pm 10^{\circ}$ | BLACK |
| BUB-79H(B) | $55^{\circ} \pm 10^{\circ}$ | |
| BUB-79H(W) | | WHITE |
| BUB-79 | $80^{\circ} \pm 10^{\circ}$ | BLACK |

NOTE:MADE OF EQUIVALENT MATERIAL.
使用同等材質

| | | | | | | | |
|--|-----------|----------------|--------|--------------------------------------|----------------|------------|------------|
| <p>康揚企業股份有限公司 KANG YANG HARDWARE ENTERPRISE CO., LTD. 康揚塑膠(東莞)有限公司 KANG YANG PLASTIC(DONG GUAN) CO.,LTD. 康哲電腦配件(吳江)有限公司 KANG CHE COMPUTER COMPONENTS(WUJIANG) CO.,LTD.</p> | | | | TITLE | FAN SNAP RIVET | SPEC. DWG. | |
| | | | | MATERIAL | TPE | DATE | 2007.10.15 |
| | | | | HARDNESS | SEE ABOVE | DRAWN | Lung |
| | | | | COLOR | SEE ABOVE | CHECK | |
| PART NUMBER | SEE ABOVE | DRAWING NUMBER | BUB-79 | UNLESS OTHERWISE SPECIFIED TOLERANCE | SEE ABOVE | APPROVED | |
| SIZE | A4 | SCALE | 3:2 | UNIT | mm | REV | C |