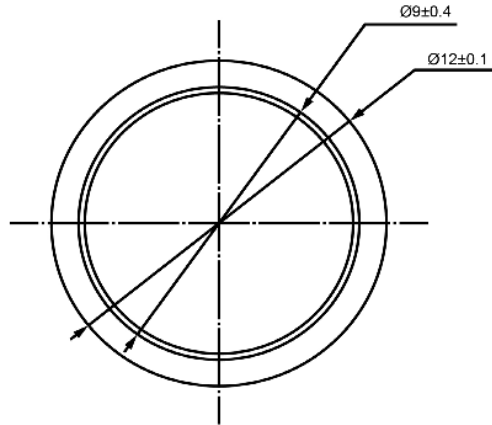
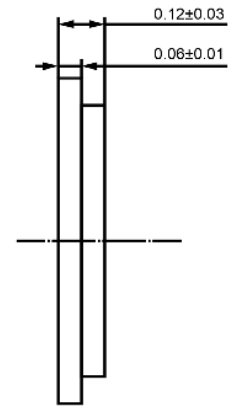


**TOP VIEW**



**SIDE VIEW**



| Specifications           |           |       | Notes  | Revision History |                           |            |          |          |            |            |            |             |            |
|--------------------------|-----------|-------|--|------------------|---------------------------|------------|----------|----------|------------|------------|------------|-------------|------------|
| Description              | Value     | Unit  |  | Version          | Description               | Date       | Approved | Drawn by | Date       | Checked by | Date       | Approved by | Date       |
| Resonant Frequency       | 6,000     | (Hz)  | 1) All dimensions are in mm unless otherwise noted<br>2) All parts meet RoHS | 1                | Released from Engineering | 10/21/2013 | J.S      | A.B.     | 10/21/2013 | C.E.       | 10/21/2013 | J.S         | 10/21/2013 |
| Resonant Impedance (Max) | 700       | (Ohm) |  |                  |                           |            |          |          |            |            |            |             |            |
| Max Input Voltage        | 30        | (V)   |  |                  |                           |            |          |          |            |            |            |             |            |
| Capacitance              | 13,000    | (pF)  |  |                  |                           |            |          |          |            |            |            |             |            |
| Plate Material           | Brass     |       |  |                  |                           |            |          |          |            |            |            |             |            |
| Operating Temperature    | -20 ~ +60 | °C    |  |                  |                           |            |          |          |            |            |            |             |            |
| Storage Temperature      | -20 ~ +70 | °C    |  |                  |                           |            |          |          |            |            |            |             |            |
|                          |           |       |  |                  |                           |            |          |          |            |            |            |             |            |
|                          |           |       |  |                  |                           |            |          |          |            |            |            |             |            |
|                          |           |       |  |                  |                           |            |          |          |            |            |            |             |            |
|                          |           |       |  |                  |                           |            |          |          |            |            |            |             |            |



**DB UNLIMITED**

**Piezo Bender**

**P12060-1**

Additional considerations can be found at [www.dbunlimitedco.com/technical-articles](http://www.dbunlimitedco.com/technical-articles).