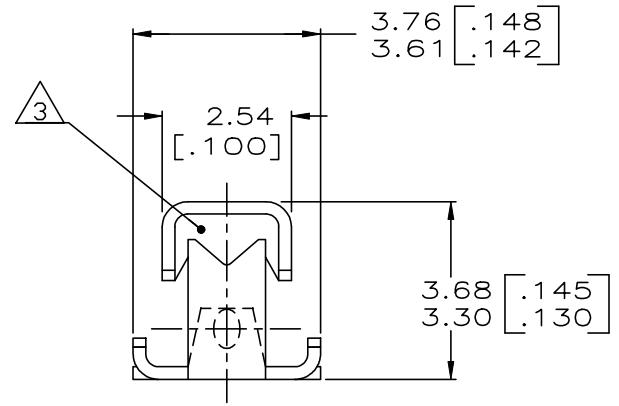
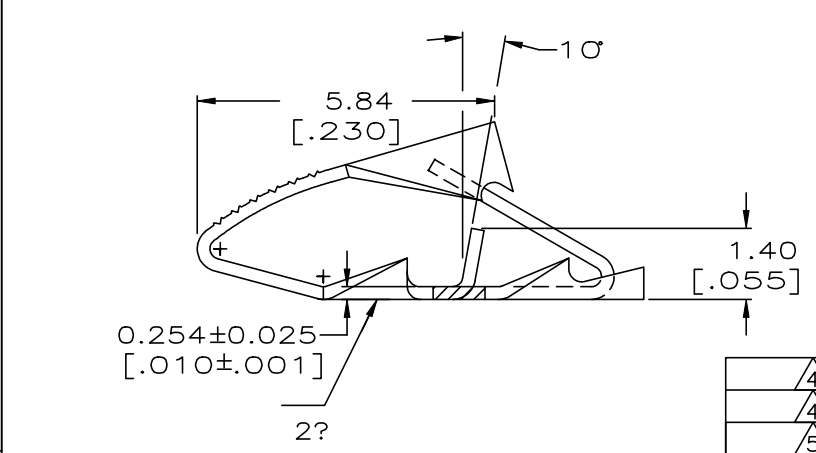
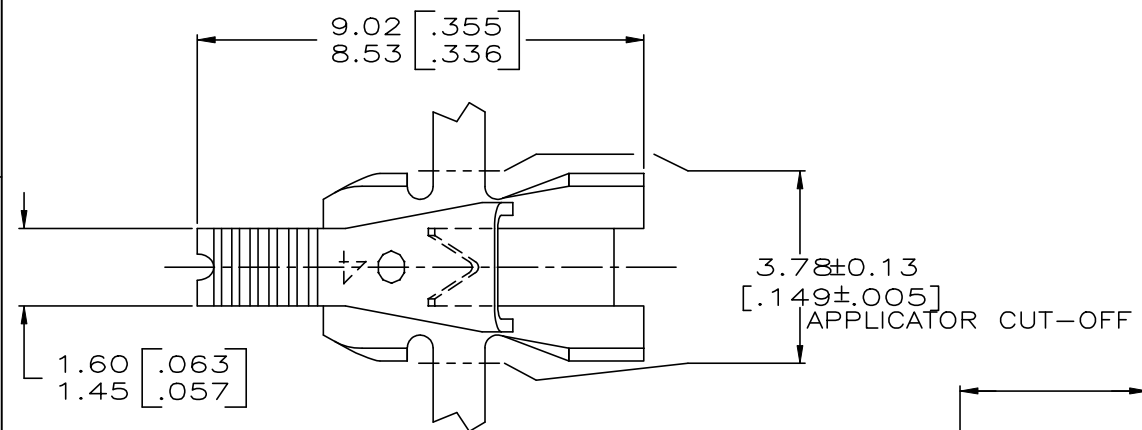


DRAWING MADE IN THIRD ANGLE PROJECTION

THIS DRAWING IS UNPUBLISHED. RELEASED FOR PUBLICATION .19
 © COPYRIGHT 19 BY AMP INCORPORATED. ALL INTERNATIONAL RIGHTS RESERVED.

LOC		DIST		REVISIONS				DATE	APPD
AF		50		P	F	ZONE	LTR	DESCRIPTION	
							T	REVISED PER ECR-19-008673	07AUG2019
									PC/SE



- 1 CONTINUOUS STRIP ON REELS WITH TERMINALS LOCATED ON 6.10±0.08 [.240±.003] CENTERS.
- 2 IDENTIFICATION NUMBER (04) FOR MAGNET WIRE RANGE.
- 3 SOLID OR FUSED STRANDED LEAD WIRE 0.3-0.9mm² [#22-#18] AWG.
- 4 0.001016 [.000040] MIN TIN.
- 5 TIN PLATE

4	SPLICE FREE	STANDARD REELS	0.02-0.06mm [#52-#42] AWG	62781-3
4	SPLICE FREE	PLASTIC REELS	0.02-0.06mm [#52-#42] AWG	62781-2
5	PAPER	STANDARD REELS	0.02-0.06mm [#52-#42] AWG	62781-1
FINISH	SPLICE	REELING	COPPER MAGNET WIRE RANGE	PART NUMBER

DR	9/27/89
CHK	MICHAEL S. FEHER
APPD	JEFF R. RUTH
APPD	10/12/89
APPD	NELSON E. NEFF
APPD	10/12/89
APPD	TERRY L. SHUTTER
PRODUCT SPEC	108-2016
APPLICATION SPEC	114-2047
WEIGHT	-

TE Connectivity		
NAME		
TERMINAL, POKE-IN, MINI MAG-MATE™		
SIZE	CAGE CODE	DRAWING NO
B	00779	62781
SCALE	SHEET	
10:1	1 OF 1	

CUSTOMER DRAWING