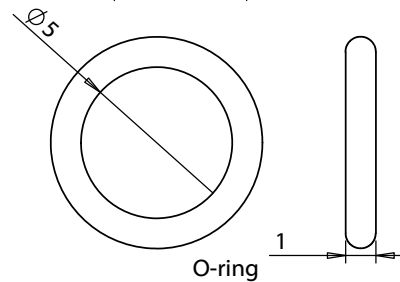
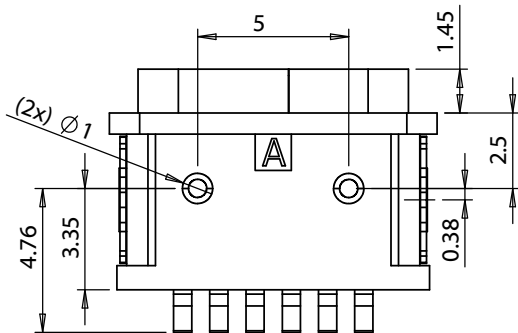
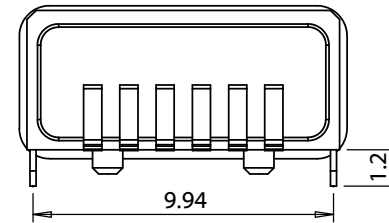
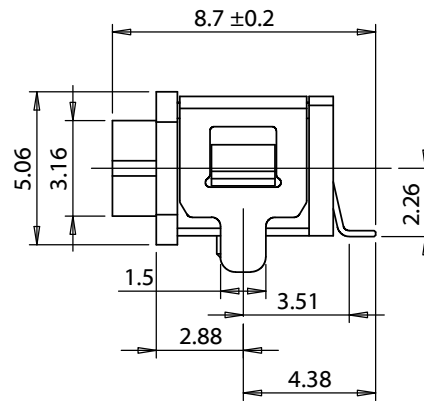
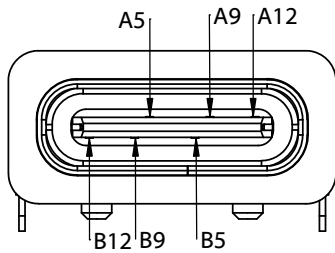
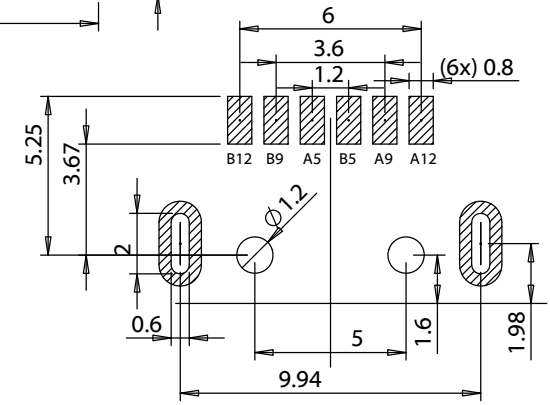


Signal Name	
A5	CC1
A9	VBUS
A12	GND
B5	CC2
B9	VBUS
B12	GND



O-ring
Recommended compression 40 - 50%



Revision:	Date:	Description:	Prepared:	Notes:	<h1>TENSILITY</h1> <p>tel 1.541.323.3228 800 877.670.7118 fax 1.541.323.4202 web tensility.com</p>
A	6/11/2021	Initial release	AG <small>Digitally signed by AG Date: 2021.06.22 09:47:40 +0700'</small>	RoHS compliant	
			Verified: AW <small>Digitally signed by AW Date: 2021.06.22 12:55:04 -07'00'</small>	Function test: no open, no short circuit, no intermittent	Size: Part number: A 54-00285
			Dimensions are in millimeters. Tolerances: X: ± 0.1 mm X.X: ± 0.1 mm X.XX: ± 0.1 mm	Description: Connector, USB type C power jack, SMT, through hole, 90°, nickel shell, IPX7 waterproof, reel	Scale: 4:1 Sheet 1 of 2

Materials

- ① Shell, stainless steel, nickel plating
- ② Pins, phosphor bronze, gold plating
- ③ Insulator, Nylon PA10T+ 30% GF, black
- ④ O-ring, Silicone Rubber, black

Electrical

Rated voltage: 30 Vdc
 Rated current: 3 A
 Dielectric strength: 1 min @ 100 Vac
 Insulation resistance: 100 MΩ min
 Contact resistance: 30 mΩ or less

Mechanical

Insertion force: 3.5 kgf maximum
 Withdrawal force: 0.8 kgf minimum
 Durability: 10,000 cycle minimum

Environmental

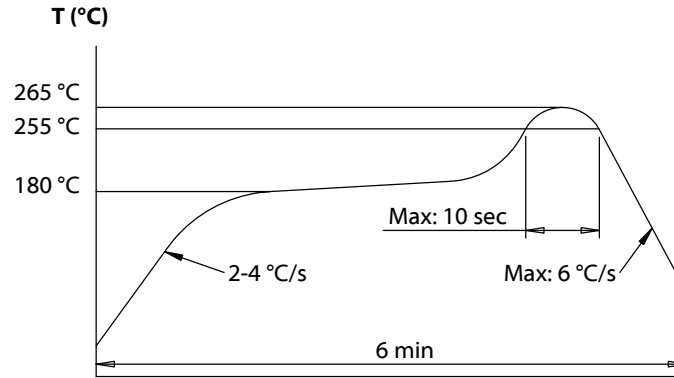
Waterproof: IPX7

Operating range

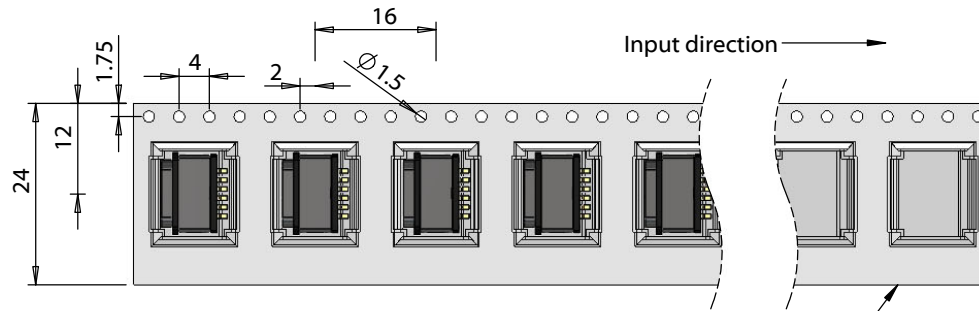
-40 ~ 85 °C

Packaging

Tape and Reel
 600 pieces per reel
 10 reels per carton
 Silicone o-ring packaged separate from reel



Reflow soldering temperature profile



20 pieces empty at beginning of reel

Revision:	Date:	Description:	Prepared:	Notes:	<h1>TENSILITY</h1> tel 1.541.323.3228 800 877.670.7118 fax 1.541.323.4202 web tensility.com
A	6/11/2021	Initial release	AG <small>Digitally signed by AG Date: 2021.06.22 09:47:53 -07'00'</small>		
			Verified:	Function test: no open, no short circuit, no intermittent	Size: Part number: A 54-00285
			AW <small>Digitally signed by AW Date: 2021.06.22 12:55:17 -07'00'</small>		
				Description: Connector, USB type C power jack, SMT, through hole, 90°, nickel shell, IPX7 waterproof, reel	Scale: 1:1