

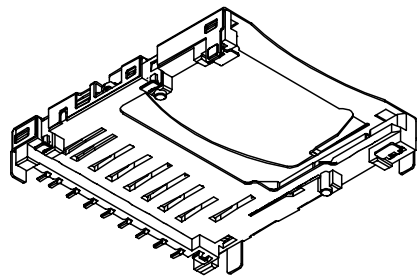
- NOTES:
- 1.TERMINAL AND NAIL COPLANARITY TO BE 0.1 MAX.
 - 2.WHEN DELIVERING, THE PUSH/PUSH MECHANISM IS IN THE STATE OF THE UNLOCK.(CARD DASHING OUT POSITION)
 - 3.CARD READ ONLY BY THE TIME THE CARD DETECTION SWITCH WORKS.
 - 4.OPENING AND CLOSE OF EACH SWITCH.

CARD INSERTION STATUS	WRITE PROTECT SWITCH		DETECT SWITCH
	WRITE PROTECT POSITION	WRITE ENABLE POSITION	
CARD UNINSERTION	OPEN	OPEN	OPEN
CARD HALF INSERTION	CLOSE	CLOSE	OPEN
CARD INSERTION	OPEN	CLOSE	CLOSE

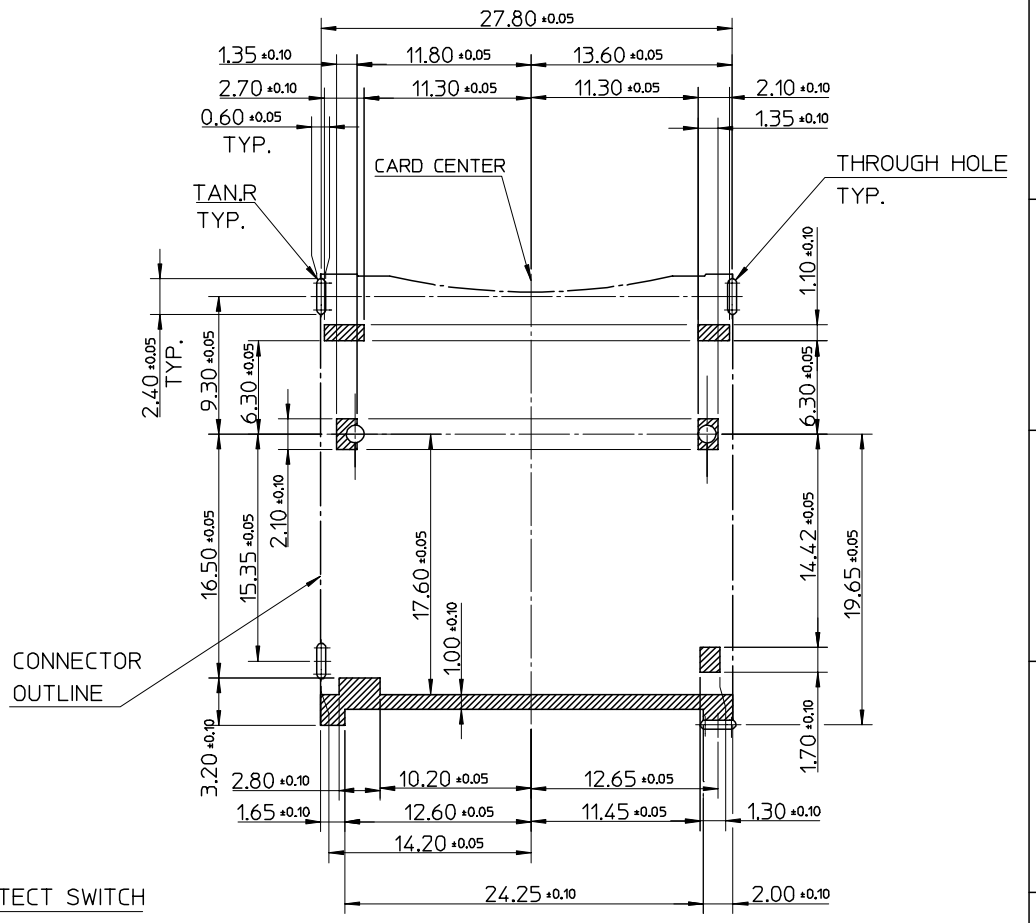
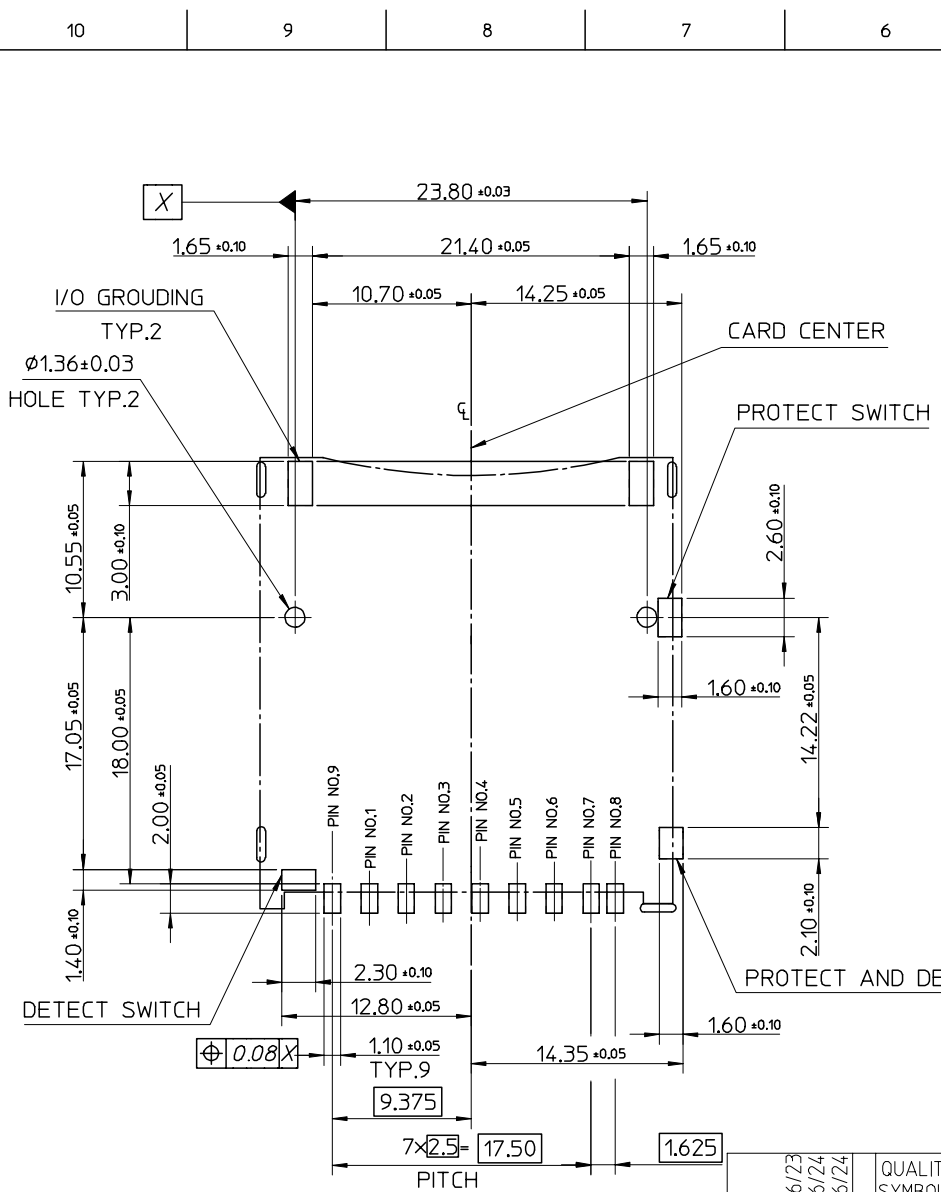
5.MATERIAL AND FINISH AS BELOW

NO	NAME	QT'Y	MATERIAL
1	HOUSING	1	LCP,UL 94V-0,COLOR:BLACK
2	HEART CAM	1	LCP,UL 94V-0,COLOR:BLACK
3	TERMINAL	9	COPPER ALLOY,SELECTIVE Au PLATING
4	METAL SHELL	1	STAINLESS STEEL
5	PIN	1	STAINLESS STEEL
6	SPRING	1	STEEL WIRE
7	PROTECT TERMINAL	1	COPPER ALLOY, SELECTIVE Au PLATING
8	PROTECT AND DETECT TERMINAL	1	COPPER ALLOY, SELECTIVE Au PLATING
9	DETECT TERMINAL	1	COPPER ALLOY, SELECTIVE Au PLATING
10	NAIL	2	COPPER ALLOY, TIN-LEAD PLATING
11	CARD LOCK	1	STAINLESS STEEL

6. PRODUCT SPECIFICATION : PER PS-67840-001
7. I/O CONTACTS, BASE ON SD I/O ASSOC. REV. G.
8. THIS HAS A LOCK MECHANISM FOR SD CARD,IT DOES NOT WORK FOR THE MMC. CARD AT LOCK POSITION, IF PULLED OUT MANUALLY. THE NEXT CARD INSERTED WILL BE EJECTED.
9. RECOMMENED P.CBOARD THICKNESS: 0.8±0.1
10. PACKAGING REFERS TO PK-67840-001



NEW RELEASE EC NO: T2003-0281 DRAWN: YCHANG 2003/06/23 CHKD: 2003/06/24 APPR: WWSCHANG03/06/24	QUALITY SYMBOLS	GENERAL TOLERANCES (UNLESS SPECIFIED)	SCALE 2:1	DESIGN UNITS METRIC	THIRD ANGLE PROJECTION	REVISE ON CAD ONLY
	▽ - 0	4 PLACES ± --- ± ---	mm INCH	DIMENSION STYLE MM ONLY	TITLE	
	∇ - 0	3 PLACES ± --- ± ---		DRAWN BY DATE	SD MEMORY CARD CONN. ASS'Y (TOP MOUNT TYPE 1.8MM STAND OFF)	
	∇ - 0	2 PLACES ± 0.25 ± ---		MAX 2002/12/03		
		1 PLACE ± 0.25 ± ---		CHECKED BY DATE	MOLEX INCORPORATED	
		ANGULAR ± 3 °		WILSON 2002/12/03		
		DRAFT WHERE APPLICABLE		APPROVED BY DATE	MATERIAL NO.	DOCUMENT NO.
		MUST REMAIN WITHIN DIMENSIONS		ERICK 2002/12/03	67840-0001	SD-67840-001
					SHEET NO.	
					1 OF 3	
					THIS DRAWING CONTAINS INFORMATION THAT IS PROPRIETARY TO MOLEX INCORPORATED AND SHOULD NOT BE USED WITHOUT WRITTEN PERMISSION	



STAND OFF AREA FOR PATTERN PROHIBITION

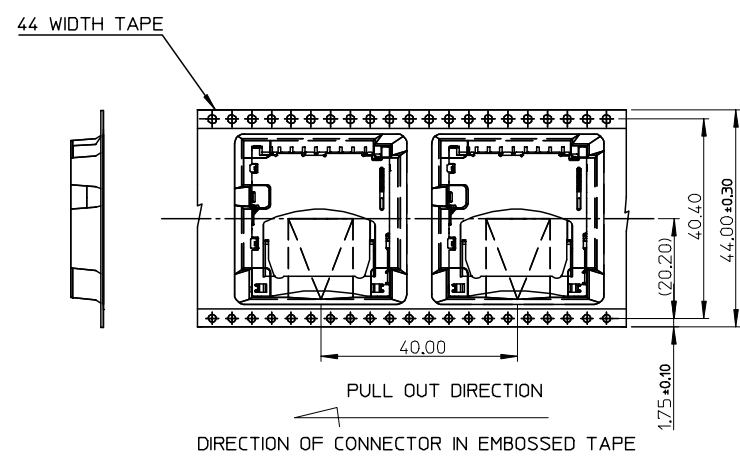
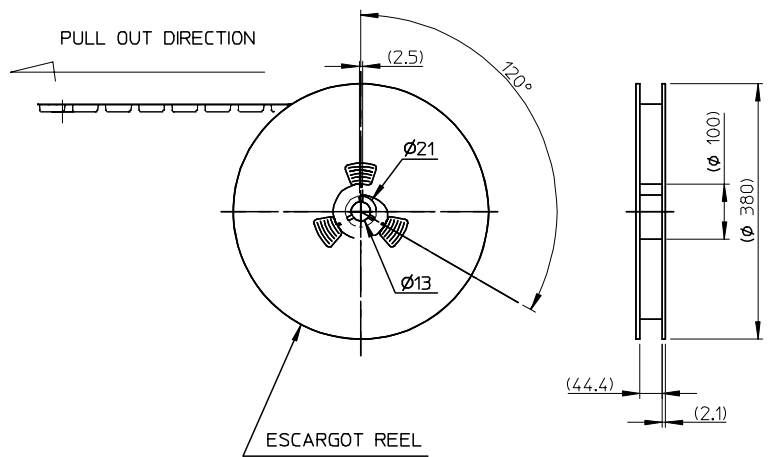
RECOMMENDED PCB PATTERN LAYOUT

NEW RELEASE	EC NO:	2003/06/23
	DRWN:YCHANG	2003/06/24
	CHKD:	2003/06/24
	APPR:WWSCHAN	2003/06/24
REV	DESCRIPTION	
A		

QUALITY SYMBOLS	GENERAL TOLERANCES (UNLESS SPECIFIED)
▽ = 0	4 PLACES ± --- ± ---
▽ = 0	3 PLACES ± --- ± ---
▽ = 0	2 PLACES ± 0.25 ± ---
▽ = 0	1 PLACE ± 0.25 ± ---
	ANGULAR ± 3 °
	DRAFT WHERE APPLICABLE
	MUST REMAIN WITHIN DIMENSIONS

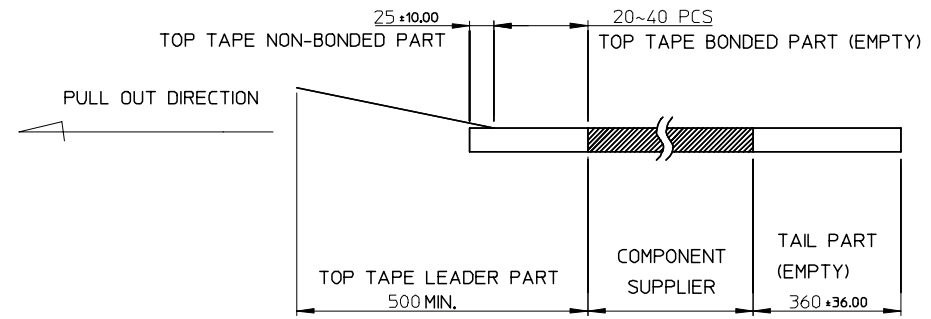
SCALE	DESIGN UNITS
3:1	METRIC
DIMENSION STYLE	
MM ONLY	
DRAWN BY	DATE
MAX	2002/12/03
CHECKED BY	DATE
WILSON	2002/12/03
APPROVED BY	DATE
ERICK	2002/12/03

THIRD ANGLE PROJECTION	REVISE ON CAD ONLY
TITLE	
SD MEMORY CARD CONN. ASS'Y (TOP MOUNT TYPE 1.8MM STAND OFF)	
MOLEX INCORPORATED	
MATERIAL NO.	DOCUMENT NO.
67840-0001	SD-67840-001
SHEET NO.	2 OF 3
THIS DRAWING CONTAINS INFORMATION THAT IS PROPRIETARY TO MOLEX INCORPORATED AND SHOULD NOT BE USED WITHOUT WRITTEN PERMISSION	

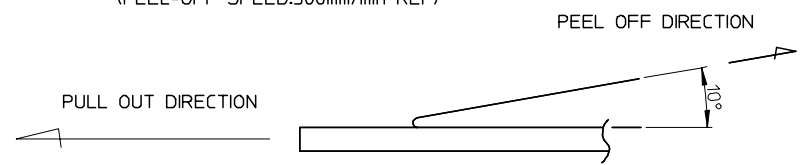


NOTES:

1. NUMBER OF CONNECTORS: 250 PCS/REEL
- 2.



3. PEEL-OFF FORCE OF TOP TAPE: 0.1~1.3N (10.2~130gf)
(PEELING DIRECTION AS SHOWN IN FOLLOWING FIGURE.)
(PEEL-OFF SPEED:300mm/min REF)



NEW RELEASE EC NO: T2003-0281 DRWN: YCHANG 2003/06/23 CHKD: 2003/06/24 APPR: WWSCHAN2003/06/24	QUALITY SYMBOLS	GENERAL TOLERANCES (UNLESS SPECIFIED)	SCALE 1:1	DESIGN UNITS METRIC	THIRD ANGLE PROJECTION	REVISE ON CAD ONLY																																		
	▽ = 0 □ = 0 S = 0	<table border="1"> <thead> <tr> <th></th> <th>mm</th> <th>INCH</th> </tr> </thead> <tbody> <tr> <td>4 PLACES</td> <td>± ---</td> <td>± ---</td> </tr> <tr> <td>3 PLACES</td> <td>± ---</td> <td>± ---</td> </tr> <tr> <td>2 PLACES</td> <td>± 0.25</td> <td>± ---</td> </tr> <tr> <td>1 PLACE</td> <td>± 0.25</td> <td>± ---</td> </tr> <tr> <td colspan="3">ANGULAR ± 3 °</td> </tr> </tbody> </table>		mm	INCH	4 PLACES	± ---	± ---	3 PLACES	± ---	± ---	2 PLACES	± 0.25	± ---	1 PLACE	± 0.25	± ---	ANGULAR ± 3 °			<table border="1"> <thead> <tr> <th colspan="2">DIMENSION STYLE</th> </tr> <tr> <th colspan="2">MM ONLY</th> </tr> </thead> <tbody> <tr> <td>DRAWN BY</td> <td>DATE</td> </tr> <tr> <td>MAX</td> <td>2002/12/03</td> </tr> <tr> <td>CHECKED BY</td> <td>DATE</td> </tr> <tr> <td>WILSON</td> <td>2002/12/03</td> </tr> <tr> <td>APPROVED BY</td> <td>DATE</td> </tr> <tr> <td>ERICK</td> <td>2002/12/03</td> </tr> </tbody> </table>	DIMENSION STYLE		MM ONLY		DRAWN BY	DATE	MAX	2002/12/03	CHECKED BY	DATE	WILSON	2002/12/03	APPROVED BY	DATE	ERICK	2002/12/03	TITLE	SD MEMORY CARD CONN. ASS'Y (TOP MOUNT TYPE 1.8MM STAND OFF)	
		mm	INCH																																					
	4 PLACES	± ---	± ---																																					
3 PLACES	± ---	± ---																																						
2 PLACES	± 0.25	± ---																																						
1 PLACE	± 0.25	± ---																																						
ANGULAR ± 3 °																																								
DIMENSION STYLE																																								
MM ONLY																																								
DRAWN BY	DATE																																							
MAX	2002/12/03																																							
CHECKED BY	DATE																																							
WILSON	2002/12/03																																							
APPROVED BY	DATE																																							
ERICK	2002/12/03																																							
A	REV	DRAFT WHERE APPLICABLE MUST REMAIN WITHIN DIMENSIONS	MOLEX INCORPORATED MATERIAL NO. ENTER-PART DOCUMENT NO. SD-67840-001 SHEET NO. 3 OF 3																																					