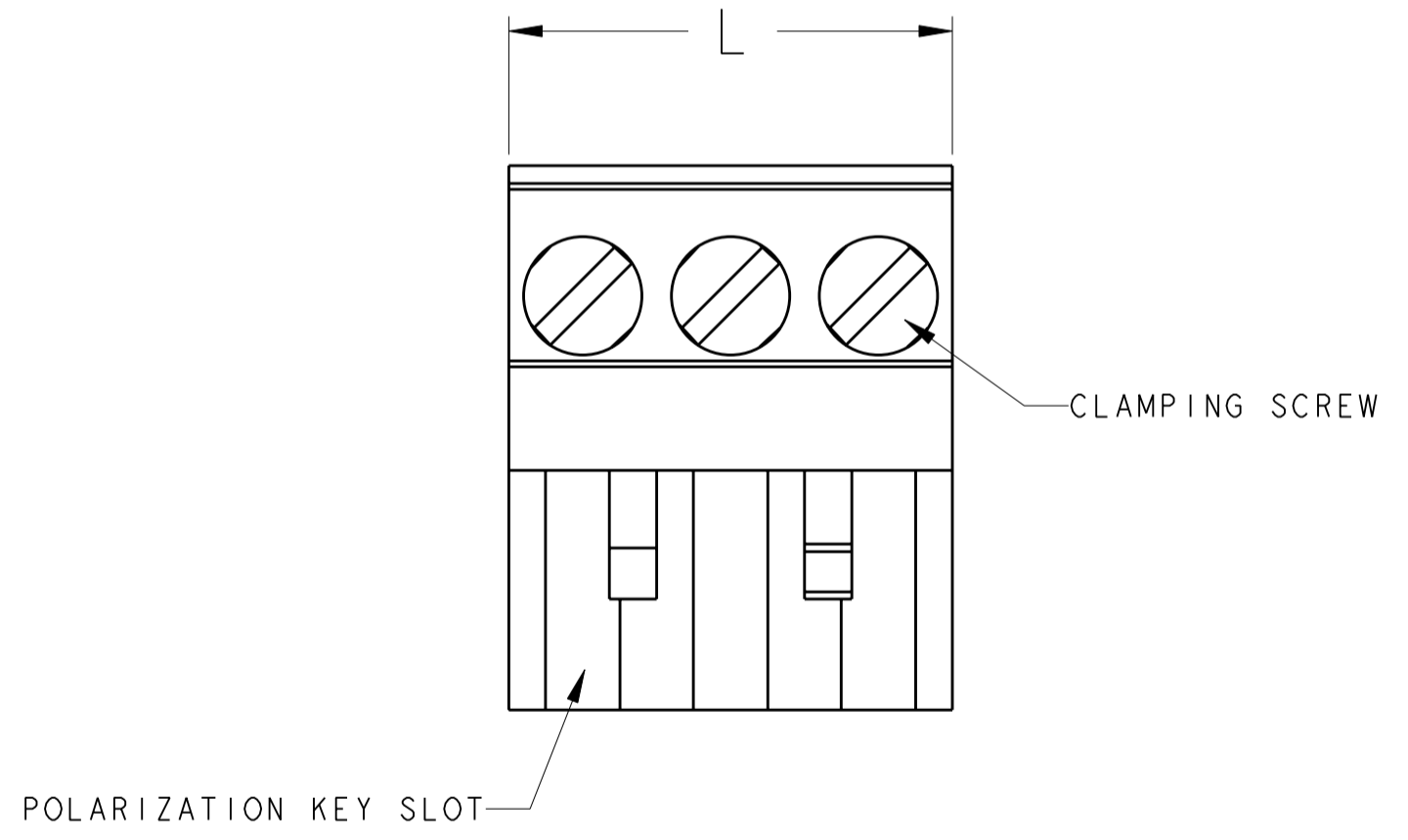
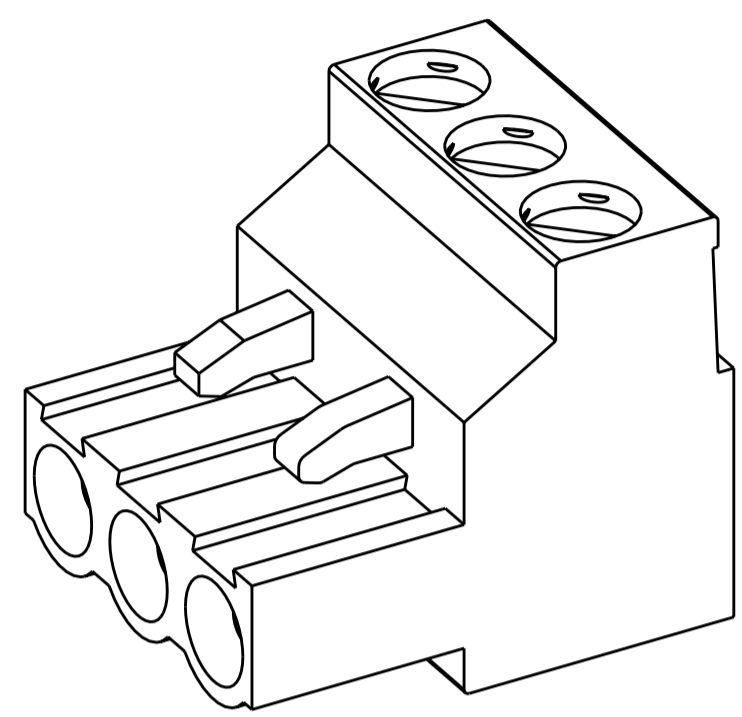
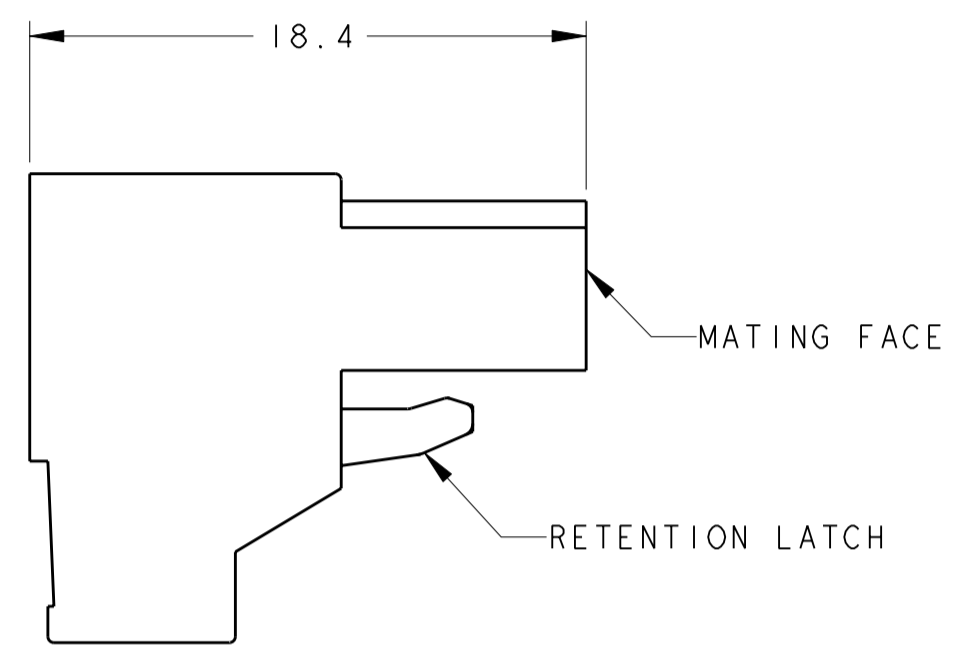
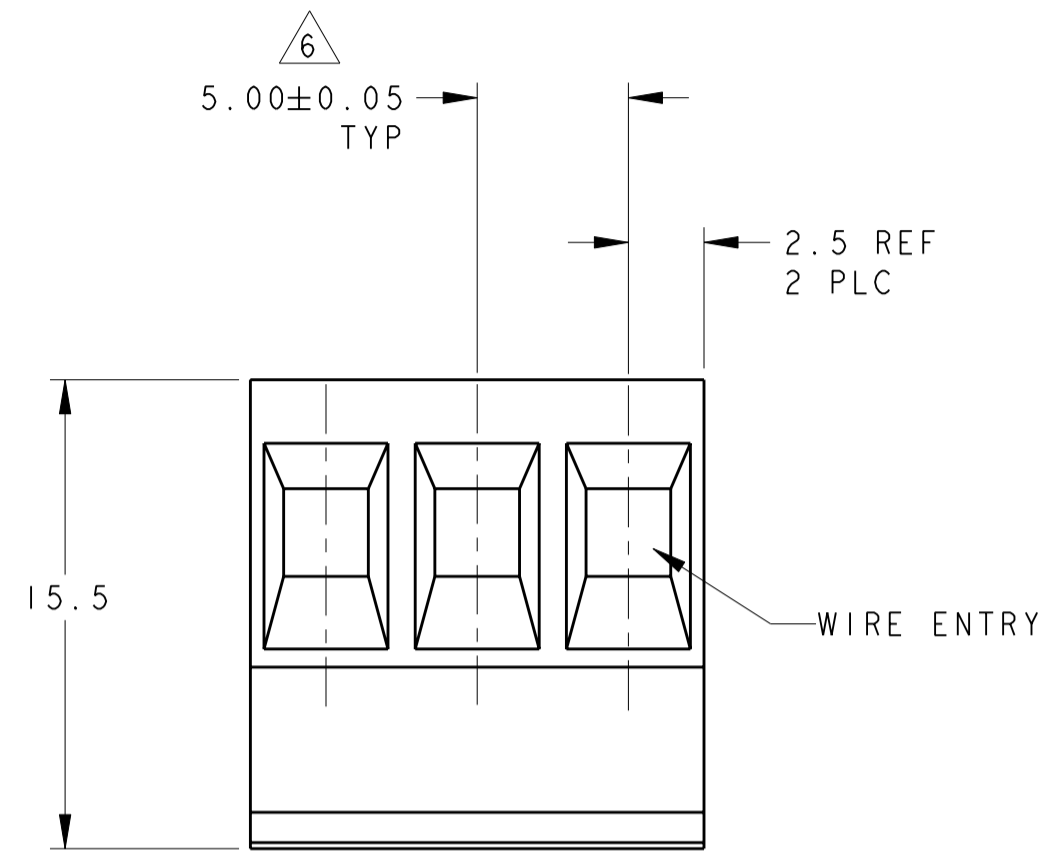


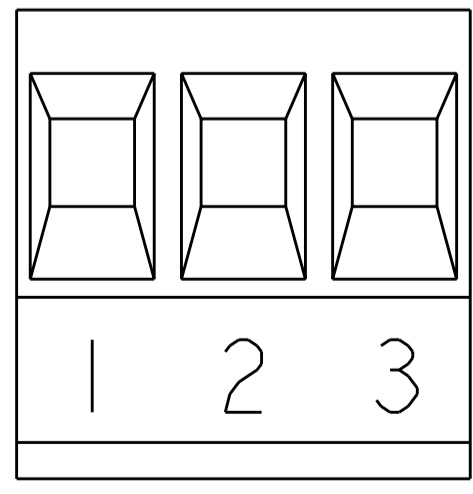
THIS DRAWING IS UNPUBLISHED. RELEASED FOR PUBLICATION 20
 © COPYRIGHT 20 BY TYCO ELECTRONICS CORPORATION. ALL RIGHTS RESERVED.

LOC		DIST		REVISIONS			
P	LTR	DESCRIPTION	DATE	DWN	APVD		
		A	RELEASED	-	-	-	
		A1	REVISED ECO-06-007741	31MAR2006	SW	CR	
		A2	REVISED PER ECO-07-014363	20JUN2007	SS	CR	

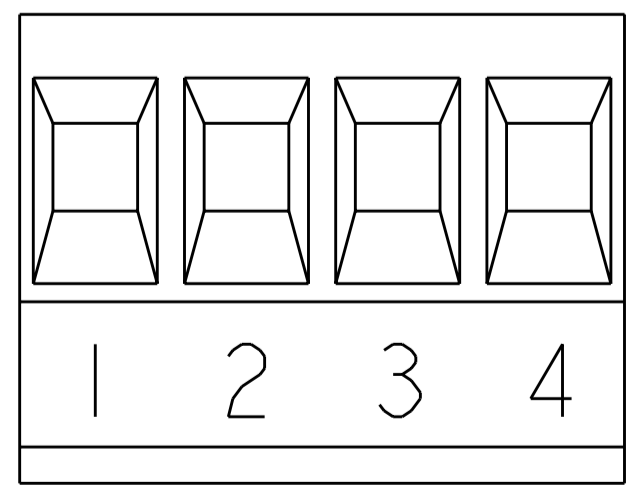


- 1 MATERIALS AND FINISH:
 HOUSING: PA 6-6, UL 94-V0, COLOR: GRAY.
 CLAMP: BRASS, NICKEL PLATED.
 DOUBLE SIDE CONTACT SPRING: PHOSPHOR BRONZE, TIN PLATED.
 CLAMPING SCREW: M3, BRASS, NICKEL PLATED.
2. END-TO-END STACKABLE WITHOUT LOSS OF CENTERLINE SPACING.
3. WIRE SIZE RANGE: 12-30 AWG
4. RECOGNIZED UNDER THE COMPONENT PROGRAM OF UNDERWRITERS LABORATORIES INC. FILE N° E60677.
5. IMQ CERTIFICATE WITH SURVEILLANCE IN CONFORMITY WITH IEC 998-1/998-2-1.
- 6 NOT CUMULATIVE TOLERANCE
- 7 PARTS TO BE PERMANENTLY MARKED WITH BLACK LETTERS.

MARKING	DIM L	NO OF POSN	PART NUMBER
SEE DETAIL P	20.0	4	2-1546208-8
SEE DETAIL N	20.0	4	2-1546208-7
SEE DETAIL M	15.0	3	2-1546208-6
	125.0	25	2-1546208-5
	120.0	24	2-1546208-4
	115.0	23	2-1546208-3
	110.0	22	2-1546208-2
	105.0	21	2-1546208-1
	100.0	20	2-1546208-0
	95.0	19	1-1546208-9
	90.0	18	1-1546208-8
	85.0	17	1-1546208-7
	80.0	16	1-1546208-6
	75.0	15	1-1546208-5
	70.0	14	1-1546208-4
	65.0	13	1-1546208-3
	60.0	12	1-1546208-2
	55.0	11	1-1546208-1
	50.0	10	1-1546208-0
	45.0	9	1546208-9
	40.0	8	1546208-8
	35.0	7	1546208-7
	30.0	6	1546208-6
	25.0	5	1546208-5
	20.0	4	1546208-4
	15.0	3	1546208-3
	10.0	2	1546208-2



DETAIL M



DETAIL N

THIS DRAWING IS A CONTROLLED DOCUMENT FOR TYCO ELECTRONICS CORPORATION. IT IS SUBJECT TO CHANGE AND THE CONTROLLING ENGINEERING ORGANIZATION SHOULD BE CONTACTED FOR THE LATEST REVISION.		DWN: S. WELDON 27FEB2004	Tyco Electronics Harrisburg, PA 17105-3608	
DIMENSIONS: mm		CHK: C. RICHARD 27FEB2004	NAME: TERMINAL BLOCK, PLUG, STACKING, 5.00mm PITCH	
TOLERANCES UNLESS OTHERWISE SPECIFIED: 0 PLC ±- 1 PLC ±0.2 2 PLC ±- 3 PLC ±- 4 PLC ±- ANGLES ±- FINISH ±-		APVD: C. RICHARD 27FEB2004	SIZE: A2 CAGE CODE: 00779 DRAWING NO: 1546208	
MATERIAL: 1	FINISH: 1	PRODUCT SPEC: -	RESTRICTED TO: -	
CUSTOMER DRAWING		WEIGHT: -	SCALE: 5:1 SHEET 1 OF 2 REV A2	

4

3

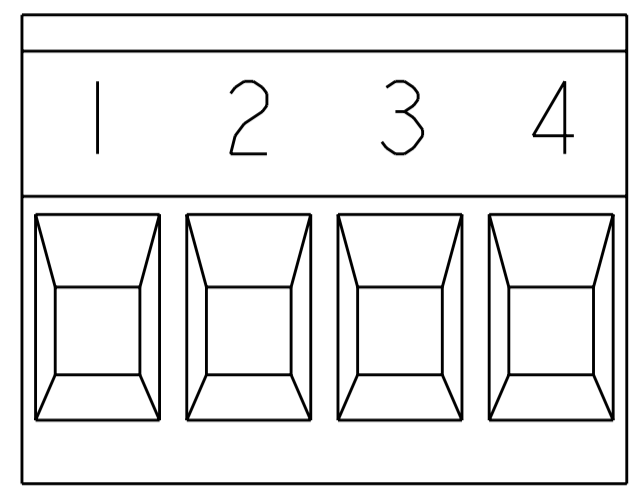
2

1


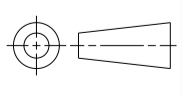
THIS DRAWING IS UNPUBLISHED. RELEASED FOR PUBLICATION 20

© COPYRIGHT 20 BY TYCO ELECTRONICS CORPORATION. ALL RIGHTS RESERVED.

LOC	DIST	REVISIONS			
P	LTR	DESCRIPTION	DATE	DWN	APVD
		SEE SHEET 1	-	-	-




DETAIL P

<small>THIS DRAWING IS A CONTROLLED DOCUMENT FOR TYCO ELECTRONICS CORPORATION IT IS SUBJECT TO CHANGE AND THE CONTROLLING ENGINEERING ORGANIZATION SHOULD BE CONTACTED FOR THE LATEST REVISION.</small>		DWN <u>S. WELDON</u> 27FEB2004 CHK <u>C. RICHARD</u> 27FEB2004 APVD <u>C. RICHARD</u> 27FEB2004	 Tyco Electronics Harrisburg, PA 17105-3608
DIMENSIONS: mm	TOLERANCES UNLESS OTHERWISE SPECIFIED: 0 PLC ±- 1 PLC ±0.2 2 PLC ±- 3 PLC ±- 4 PLC ±- ANGLES ±- FINISH -	PRODUCT SPEC - APPLICATION SPEC - WEIGHT -	NAME TERMINAL BLOCK, PLUG, STACKING, 5.00mm PITCH
MATERIAL -		CUSTOMER DRAWING	SIZE A2 CAGE CODE 00779 DRAWING NO 1546208 RESTRICTED TO -
AMP 1471-9 REV 31MAR2000		SCALE 4:1	SHEET 2 OF 2 REV A2