

VS-IP20-M12FSBP-93B-LI/2,0 - Network cable



1416158

<https://www.phoenixcontact.com/us/products/1416158>

Please be informed that the data shown in this PDF document is generated from our online catalog. Please find the complete data in the user documentation. Our general terms of use for downloads are valid.



Assembled PROFINET cable, CAT 5e, shielded, star quad, AWG 22 stranded (7-wire), RAL 6018 (yellow-green), RJ45 plug/IP20 on M12 flush-type socket, rear/screw mounting with M16 thread, line, length: 2 m

Commercial data

Item number	1416158
Packing unit	1 pc
Minimum order quantity	1 pc
Sales key	AB11
Product key	ABNPAB
Catalog page	Page 236 (PC-2009)
GTIN	4046356474238
Weight per piece (including packing)	169.4 g
Weight per piece (excluding packing)	167 g
Customs tariff number	85444210
Country of origin	PL

VS-IP20-M12FSBP-93B-LI/2,0 - Network cable



1416158

<https://www.phoenixcontact.com/us/products/1416158>

Technical data

Product properties

Product type	Data cable preassembled
Sensor type	PROFINET
Number of positions	4
No. of cable outlets	1
Shielded	yes
Cable outlet	straight

Insulation characteristics

Degree of pollution	3
---------------------	---

Electrical properties

Transmission medium	Copper
Transmission characteristics (category)	CAT5 (IEC 11801:2002)
Transmission speed	100 Mbps
Wave impedance	100 Ω

Mechanical properties

Mechanical data

Insertion/withdrawal cycles	≥ 100
Insertion force per signal contact	50.00 N
Extraction force per signal contact	30 N

Material specifications

Flammability rating according to UL 94	V0
Outer sheath, material	PVC
Conductor material	Tin-plated Cu litz wires

Connector

Connection 1

Type	Plug straight RJ45
Shielded	yes
Degree of protection	IP20
Number of positions	4

Connection 2

Type	Flush-type female connector straight M12
Shielded	yes
Insertion/withdrawal cycles	> 100
Number of positions	4
Degree of protection	IP67

VS-IP20-M12FSBP-93B-LI/2,0 - Network cable




1416158

<https://www.phoenixcontact.com/us/products/1416158>

Cable/line

Cable length	2.00 m
--------------	--------

PROFINET PVC stranded CAT5 [93B]

Dimensional drawing	
Shielded	yes
UL AWM Style	21694
Cable weight	67 kg/km
Cable type	PROFINET PVC stranded CAT5
Short symbol	2YY(ST)CY
Cable type (abbreviation)	93B
Signal type/category	PROFINET CAT5 (IEC 11801), 100 Mbps EtherCAT [®] CAT5 (IEC 11801), 100 Mbps
Cable structure	1x4xAWG22/7, SF/TQ
External cable diameter	6.5 mm ±0.2 mm
Outer sheath, material	PVC
External sheath, color	green RAL 6018
Thickness, outer sheath	approx. 0.9 mm
Material, inner sheath	PVC
Conductor material	Tin-plated Cu litz wires
Conductor structure signal line	7x 0.25 mm
AWG signal line	22
Conductor cross section	4x 0.34 mm ²
Material wire insulation	PE
Wire diameter incl. insulation	1.55 mm
Single wire, color	white, yellow, blue, orange
Overall twist	Star quad
Shielding	Aluminum-coated foil, tinned copper braided shield
Optical shield covering	85 %
Nominal voltage, cable	600 V
Test voltage Core/Core	2000 V (50 Hz, 1 min.)
Test voltage Core/Shield	2000 V (50 Hz, 1 min.)
Cable insulation resistance	≥ 500 MΩ*km
Coupling resistance	≤ 20.00 mΩ/m (at 10 MHz)
Wave impedance	100 Ω ±15 Ω (at 100 MHz)
Loop resistance	≤ 120.00 Ω/km

VS-IP20-M12FSBP-93B-LI/2,0 - Network cable



1416158

<https://www.phoenixcontact.com/us/products/1416158>

Signal runtime	5.3 ns/m
Signal speed	0.66 c
Minimum bending radius, fixed installation	3 x D
Minimum bending radius, flexible installation	7 x D
Damping	2.1 dB (with 1 MHz)
	4 dB (at 4 MHz)
	6.3 dB (at 10 MHz)
	8 dB (at 16 MHz)
	9 dB (at 20 MHz)
	11.4 dB (at 31.25 MHz)
	16.5 dB (at 62.5 MHz)
	21.3 dB (at 100 MHz)
Near end crosstalk attenuation (NEXT)	80 dB (with 1 MHz)
	76 dB (at 4 MHz)
	70 dB (at 10 MHz)
	65 dB (at 16 MHz)
	63 dB (at 20 MHz)
	60 dB (at 31.25 MHz)
	55 dB (at 62.5 MHz)
	50 dB (at 100 MHz)
Resistance to oil	Resistant to oil to a limited extent
Flame resistance	according to UL 1685 (CSA FT 4)
Other resistance	UV resistant According to UL 1581, Section 1200
Ambient temperature (operation)	-40 °C ... 70 °C (Cable, flexible installation)
	-40 °C ... 70 °C (cable, fixed installation)

Environmental and real-life conditions

Ambient conditions

Degree of protection	IP20
	IP67
	IP67/IP20
Ambient temperature (operation)	-25 °C ... 60 °C (cable, fixed installation)
	-5 °C ... 50 °C (Cable, flexible installation)

VS-IP20-M12FSBP-93B-LI/2,0 - Network cable

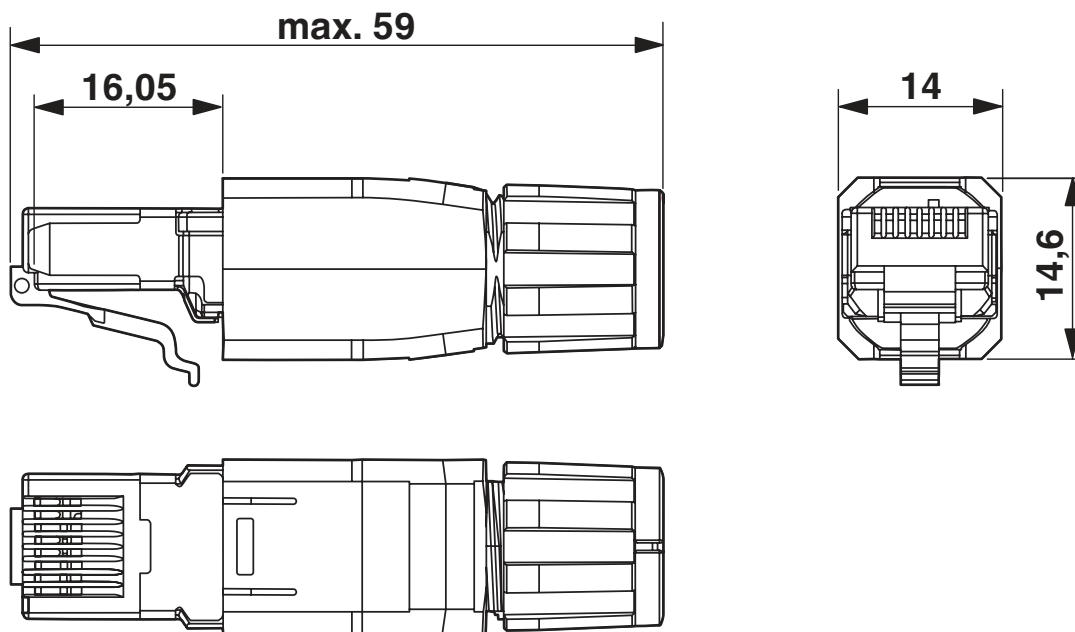


1416158

<https://www.phoenixcontact.com/us/products/1416158>

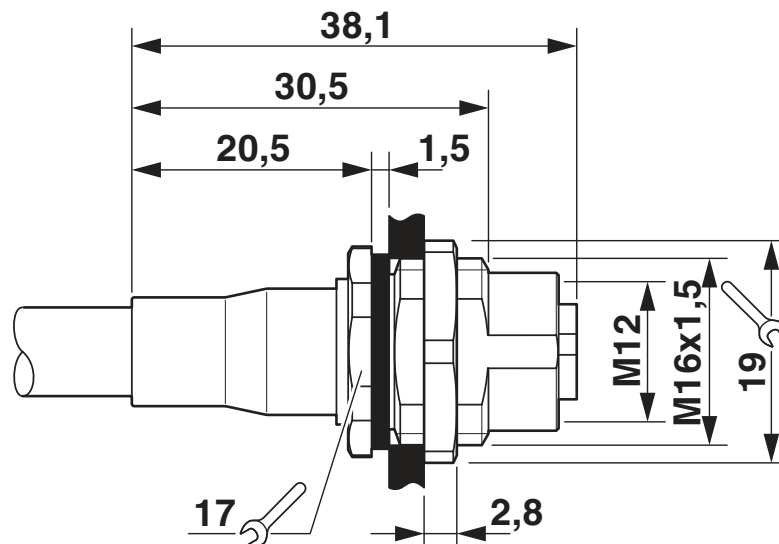
Drawings

Dimensional drawing



RJ45 connector, IP20

Dimensional drawing



M12 flush-type connector

VS-IP20-M12FSBP-93B-LI/2,0 - Network cable



1416158

<https://www.phoenixcontact.com/us/products/1416158>

Approvals

To download certificates, visit the product detail page: <https://www.phoenixcontact.com/us/products/1416158>



EAC

Approval ID: 19060508

VS-IP20-M12FSBP-93B-LI/2,0 - Network cable



1416158

<https://www.phoenixcontact.com/us/products/1416158>

Classifications

ECLASS

ECLASS-11.0	27060307
ECLASS-12.0	27060307
ECLASS-13.0	27060307

ETIM

ETIM 8.0	EC002599
----------	----------

UNSPSC

UNSPSC 21.0	26121600
-------------	----------

VS-IP20-M12FSBP-93B-LI/2,0 - Network cable



1416158

<https://www.phoenixcontact.com/us/products/1416158>

Environmental product compliance

REACH SVHC	Lead 7439-92-1
China RoHS	Environmentally Friendly Use Period = 50 years
	For information on hazardous substances, refer to the manufacturer's declaration available under "Downloads"

Phoenix Contact 2023 © - all rights reserved

<https://www.phoenixcontact.com>

Phoenix Contact USA
586 Fulling Mill Road
Middletown, PA 17057, United States
(+717) 944-1300
info@phoenixcon.com