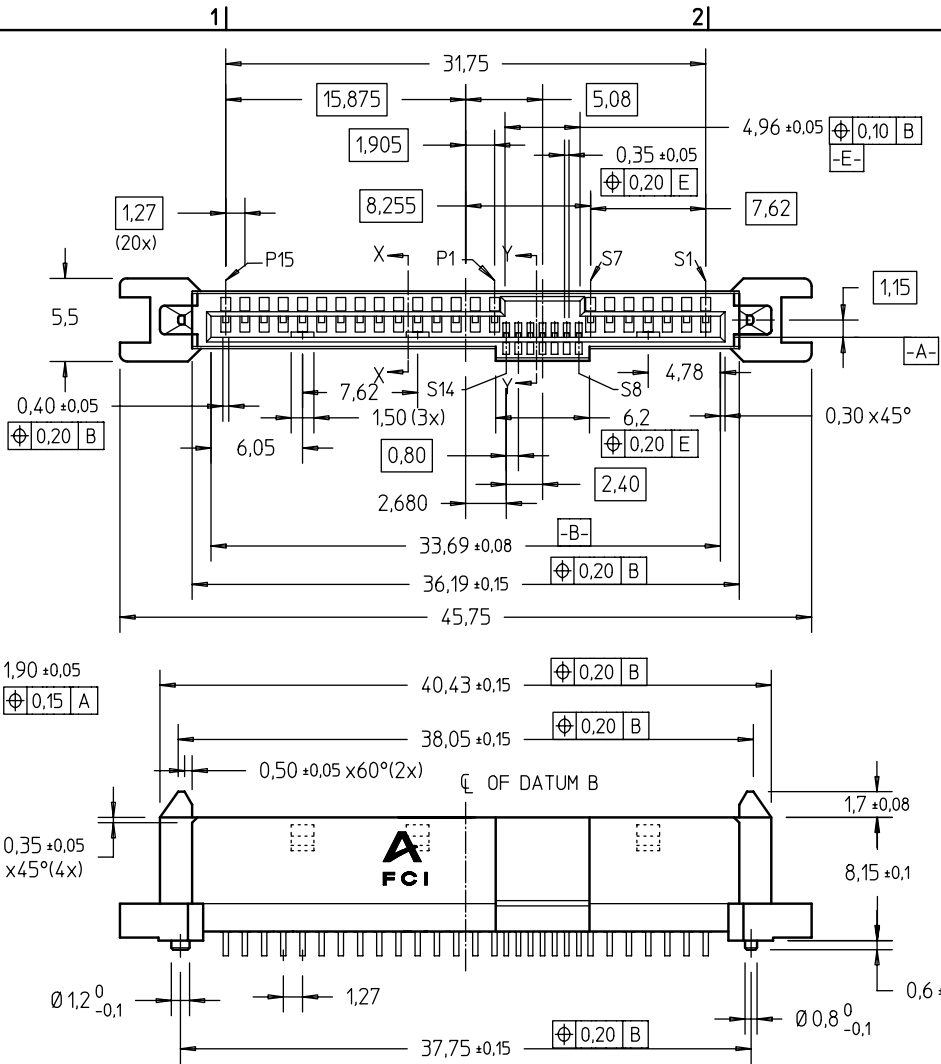
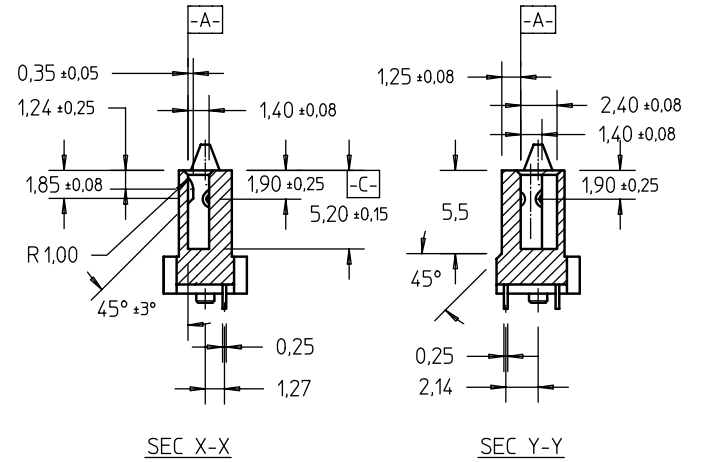
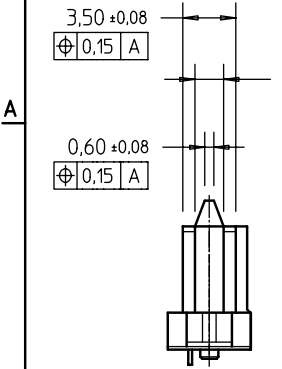


REV	DESCRIPTION	REV'D BY	DATE
A	RLSD ECR S05-0087	GL LOO	17MAR05

PRODUCT NO  
10042118-001LF



- NOTES (Contd)
- 4 TRUE POSITION NOTES APPLY AT TERMINAL TIP
  - 5 THE STD PACKAGING IS IN TRAY.
  - 6 THE HOUSING WILL WITHSTAND EXPOSURE TO 260°C PEAK TEMPERATURE FOR 10 SECONDS IN A WAVE SOLDER APPLICATION WITH 157MM THICK CIRCUIT BOARD.
  - ⑦ THIS PRODUCT MEETS EUROPEAN UNION DIRECTIVES AND OTHER COUNTRY REGULATIONS AS DESCRIBED IN GS-22-008.
  - ⑧ PART NUMBERS ENDING IN 'LF' MEANS FOR NOTE 7 LEAD FREE IDENTIFICATION.  
XXXXXXXX-XXXLF IS EQUIVALENT TO PREVIOUS P/N XXXXXXXX-XXX



- NOTES:
- 1 MATERIAL:
    - 1) HOUSING : HIGH TEMP TERMOPLASTIC, UL 94V-0  
COLOR : BLACK
    - 2) TERMINAL : COPPER ALLOY
    - 3) HOLD DOWN : COPPER ALLOY
  - 2 FINISH :
    - 1) TERMINAL : 30u" Au PLATING (CONTACT POINT) OVER 50u" NICKEL
    - 2) SOLDER TAIL : 50u" min Sn OVER 50u" NICKEL
  - 3 PER SFF REV 11, EXCEPT 0.8mm PITCH BUMP AREA.

CUSTOMER COPY

GEN. TOLERANCES		DO NOT SCALE DWG.		
LINEAR = ±0.20		MM		
ANGLES = ±2°				DESCRIPTION
		NAME	DATE	SAS CABLE RECEPT CONNECTOR
DRAWN	GL LOO	17MAR05		PRODUCT NO. 10042118
CHECKED	GL LOO	17MAR05		SCALE 2 : 1
APPROVED	JOEY NG	17MAR05		SHT 1 OF 1