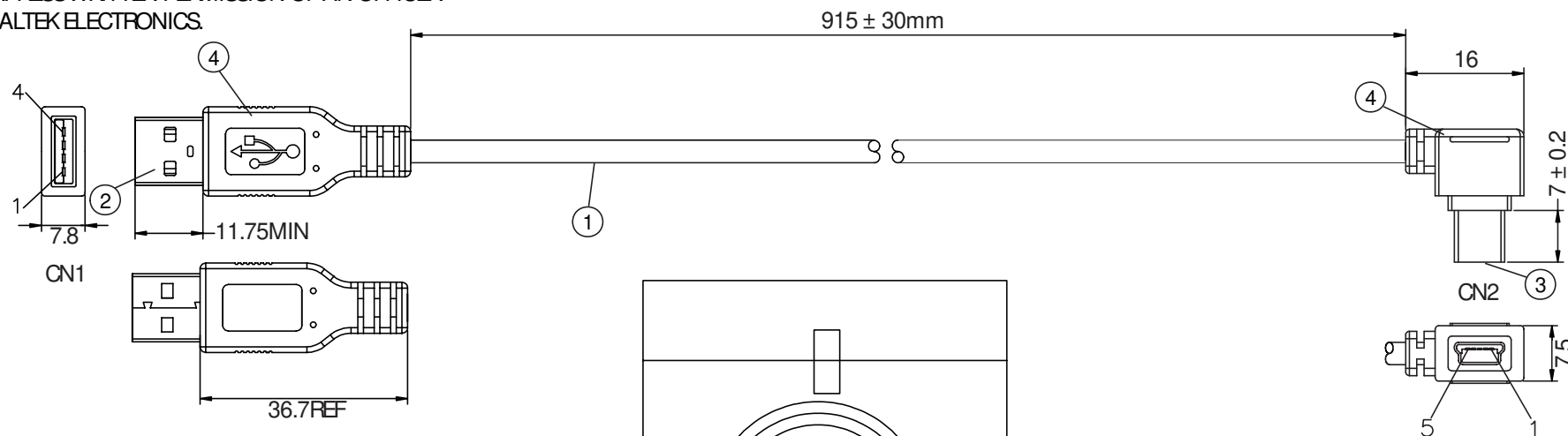
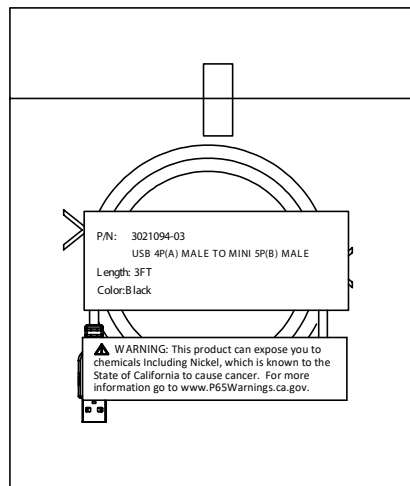


THESE DRAWINGS ARE THE PROPERTY OF QUALTEK ELECTRONICS AND NOT TO BE REPRODUCED FOR OR COMMUNICATED TO A THIRD PARTY WITHOUT THE EXPRESS WRITTEN PERMISSION OF AN OFFICER OF QUALTEK ELECTRONICS.

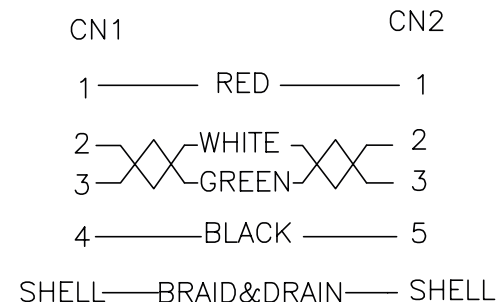
| REVISION | | | |
|----------|-------------|------|----------|
| REV. | DESCRIPTION | DATE | APPROVED |
| | | | |
| | | | |
| | | | |



P/N: 3021094-03
 USB 4P(A) MALE TO MINI 5P(B) MALE
 Length: 3FT
 Color:Black



CONNECTION



NOTES:

- CABLE: UL2725
 28AWGx1PR+24AWGx2C+ AEB(AL) 65%
 OUTER JACKET: BLACK, OD: 4.2 ± 0.2mm
- CONNECTOR: USB 2.0 A TYPE MALE
 INSULATOR: WHITE PBT
 PIN G/F
 NICKEL PLATED SHELL
- CONNECTOR: MINI USB 2.0 (B) 5P/M TYPE MALE
 INSULATOR: BLACK PBT
 PIN G/F
 NICKEL PLATED SHELL
- PVC MOLDED: COLOR 45P BLACK
- ELECTRICAL TEST:
 <1>.100% OPEN SHORT & MISS WIRE TEST
 <2>.INSULATION RESISTANCE: AC 300V DC 300V 10M ohm MIN.
 <3>.CONDUCTOR RESISTANCE: 1 ohm MAX.
- PACKING: 1PC/POLYBAGW/ LABEL

CONTROLLED

| Dim range (mm) | Tolerance +/- (mm) | Qualtek Electronics Corp. WCI DIVISION | | |
|----------------|--------------------|---|----------------|-----------------|
| | | Part Number: 3021094-03 | RoHS Compliant | |
| 0-1 | 0.40 | Description: USB 4P(A)/M - MINI USB 5P(B)/M | | |
| 1-6 | 0.45 | | | |
| 6-18 | 0.50 | UNIT: mm | | |
| 18-50 | 0.60 | | | |
| 50-120 | 0.70 | Drawn / Date | Checked / Date | Approved / Date |
| 120-250 | 0.90 | R Nuti 03-05-19 | 03-05-19 | LY / 03-05-19 |
| 250-500 | 1.20 | | | |