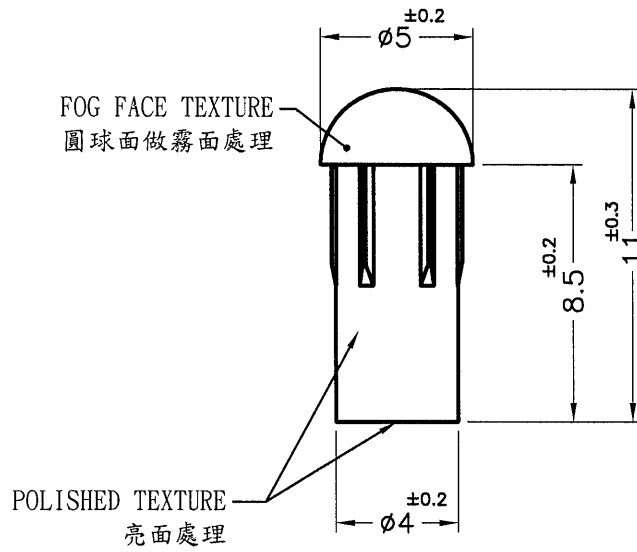
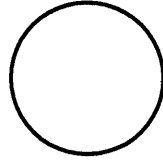





REVISIONS			
REV	DESCRIPTION	DATE	BY



MOUNTING HOLE ø4.2

NOTE:MADE OF EQUIVALENT MATERIAL.
使用同等材質

 <p>康揚企業股份有限公司 KANG YANG HARDWARE ENTERPRISE CO., LTD. 康揚塑膠(東莞)有限公司 KANG YANG PLASTIC(DONG GUAN) CO.,LTD. 康哲電腦配件(吳江)有限公司 KANG CHE COMPUTER COMPONENTS(WUJIANG) CO.,LTD.</p>				TITLE	LED LIGHT PIPE	SPEC. DWG.	
				MATERIAL	PC UL94V-2	DATE	2015.06.17
				FINISH		DRAWN	LUKE
				COLOR	TRANSPARENT	CHECK	
PART NUMBER	LEM-203	DRAWING NUMBER	LEM-203	UNLESS OTHERWISE SPECIFIED TOLERANCE	SEE ABOVE	APPROVED	
SIZE	A4	SCALE	4:1	UNIT	mm	REV	A