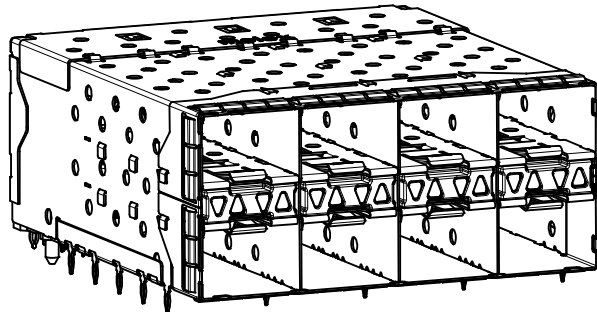


- NOTES
- MATERIAL:
 - CAGE: NICKEL SILVER, THICKNESS: 0.25mm
 - CONNECTOR HOUSING: GLASS FILLED LIQUID CRYSTAL POLYMER (LCP), UL 94V-0, COLOR: BLACK
 - OVERMOLD TERMINAL HOUSING: GLASS FILLED LIQUID CRYSTAL POLYMER (LCP), UL 94V-0, COLOR: BLACK
 - TERMINALS: TIN BRASS
 - EMI GASKET: CONDUCTIVE ELASTOMER
 - LIGHTPIPE HOUSING: ZINC
 - LIGHTPIPES: POLYCARBONATE, COLOR: CLEAR
 - FINISHES:
 - TERMINALS: CONTACT AREA - 0.76 MICROMETERS MINIMUM HARD GOLD OVER 1.27 MICROMETERS MINIMUM NICKEL.
 - COMPLIANT TAIL - 0.76 TO 1.52 MICROMETERS MATTE TIN OVER 0.76 MICROMETERS MINIMUM NICKEL.
 - LIGHTPIPE HOUSING: 80 MICROMETERS MINIMUM NICKEL OVER COPPER
 - REFER TO PS-75310-001 PRODUCT SPEC FOR ALL ELECTRICAL, MECHANICAL, AND ENVIRONMENTAL SPECIFICATIONS.
 - LIGHTPIPE PAD LAYOUT IS FOR 0805 LOW-PROFILE LED PACKAGE. FOR OTHER RECOMMENDED LAYOUTS REFER TO MOLEX'S REPORT TS-75310-001.
 - REFER TO PK-75450-001 FOR ALL PACKAGING SPECIFICATIONS.
 - THE SURFACES CONFORM TO THE MOLEX COSMETIC SPEC PS-45499-002. ALL EXTERIOR SURFACES TO BE CLASS "B" SURFACE EXCEPT THE UNDERSIDE (CLASS "C") OF THE CAGE (SIDE TOWARD THE PCB) AND AS OTHERWISE NOTED.
 - THE OVERALL CAGE WIDTH AT THE VERTICAL CENTER OF THE FRONT EDGE WILL FALL WITHIN THIS DIMENSION: 57.80+/-0.30 MM. THIS PORTION OF THE CAGE WILL FLEX INWARD AS THE CAGE IS BEING INSERTED INTO THE BEZEL OPENING.
 - REFER TO AS-76090-001 FOR HIGH SPEED ROUTING RECOMMENDATIONS.
 - DATE CODE LOCATION IS SHOWN ABOVE.
DATE CODE FORMAT: DDDY MX A1
DDD = DAY OF THE YEAR
Y = YEAR
MX = MOLEX
A = ALPHA CHARACTER - INDICATES MANUFACTURING LINE
1 = NUMERIC CHARACTER - INDICATES PRODUCTION SHIFT

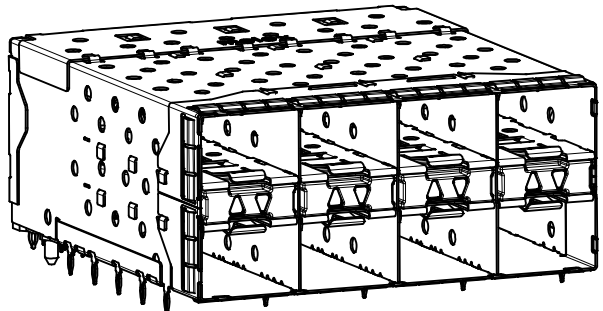
ENHANCED EMI VERSION

PART NUMBER	LIGHTPIPE CONFIGURATION (SEE VIEWS ON SHEET 2)
760467101	4 LIGHT PORTS
	INNER 2 PORTS
	OUTER 2 PORTS

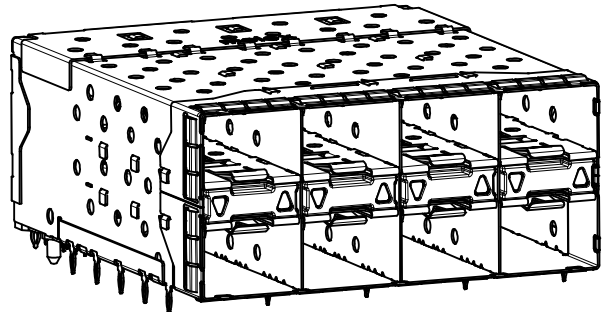
INITIAL RELEASE EC NO: UCP2015-2383 DRWN:BBARKER 2014/12/09 CHKD:TIBARRA 2014/12/09 APPR:SMILLER 2015/03/17	QUALITY SYMBOLS ▽=0 ▽=0 ▽=0	GENERAL TOLERANCES (UNLESS SPECIFIED)		DIMENSION STYLE MM ONLY		SCALE 3:1	DESIGN UNITS METRIC	THIRD ANGLE PROJECTION	
		mm	INCH	DRAWN BY BBARKER	DATE 2014/12/09	TITLE STACKED SFP+ 2X4 ASS'Y W/ METAL EMI GASKET AND LIGHTPIPES, ENHANCED EMI			
		4 PLACES ± ---	± ---	CHECKED BY	DATE				
		3 PLACES ± ---	± ---	APPROVED BY SMILLER		DATE 2015/03/17	DOCUMENT NO. RSD-76046-0003		
2 PLACES ± 0.13	± ---	MATERIAL NO.		SHEET NO. 1 OF 5					
1 PLACE ± 0.25	± ---	DRAFT WHERE APPLICABLE MUST REMAIN WITHIN DIMENSIONS		SIZE C	THIS DRAWING CONTAINS INFORMATION THAT IS PROPRIETARY TO MOLEX INCORPORATED AND SHOULD NOT BE USED WITHOUT WRITTEN PERMISSION				
0 PLACE ±	±								



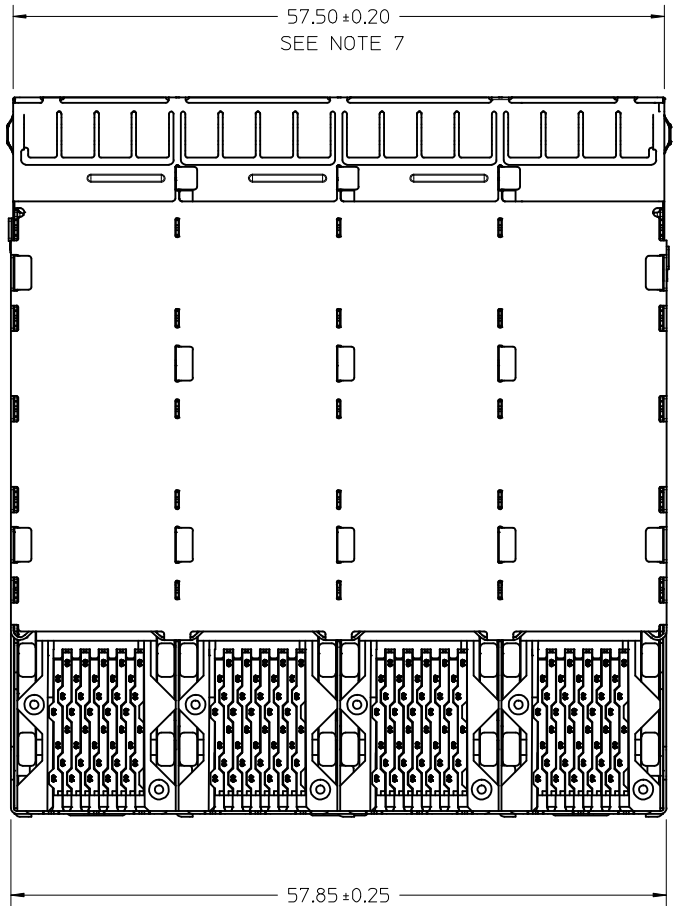
760467101
WITH INNER AND OUTER LIGHTPIPPES



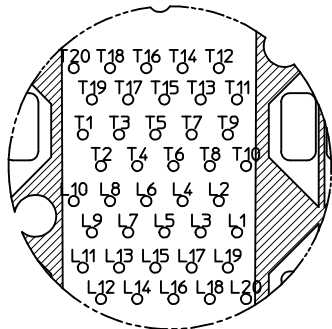
WITH INNER LIGHTPIPPES



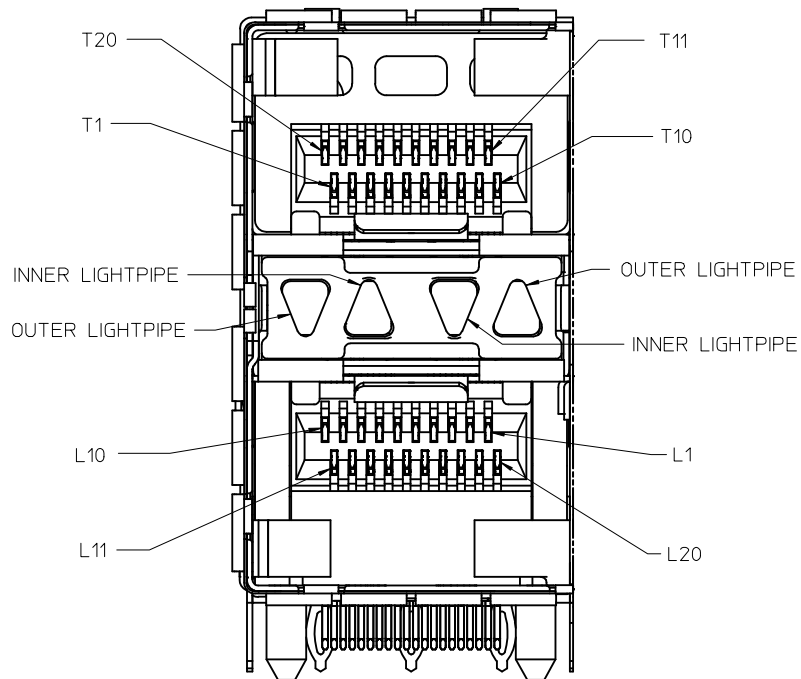
WITH OUTER LIGHTPIPPES



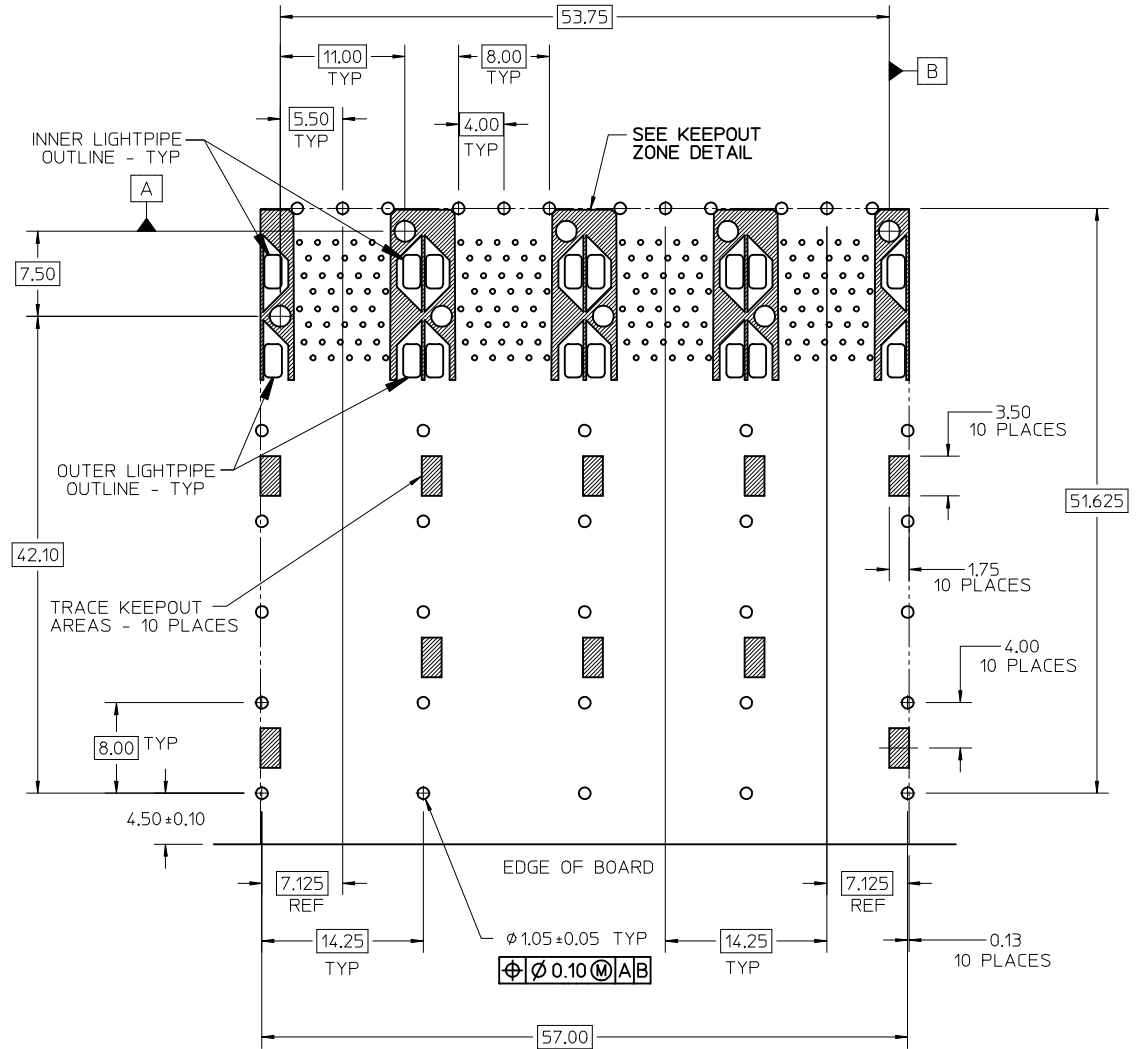
SEE SHEET 1 EC NO: UCP2015-2383 DRWN:BBARKER 2014/12/09 CHKD:TIBARRA 2014/12/09 APPR:SMILLER 2015/03/17	QUALITY SYMBOLS ▽=0 ▽=0 ▽=0	GENERAL TOLERANCES (UNLESS SPECIFIED)		DIMENSION STYLE MM ONLY		SCALE 3:1	DESIGN UNITS METRIC	THIRD ANGLE PROJECTION			
		4 PLACES ± --- ± ---	3 PLACES ± --- ± ---	2 PLACES ± 0.13 ± ---	1 PLACE ± 0.25 ± ---	0 PLACE ± ±	DRAWN BY BBARKER	DATE 2014/12/09	TITLE STACKED SFP+ 2X4 ASS'Y W/ METAL EMI GASKET AND LIGHTPIPPES, ENHANCED EMI		
		ANGULAR ± 5 °					CHECKED BY SMILLER	DATE 2015/03/17			
		DRAFT WHERE APPLICABLE MUST REMAIN WITHIN DIMENSIONS					APPROVED BY SMILLER		MATERIAL NO. SEE TABLE		



CIRCUIT NUMBERING
COMPONENT SIDE OF BOARD
SCALE 6:1



DETAIL A
SCALE 6:1
CIRCUIT NUMBERING
AND LIGHTPIPE
IDENTIFICATION

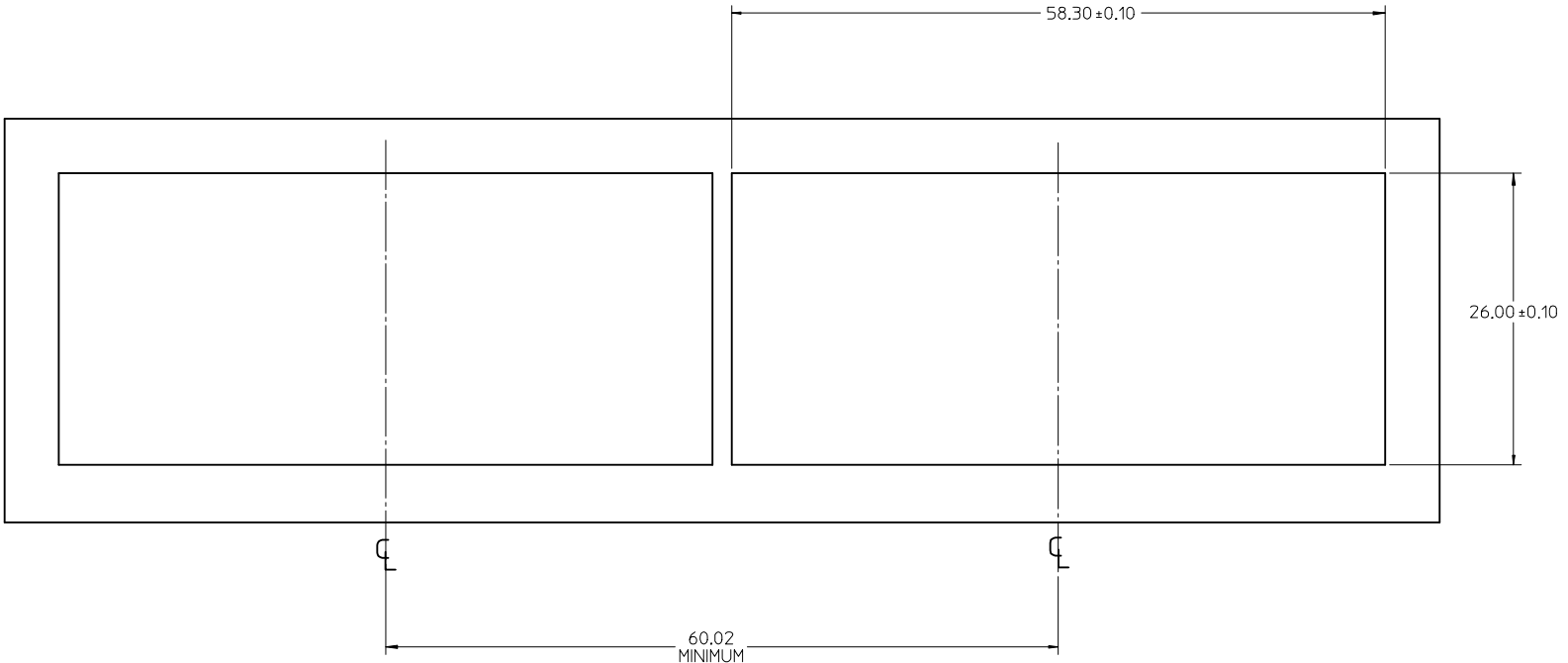


RECOMMENDED PCB LAYOUT - COMPONENT SIDE
RECOMMENDED PCB THICKNESS - 2.36 MM (.093 INCH)

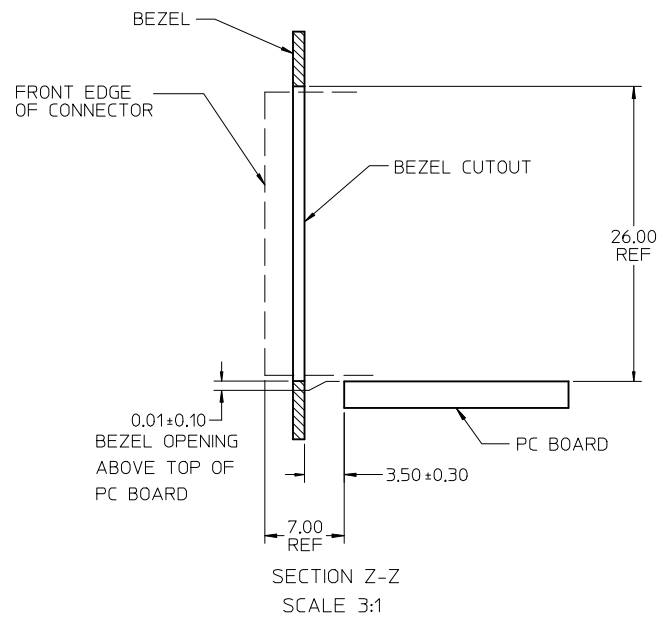
THE ENTIRE AREA OF THE CONNECTOR FOOTPRINT
TO BE CONSIDERED THE KEEPOUT AREA FOR COMPONENTS
(OTHER THAN THE LIGHTPIPE LED'S)
THIS AREA IS INDICATED BY THE DASHED LINE

SEE SHEET 1 EC NO: UCP2015-2383 DRWN:BBARKER 2014/12/09 CHKD:TIBARRA 2014/12/09 APPR:SMILLER 2015/03/17	QUALITY SYMBOLS	GENERAL TOLERANCES (UNLESS SPECIFIED)	DIMENSION STYLE MM ONLY	SCALE 3:1	DESIGN UNITS METRIC	THIRD ANGLE PROJECTION
	▽=0	mm INCH	DRAWN BY DATE BBARKER 2014/12/09	TITLE STACKED SFP+ 2X4 ASS'Y W/ METAL EMI GASKET AND LIGHTPIPES, ENHANCED EMI	DOCUMENT NO. RSD-76046-0003	SHEET NO. 3 OF 5
	▽=0	4 PLACES ± --- ± --- 3 PLACES ± --- ± --- 2 PLACES ± 0.13 ± --- 1 PLACE ± 0.25 ± --- 0 PLACE ± ±	CHECKED BY DATE	APPROVED BY DATE SMILLER 2015/03/17		
	▽=0	ANGULAR ± 5 °	MATERIAL NO.		SIZE C	
REV A	DESCRIPTION	DRAFT WHERE APPLICABLE MUST REMAIN WITHIN DIMENSIONS	SEE TABLE	THIS DRAWING CONTAINS INFORMATION THAT IS PROPRIETARY TO MOLEX INCORPORATED AND SHOULD NOT BE USED WITHOUT WRITTEN PERMISSION		

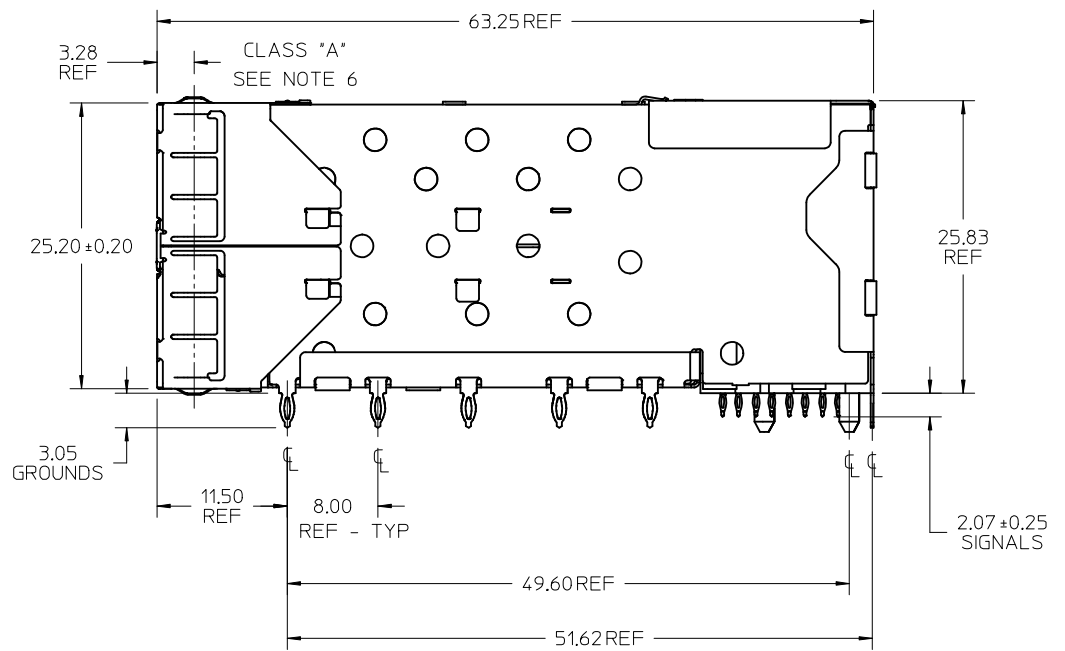
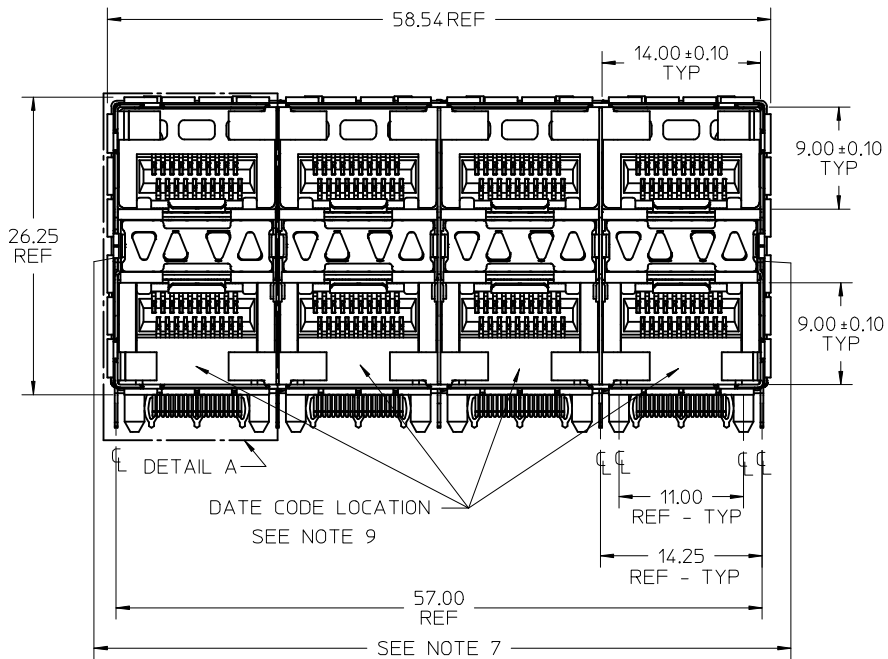
13 12 11 10 9 8 7 6 5 4 3 2 1



BEZEL CUTOUT CENTER SPACING DETAIL
BEZEL THICKNESS 0.8-2.6



SEE SHEET 1 EC NO: UCP2015-2383 DRWN:BBARKER 2014/12/09 CHKD:TIBARRA 2014/12/09 APPR:SMILLER 2015/03/17	QUALITY SYMBOLS	GENERAL TOLERANCES (UNLESS SPECIFIED)	DIMENSION STYLE	SCALE	DESIGN UNITS	THIRD ANGLE PROJECTION
	▽=0	mm INCH	MM ONLY	3:1	METRIC	
	▽=0	4 PLACES ± --- ± ---	DRAWN BY DATE			TITLE STACKED SFP+ 2X4 ASS'Y W/ METAL EMI GASKET AND LIGHTPIPES, ENHANCED EMI
	▽=0	3 PLACES ± --- ± ---	BBARKER 2014/12/09	CHECKED BY DATE		
	2 PLACES ± 0.13 ± ---	APPROVED BY DATE			molex DOCUMENT NO. RSD-76046-0003	
	1 PLACE ± 0.25 ± ---	SMILLER 2015/03/17				
	0 PLACE ± ±	ANGULAR ± 5 °				SHEET NO. 5 OF 5
		DRAFT WHERE APPLICABLE MUST REMAIN WITHIN DIMENSIONS	SIZE	THIS DRAWING CONTAINS INFORMATION THAT IS PROPRIETARY TO MOLEX INCORPORATED AND SHOULD NOT BE USED WITHOUT WRITTEN PERMISSION		



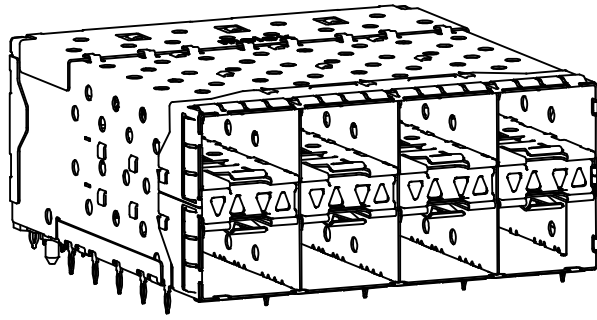
NOTES

- MATERIAL:**
 CAGE: NICKEL SILVER, THICKNESS: 0.25mm
 CONNECTOR HOUSING: GLASS FILLED LIQUID CRYSTAL POLYMER (LCP), UL 94V-0, COLOR: BLACK
 OVERMOLD TERMINAL HOUSING: GLASS FILLED LIQUID CRYSTAL POLYMER (LCP), UL 94V-0, COLOR: BLACK
 TERMINALS: TIN BRASS
 EMI GASKET: PHOS-BRONZE
 LIGHTPIPE HOUSING: ZINC
 LIGHTPIPES: POLYCARBONATE, COLOR: CLEAR
- FINISHES:**
 TERMINALS: CONTACT AREA - 0.76 MICROMETERS MINIMUM HARD GOLD OVER 1.27 MICROMETERS MINIMUM NICKEL.
 COMPLIANT TAIL - 0.76 TO 1.52 MICROMETERS MATTE TIN OVER 0.76 MICROMETERS MINIMUM NICKEL.
 LIGHTPIPE HOUSING: 80 MICROMETERS MINIMUM NICKEL OVER COPPER
 EMI GASKET: 2.54 MICROMETERS MINIMUM NICKEL OVERALL
- REFER TO PS-75310-001 PRODUCT SPEC FOR ALL ELECTRICAL, MECHANICAL, AND ENVIRONMENTAL SPECIFICATIONS.
- LIGHTPIPE PAD LAYOUT IS FOR 0805 LOW-PROFILE LED PACKAGE, FOR OTHER RECOMMENDED LAYOUTS REFER TO MOLEX'S REPORT TS-75310-001.
- REFER TO PK-75450-001 FOR ALL PACKAGING SPECIFICATIONS.
- THE SURFACES CONFORM TO THE MOLEX COSMETIC SPEC PS-45499-002. ALL EXTERIOR SURFACES TO BE CLASS "B" SURFACE EXCEPT THE UNDERSIDE (CLASS "C") OF THE CAGE (SIDE TOWARD THE PCB) AND AS OTHERWISE NOTED.
- THE OVERALL CAGE WIDTH AT THE VERTICAL CENTER OF THE FRONT EDGE WILL FALL WITHIN THIS DIMENSION: 57.80+/-0.30 MM. THIS PORTION OF THE CAGE WILL FLEX INWARD AS THE CAGE IS BEING INSERTED INTO THE BEZEL OPENING.
- REFER TO AS-76090-001 FOR HIGH SPEED ROUTING RECOMMENDATIONS.
- DATE CODE LOCATION IS SHOWN ABOVE.
 DATE CODE FORMAT: DDDY MX A1
 DDD = DAY OF THE YEAR
 Y = YEAR
 MX = MOLEX
 A = ALPHA CHARACTER - INDICATES MANUFACTURING LINE
 1 = NUMERIC CHARACTER - INDICATES PRODUCTION SHIFT

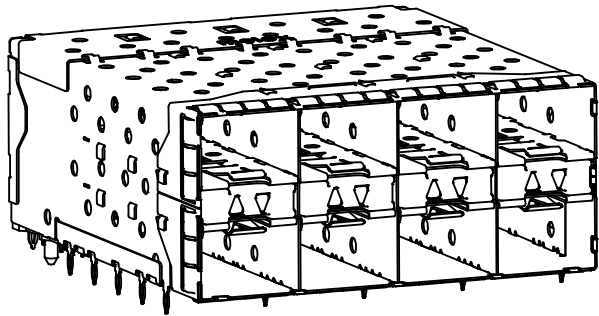
ENHANCED EMI VERSION

PART NUMBER	LIGHTPIPE CONFIGURATION (SEE VIEWS ON SHEET 2)
760467001	4 LIGHT PORTS
760467002	INNER 2 PORTS
760467006	OUTER 2 PORTS - SPECIAL CONFIGURATION

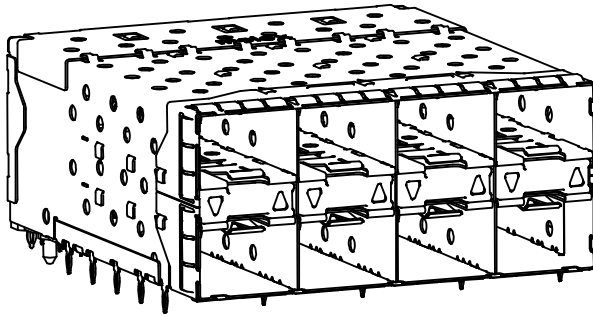
REV. NOTES &2 FOR EMI EC NO: UCP2016-3489 DRW:VANG01 2016/03/07 CHKD:BBARKER 2016/03/07 APPR:SMILLER 2016/03/25	QUALITY SYMBOLS ▽=0 ▽=0 ▽=0	GENERAL TOLERANCES (UNLESS SPECIFIED)		DIMENSION STYLE MM ONLY		SCALE 3:1	DESIGN UNITS METRIC	THIRD ANGLE PROJECTION		
		mm	INCH	DRAWN BY	DATE	STACKED SFP+ 2X4 ASS'Y W/ METAL EMI GASKET AND LIGHTPIPES, ENHANCED EMI 				
		4 PLACES ± ---	± ---	TIBARRA	2012/08/09					
		3 PLACES ± ---	± ---	CHECKED BY	DATE					
2 PLACES ± 0.13	± ---	BBARKER	2012/08/15							
1 PLACE ± 0.25	± ---	APPROVED BY	DATE	MATERIAL NO. SEE TABLE		DOCUMENT NO. SD-76046-0003		SHEET NO. 1 OF 5		
0 PLACE ±	±	SMILLER	2012/08/28	DRAFT WHERE APPLICABLE MUST REMAIN WITHIN DIMENSIONS						



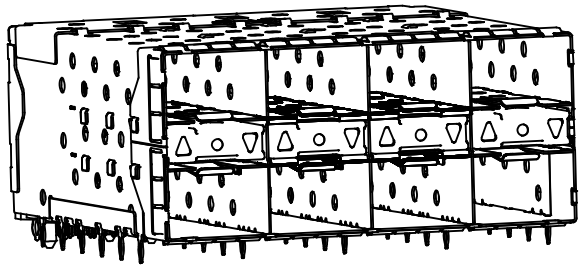
760467001
WITH INNER AND OUTER LIGHTPIPPES



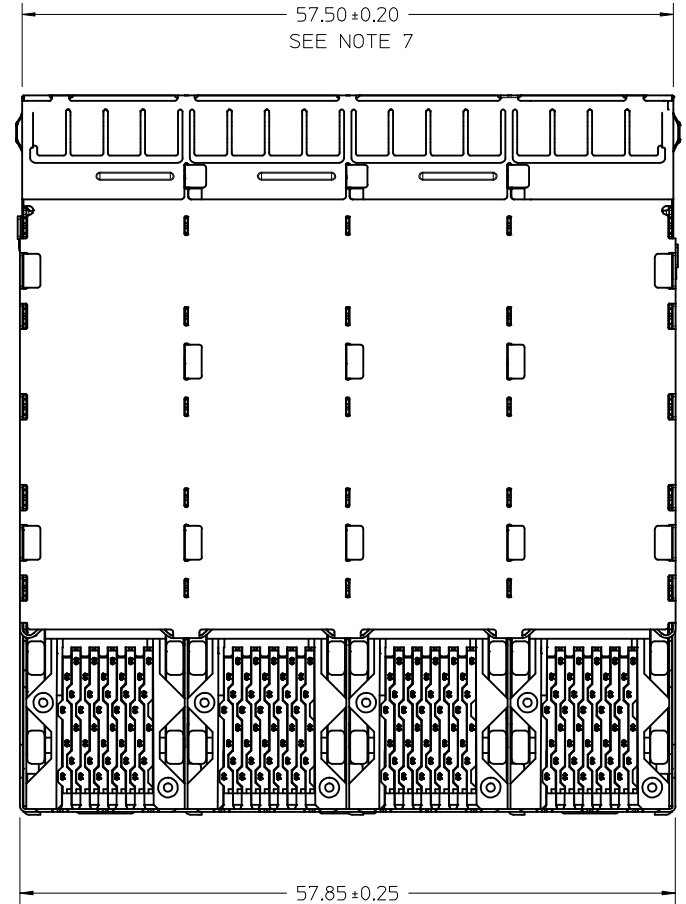
76046-7002
WITH INNER LIGHTPIPPES



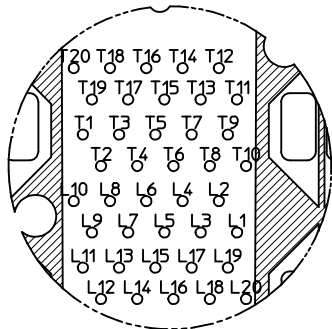
WITH OUTER LIGHTPIPPES



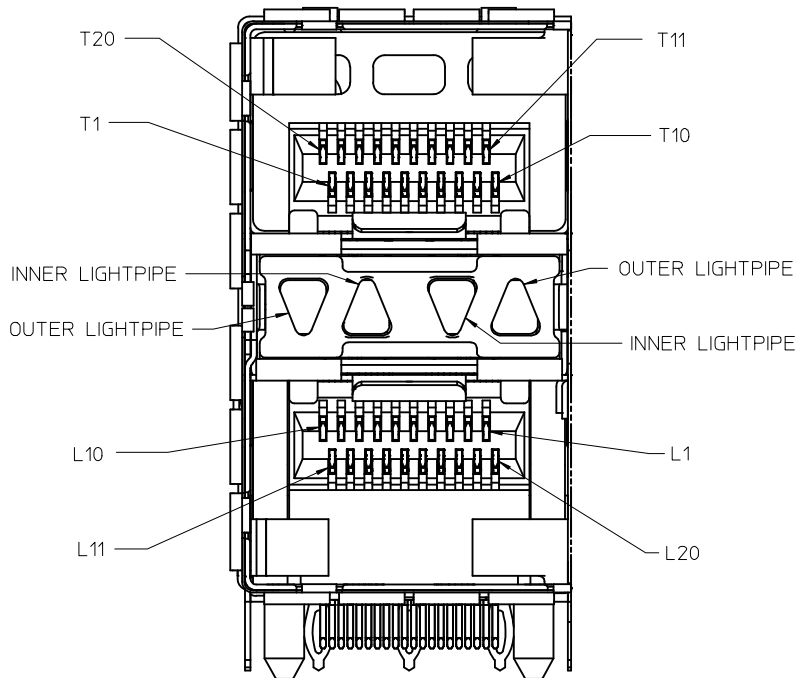
760467006
WITH OUTER LIGHTPIPPES
SPECIAL CONFIGURATION



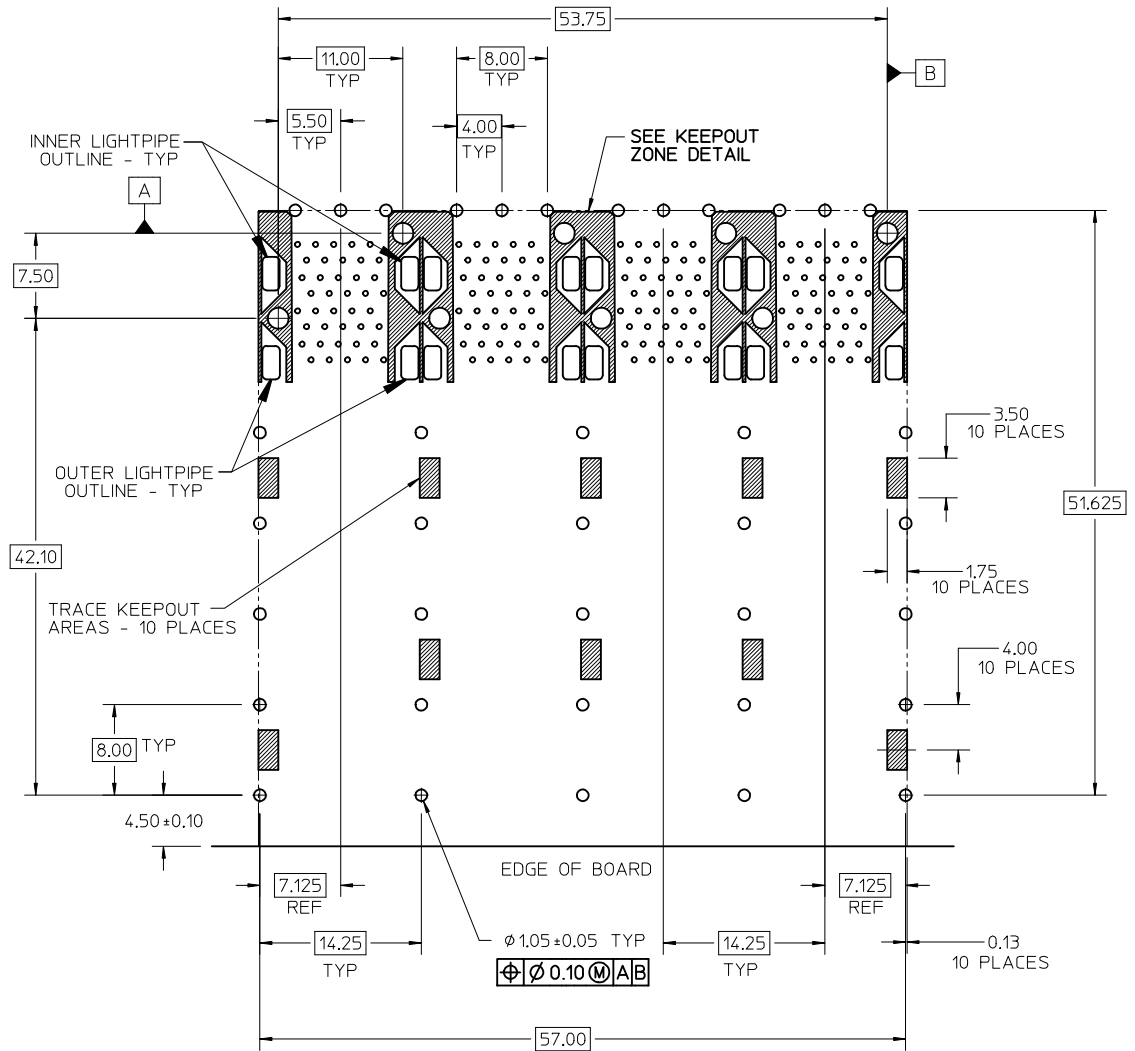
SEE SHEET 1 EC NO: UCP2016-3489 DRWNS:YANG01 2016/03/07 CHKD:BBARKER 2016/03/07 APPR:SMILLER 2016/03/25	QUALITY SYMBOLS = 0 = 0 = 0	GENERAL TOLERANCES (UNLESS SPECIFIED)		DIMENSION STYLE MM ONLY	SCALE 3:1	DESIGN UNITS METRIC	THIRD ANGLE PROJECTION		
		4 PLACES ± --- ± --- 3 PLACES ± --- ± --- 2 PLACES ± 0.13 ± --- 1 PLACE ± 0.25 ± --- 0 PLACE ± ±	mm INCH ± --- ± --- ± --- ± --- ± --- ± --- ± ±	DRAWN BY TIBARRA	DATE 2012/08/09	TITLE STACKED SFP+ 2X4 ASS'Y W/ METAL EMI GASKET AND LIGHTPIPPES, ENHANCED EMI			
DRAFT WHERE APPLICABLE MUST REMAIN WITHIN DIMENSIONS		ANGULAR ± 5 °		APPROVED BY SMILLER		DATE 2012/08/28		MATERIAL NO. SEE TABLE	
				DOCUMENT NO. SD-76046-0003		SHEET NO. 2 OF 5		THIS DRAWING CONTAINS INFORMATION THAT IS PROPRIETARY TO MOLEX INCORPORATED AND SHOULD NOT BE USED WITHOUT WRITTEN PERMISSION	



CIRCUIT NUMBERING
COMPONENT SIDE OF BOARD
SCALE 6:1



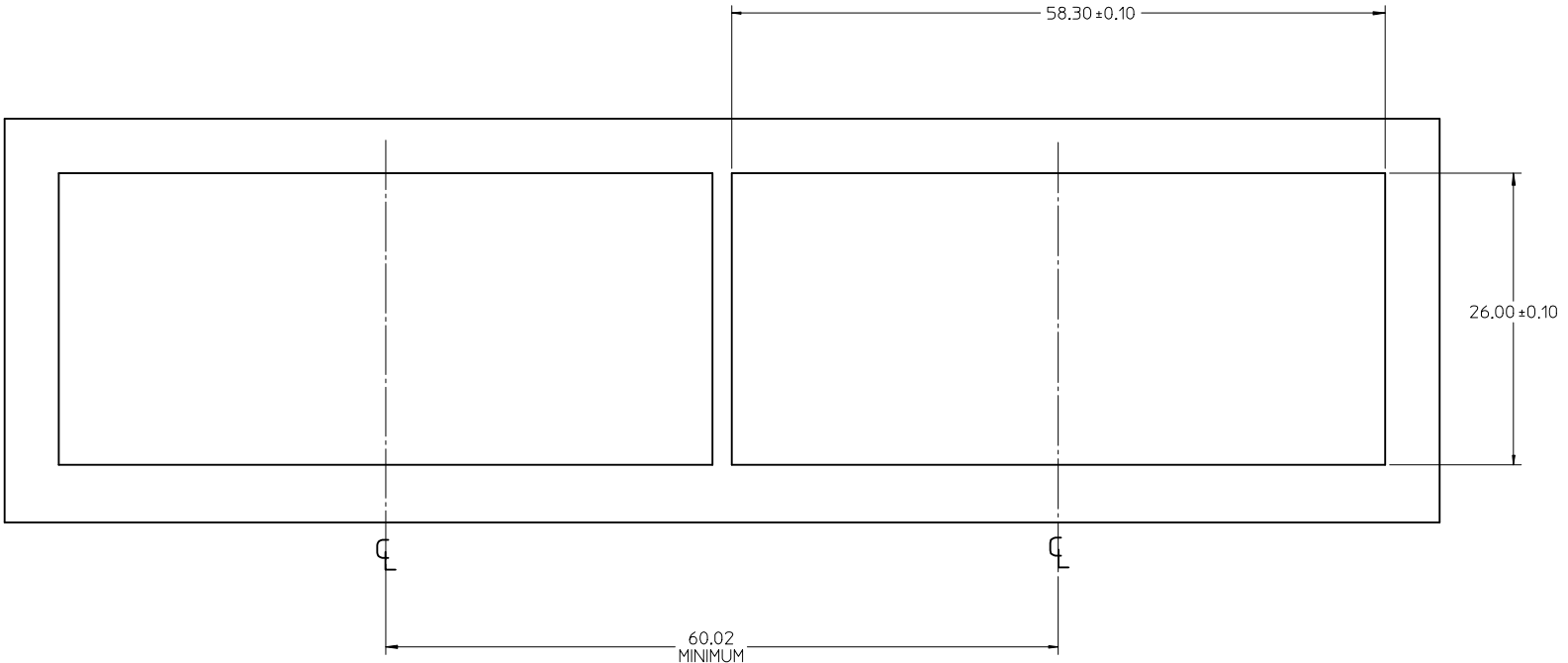
DETAIL A
SCALE 6:1
CIRCUIT NUMBERING
AND LIGHTPIPE
IDENTIFICATION



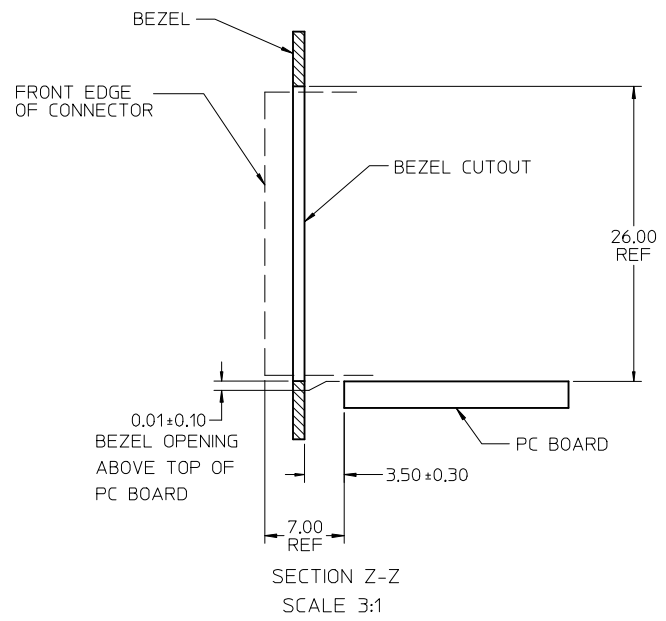
RECOMMENDED PCB LAYOUT - COMPONENT SIDE
RECOMMENDED PCB THICKNESS - 2.36 MM (.093 INCH)

THE ENTIRE AREA OF THE CONNECTOR FOOTPRINT
TO BE CONSIDERED THE KEEP OUT AREA FOR COMPONENTS
(OTHER THAN THE LIGHTPIPE LED'S)
THIS AREA IS INDICATED BY THE DASHED LINE

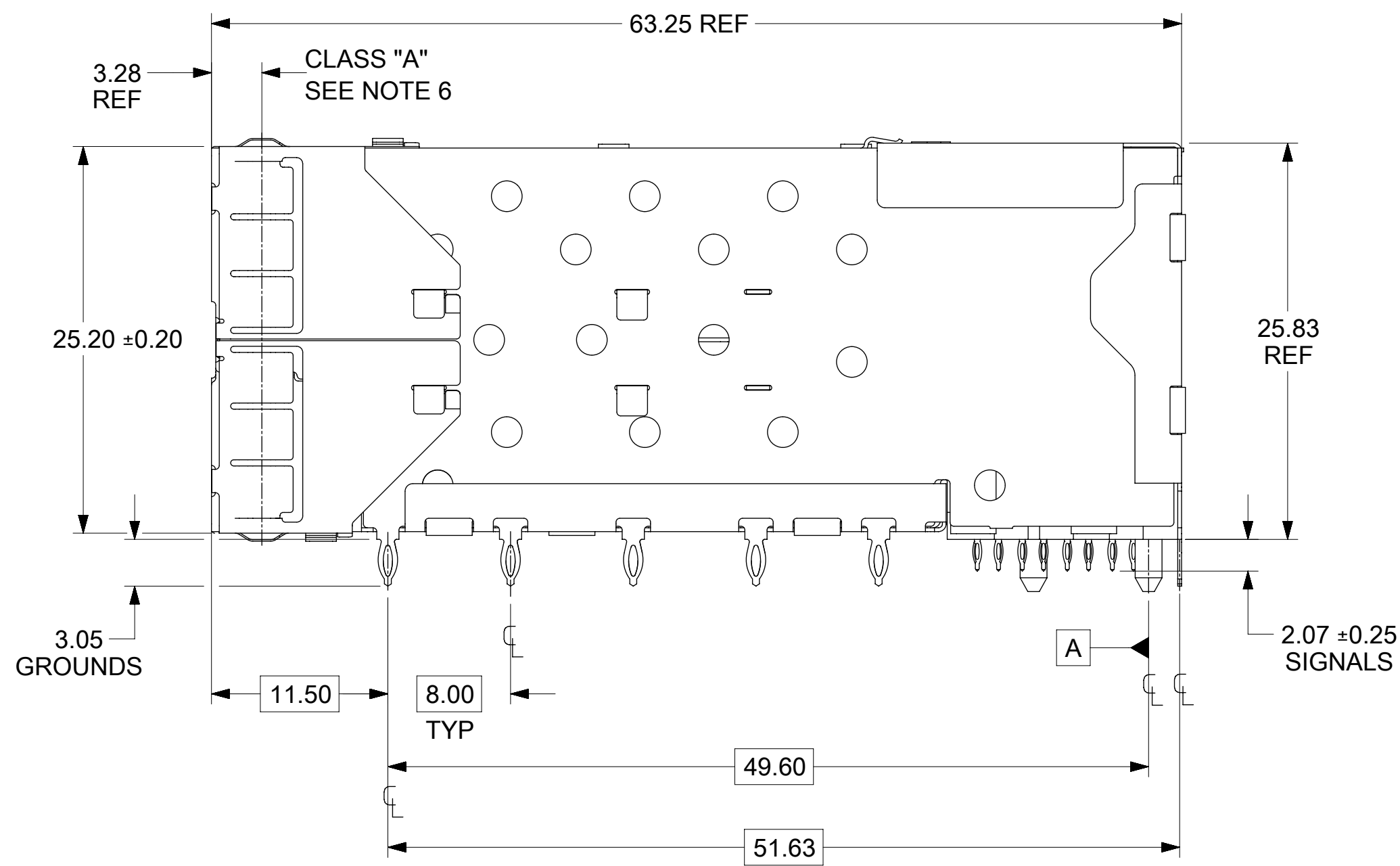
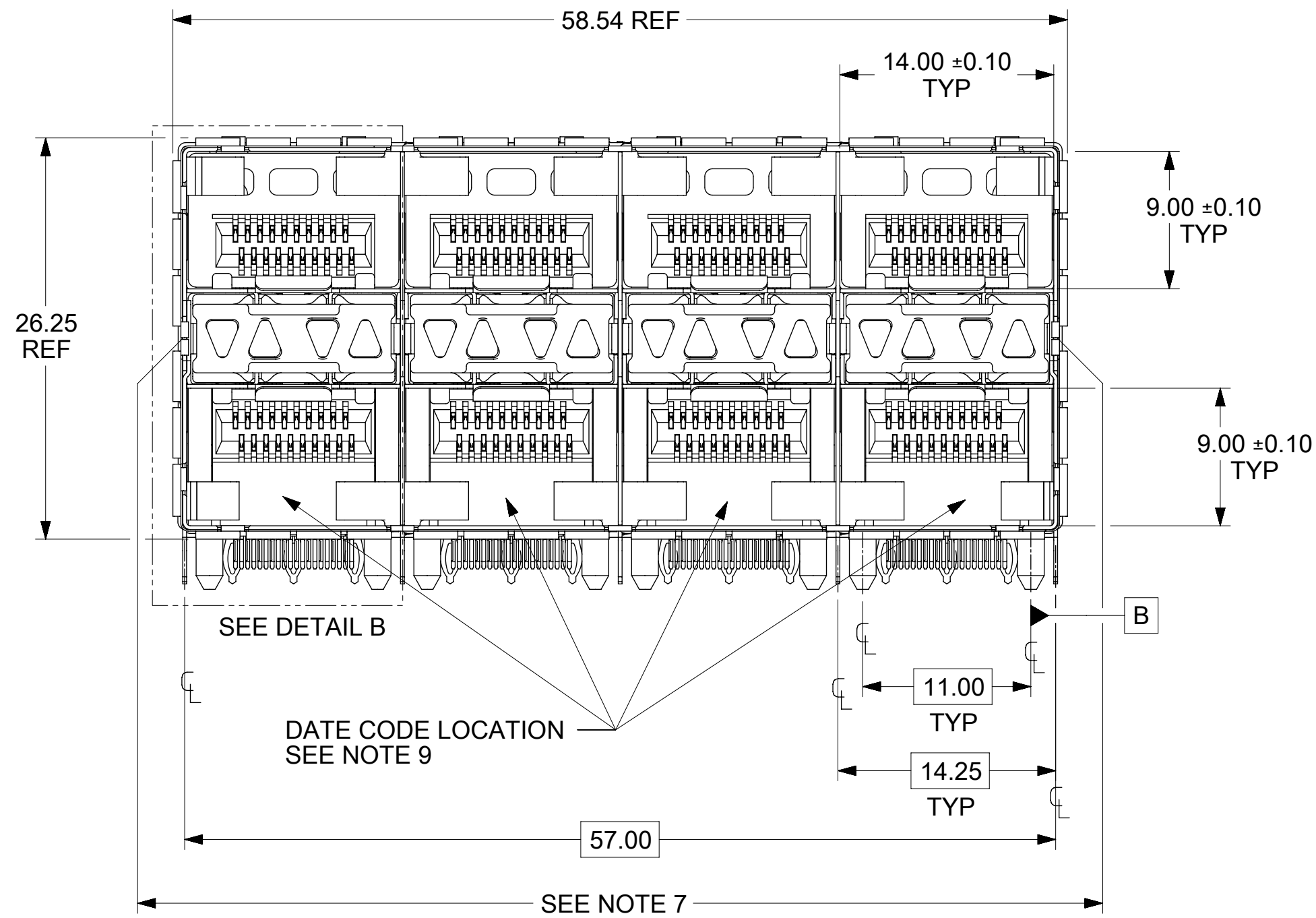
SEE SHEET 1 EC NO: UCP2016-3489 DRWNSVANG01 2016/03/07 CHKD:BBARKER 2016/03/07 APPR:SMILLER 2016/03/25	DESCRIPTION	QUALITY SYMBOLS	GENERAL TOLERANCES (UNLESS SPECIFIED)	DIMENSION STYLE	SCALE	DESIGN UNITS	THIRD ANGLE PROJECTION
		▽=0	mm INCH	MM ONLY	3:1	METRIC	☉
		▽=0	4 PLACES ± --- ± ---	DRAWN BY DATE	TIBARRA 2012/08/09	TITLE	STACKED SFP+ 2X4 ASS'Y W/ METAL EMI GASKET AND LIGHTPIPES, ENHANCED EMI
		▽=0	3 PLACES ± --- ± ---	CHECKED BY DATE	BBARKER 2012/08/15	DOCUMENT NO. SD-76046-0003	SHEET NO. 3 OF 5
▽=0	2 PLACES ± 0.13 ± ---	APPROVED BY DATE	SMILLER 2012/08/28				
REV		ANGULAR ± 5 °	DRAFT WHERE APPLICABLE MUST REMAIN WITHIN DIMENSIONS	MATERIAL NO.	THIS DRAWING CONTAINS INFORMATION THAT IS PROPRIETARY TO MOLEX INCORPORATED AND SHOULD NOT BE USED WITHOUT WRITTEN PERMISSION		



BEZEL CUTOUT CENTER SPACING DETAIL
BEZEL THICKNESS 0.8-2.6



SEE SHEET 1 EC NO: UCP2016-3489 2016/03/07 IDRW:SVANG01 2016/03/07 CHKD:BBARKER 2016/03/25 APPR:SMILLER	DESCRIPTION REV =0 =0 =0	GENERAL TOLERANCES (UNLESS SPECIFIED)		DIMENSION STYLE MM ONLY		SCALE 3:1	DESIGN UNITS METRIC	THIRD ANGLE PROJECTION		
		4 PLACES	±	---	±	---	DRAWN BY	DATE	TITLE STACKED SFP+ 2X4 ASS'Y W/ METAL EMI GASKET AND LIGHTPIPES, ENHANCED EMI molex DOCUMENT NO. SD-76046-0003 SHEET NO. 5 OF 5	
		3 PLACES	±	---	±	---	CHECKED BY	DATE		
		2 PLACES	±	0.13	±	---	BBARKER	2012/08/15		
1 PLACE	±	0.25	±	---	SMILLER	2012/08/28				
0 PLACE	±		±							
		ANGULAR ± 5 °		DRAFT WHERE APPLICABLE MUST REMAIN WITHIN DIMENSIONS		MATERIAL NO.		SEE TABLE		

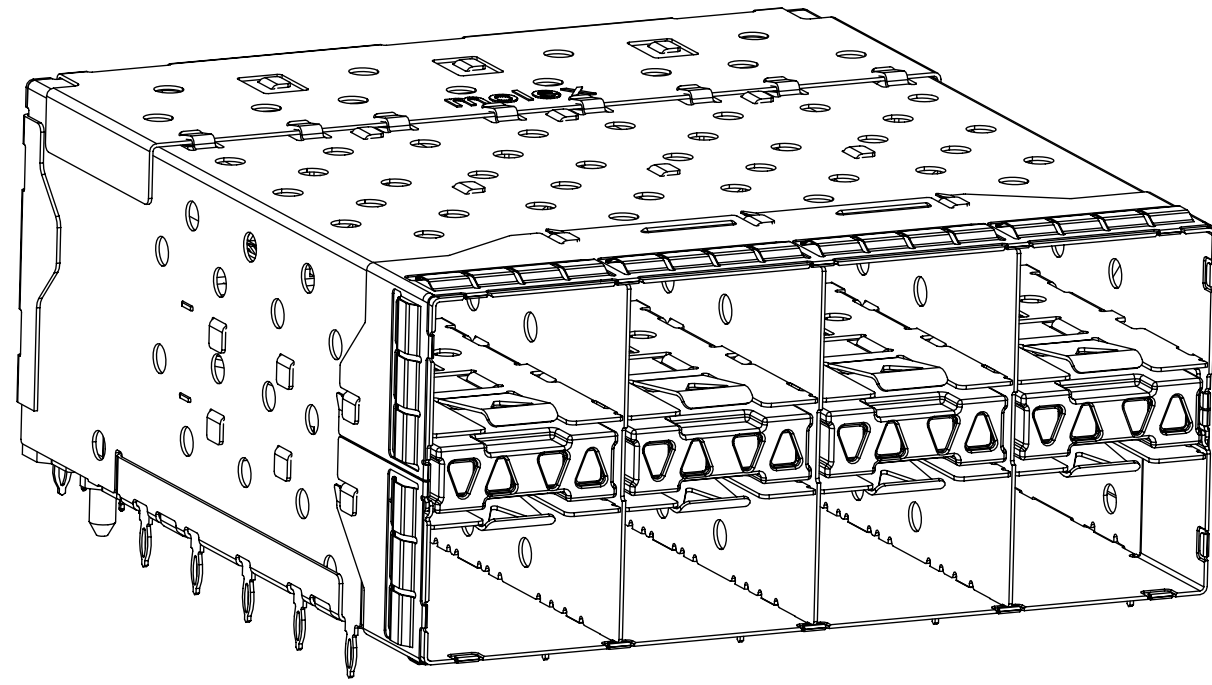


NOTES

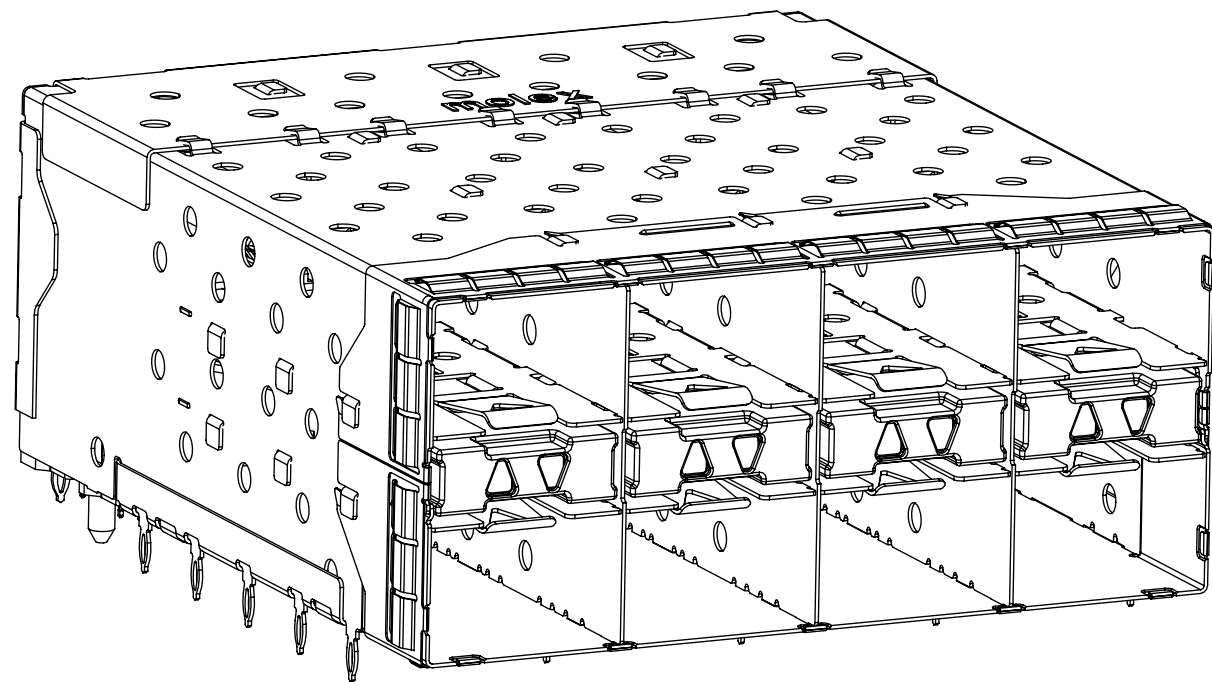
1. MATERIAL:
 CAGE: NICKEL SILVER, THICKNESS: 0.25mm
 CONNECTOR HOUSING: GLASS FILLED LIQUID CRYSTAL POLYMER (LCP), UL 94V-0, COLOR: BLACK
 OVERMOLD TERMINAL HOUSING: GLASS FILLED LIQUID CRYSTAL POLYMER (LCP), UL 94V-0, COLOR: BLACK
 TERMINALS: TIN BRASS
 EMI GASKET: PHOS-BRONZE
 LIGHTPIPE HOUSING: ZINC
 LIGHTPIPES: POLYCARBONATE, COLOR: CLEAR
2. FINISHES:
 TERMINALS: CONTACT AREA: 0.76 MICROMETERS MINIMUM HARD GOLD OVER 1.27 MICROMETERS MINIMUM NICKEL.
 COMPLIANT TAIL - MATTE TIN/LEAD OPTION: 0.76 TO 1.52 MICROMETERS 90/10 MATTE TIN-LEAD OVER 0.76 MICROMETERS MINIMUM NICKEL.
 COMPLIANT TAIL - MATTE TIN OPTION: 0.76 TO 1.52 MICROMETERS MATTE TIN OVER 0.76 MICROMETERS MINIMUM NICKEL.
 LIGHTPIPE HOUSING: 80 MICROMETERS MINIMUM NICKEL OVER COPPER
 EMI GASKET: 2.54 MICROMETERS MINIMUM NICKEL OVERALL.
3. REFER TO PS-75310-001 PRODUCT SPEC FOR ALL ELECTRICAL, MECHANICAL, AND ENVIRONMENTAL SPECIFICATIONS.
4. LIGHTPIPE PAD LAYOUT IS FOR 0805 LOW-PROFILE LED PACKAGE, FOR OTHER RECOMMENDED LAYOUTS REFER TO MOLEX'S REPORT TS-75310-001.
5. REFER TO PK-75450-001 FOR ALL PACKAGING SPECIFICATIONS.
6. THE SURFACES CONFORM TO THE MOLEX COSMETIC SPEC PS-45499-002.
 ALL EXTERIOR SURFACES TO BE CLASS "B" SURFACE EXCEPT THE UNDERSIDE (CLASS "C") OF THE CAGE (SIDE TOWARD THE PCB) AND AS OTHERWISE NOTED.
7. THE OVERALL CAGE WIDTH AT THE VERTICAL CENTER OF THE FRONT EDGE WILL FALL WITHIN THIS DIMENSION: 57.80+/-0.30 MM. THIS PORTION OF THE CAGE WILL FLEX INWARD AS THE CAGE IS BEING INSERTED INTO THE BEZEL OPENING.
8. REFER TO AS-76090-001 FOR HIGH SPEED ROUTING RECOMMENDATIONS.
9. DATE CODE LOCATION IS SHOWN ABOVE.
 DATE CODE FORMAT: DDDY MX A1
 DDD = DAY OF THE YEAR
 Y = YEAR
 MX = MOLEX
 A = ALPHA CHARACTER - INDICATES MANUFACTURING LINE
 1 = NUMERIC CHARACTER - INDICATES PRODUCTION SHIFT

PART NUMBER	DESCRIPTION	VIEW	COMPLIANT TAIL PLATING
760460001	4 LIGHT PORTS	SEE PG 2	MATTE TIN / LEAD
760460002	INNER 2 PORTS	SEE PG 2	MATTE TIN / LEAD
760460003	OUTER 2 PORTS	SEE PG 2	MATTE TIN / LEAD
760465001	4 LIGHT PORTS	SEE PG 2	MATTE TIN
760465002	INNER 2 PORTS	SEE PG 2	MATTE TIN
760465003	OUTER 2 PORTS	SEE PG 2	MATTE TIN
760465013	OUTER 2 PORTS	SEE PG 2	MATTE TIN

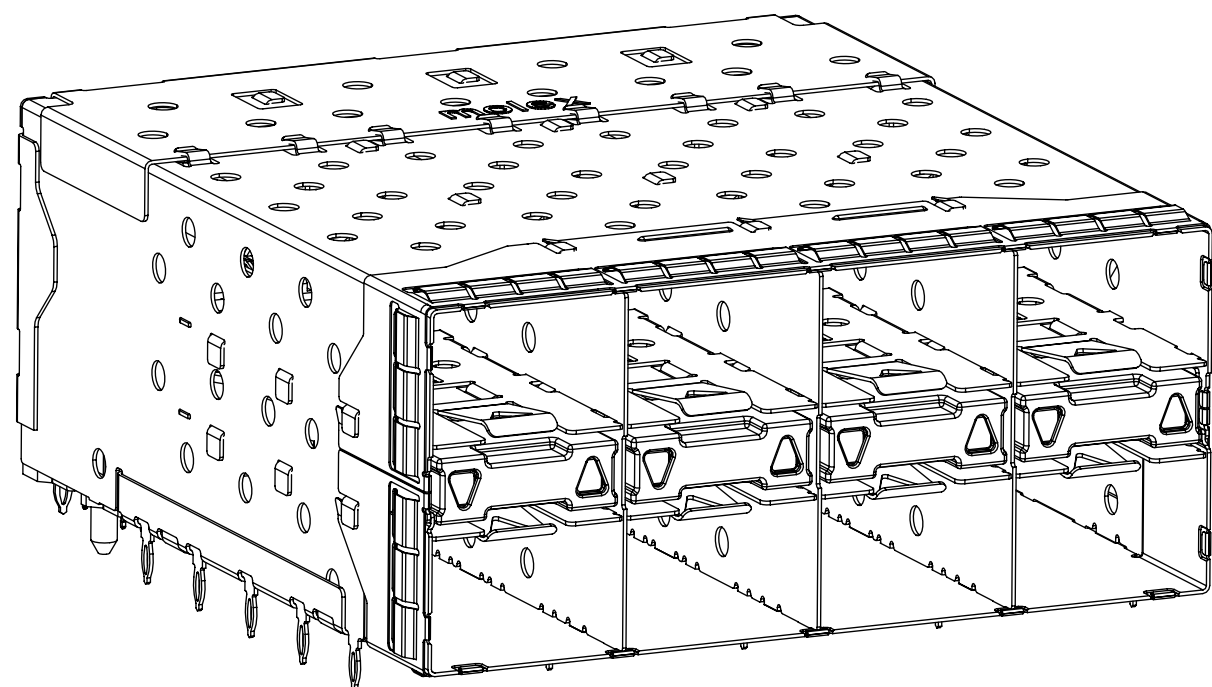
SYMBOLS		THIS DRAWING CONTAINS INFORMATION THAT IS PROPRIETARY TO MOLEX ELECTRONIC TECHNOLOGIES, LLC AND SHOULD NOT BE USED WITHOUT WRITTEN PERMISSION	
▽ = 0	mm	SCALE	3:1
▽ = 0	GENERAL TOLERANCES (UNLESS SPECIFIED)		
▽ = 0	ANGULAR TOL ± 5.0°	CURRENT REV DESC: MIGRATED TO NX	
▽ = 0	4 PLACES ±	EC NO: 685692	
▽ = 0	3 PLACES ±	DRWN: NMUTHARAYAPP 2018/10/08	
▽ = 0	2 PLACES ± 0.13	CHK'D: JKACHLIC 2021/11/18	
▽ = 0	1 PLACE ± 0.25	APPR: JKACHLIC 2021/11/18	
▽ = 0	0 PLACES ±	INITIAL REVISION:	
▽ = 0	DRAFT WHERE APPLICABLE MUST REMAIN WITHIN DIMENSIONS	DRWN: MSANDBER 2006/10/18	APPR: RNELSON 2007/01/25
▽ = 0	THIRD ANGLE PROJECTION	DRAWING	SERIES
		C-SIZE	76046
DOCUMENT STATUS		DOCUMENT NUMBER	DOC TYPE DOC PART REVISION
P1	RELEASE DATE 2021/11/18 08:35:14	SD-76046-001	PSD 001 F1
MATERIAL NUMBER		CUSTOMER	SHEET NUMBER
SEE TABLE		GENERAL MARKET	1 OF 6



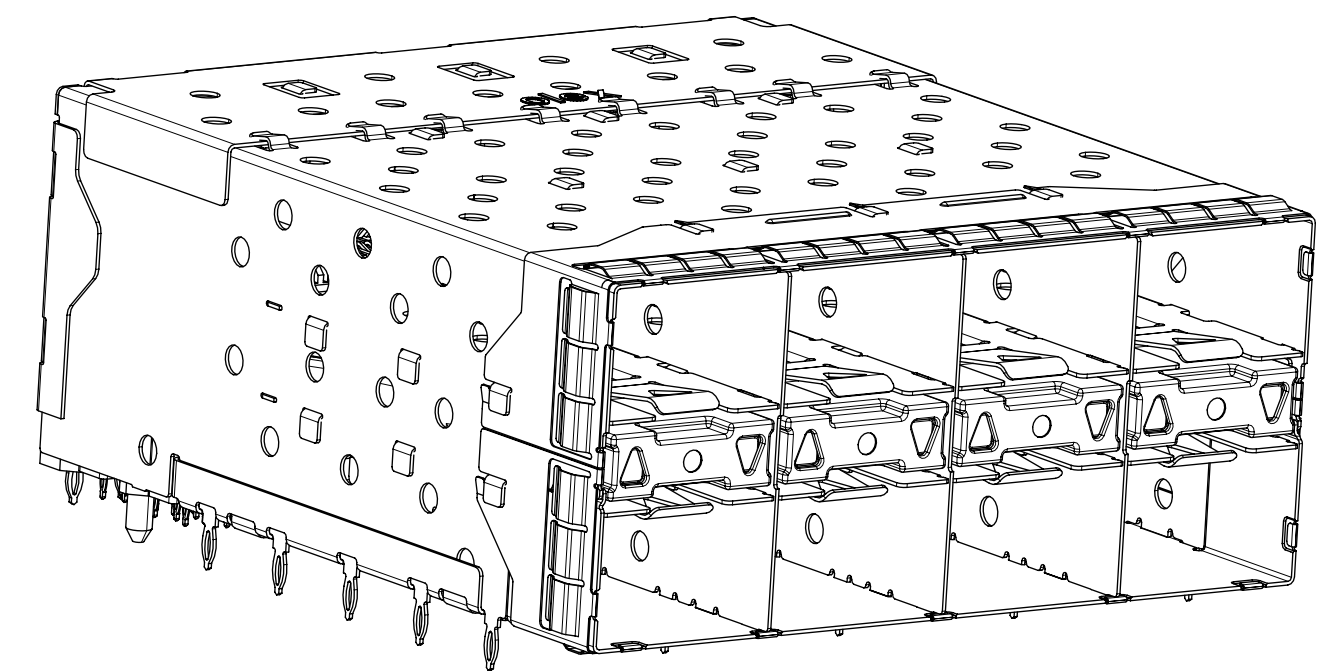
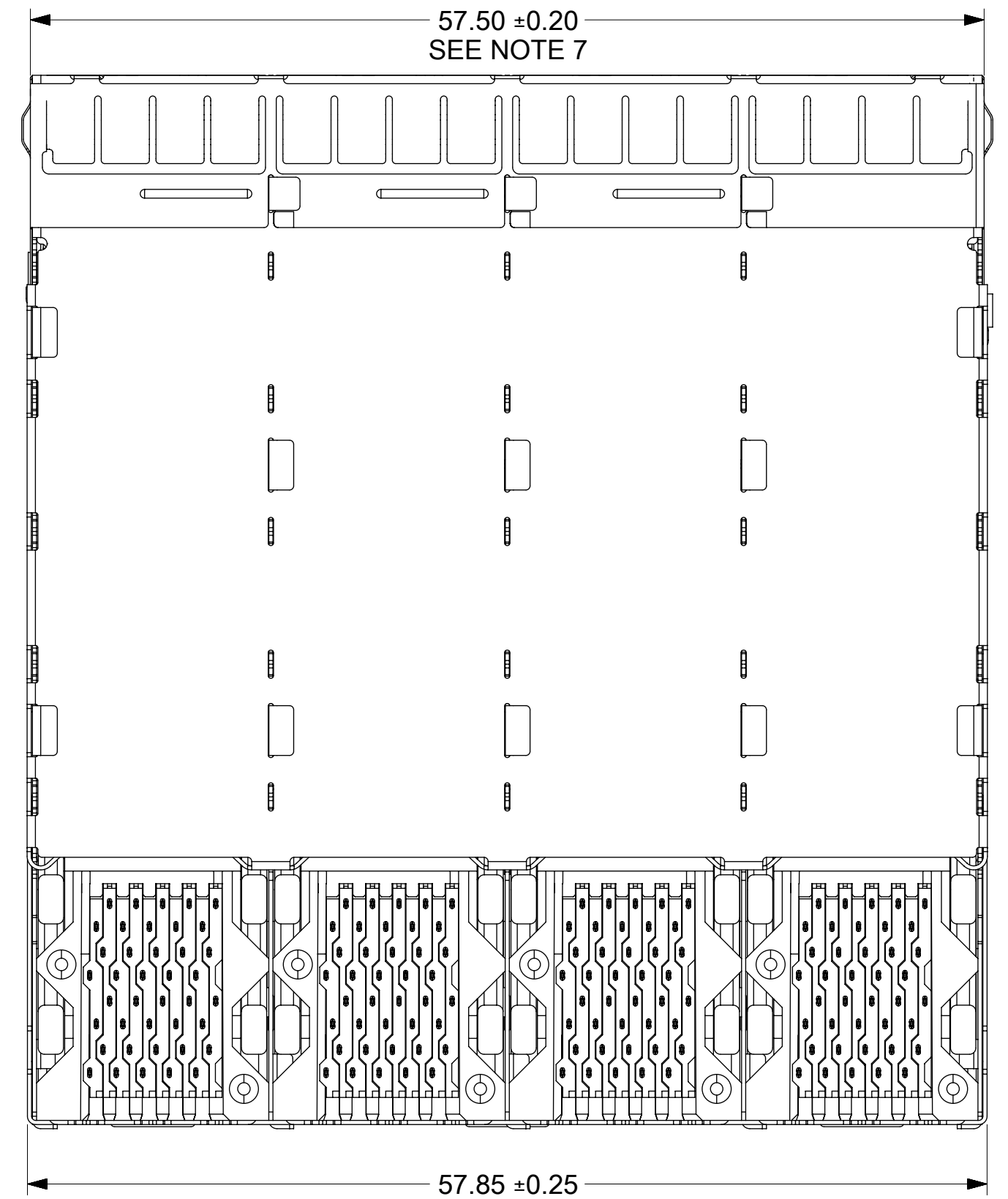
760460001 AND 760465001
WITH INNER AND OUTER LIGHTPIPES



760460002 AND 760465002
WITH INNER LIGHTPIPES

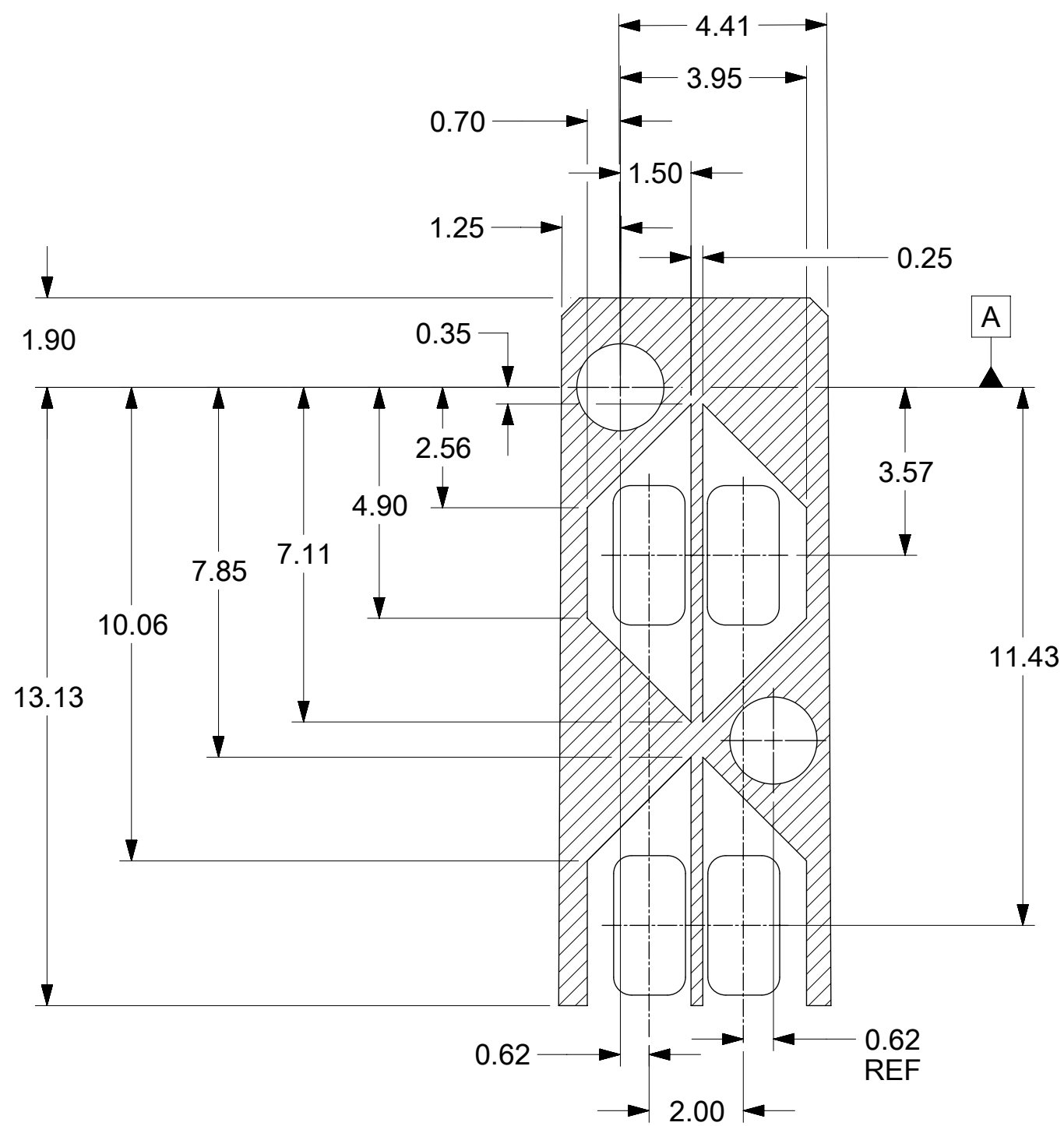


760460003 AND 760465003
WITH OUTER LIGHTPIPES



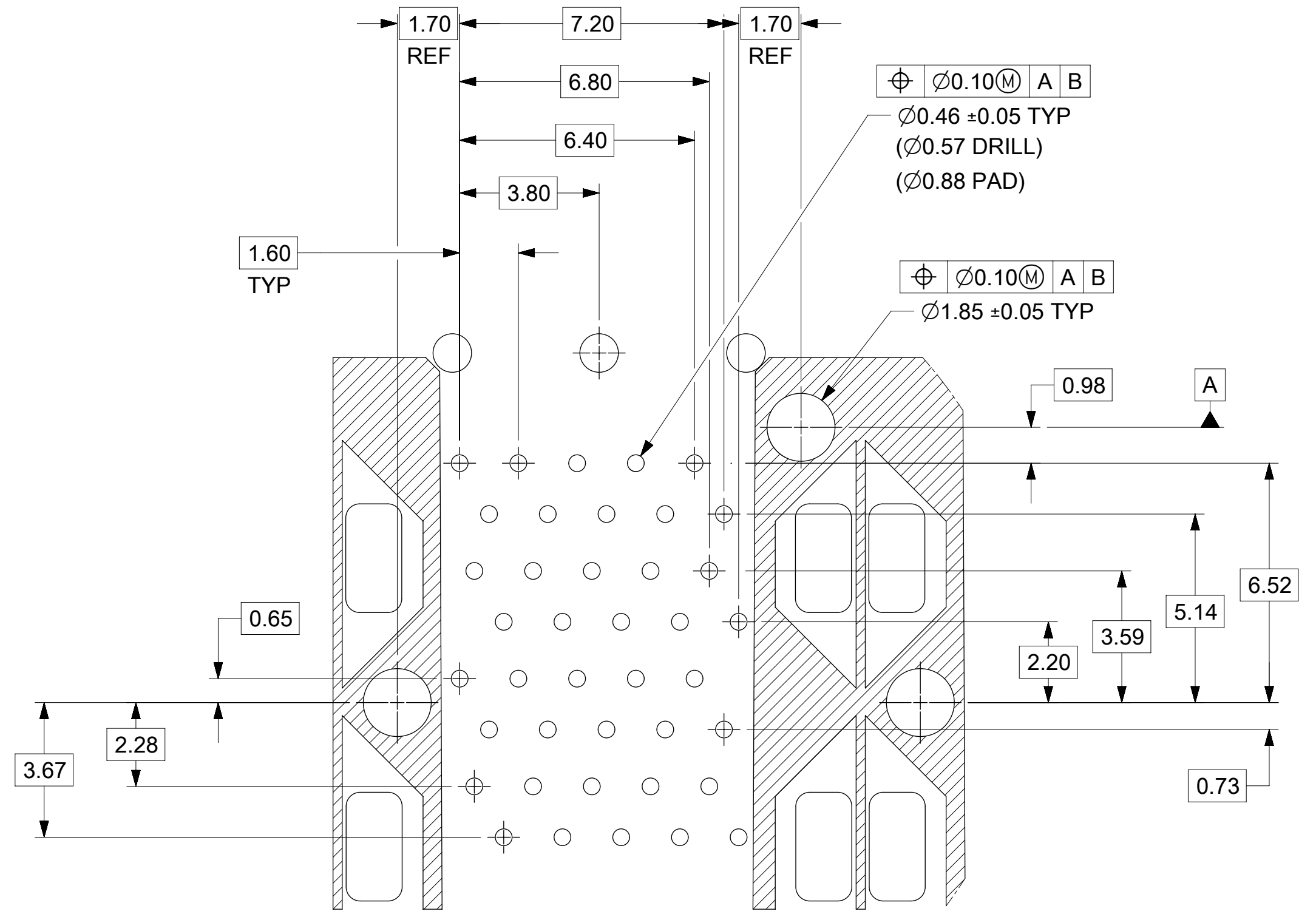
760465013
WITH OUTER LIGHTPIPES
(DIFFERENT LIGHT PIPE HOUSING)

SYMBOLS										THIS DRAWING CONTAINS INFORMATION THAT IS PROPRIETARY TO MOLEX ELECTRONIC TECHNOLOGIES, LLC AND SHOULD NOT BE USED WITHOUT WRITTEN PERMISSION									
DIMENSION UNITS					SCALE					CURRENT REV DESC: MIGRATED TO NX									
mm					3:1					molex STACKED SFP+ 2X4 ASS'Y WITH METAL EMI GASKET AND LIGHTPIPES PRODUCT CUSTOMER DRAWING									
GENERAL TOLERANCES (UNLESS SPECIFIED)																			
ANGULAR TOL ± 5.0°										DOCUMENT NUMBER					DOC TYPE DOC PART REVISION				
4 PLACES ±										SD-76046-001					PSD 001 F1				
3 PLACES ±										MATERIAL NUMBER					CUSTOMER				
2 PLACES ± 0.13										SEE TABLE					GENERAL MARKET				
1 PLACE ± 0.25										THIRD ANGLE PROJECTION					DRAWING				
0 PLACES ±										C-SIZE					SERIES				
DRAFT WHERE APPLICABLE MUST REMAIN WITHIN DIMENSIONS										76046					SHEET NUMBER				
										2 OF 6									



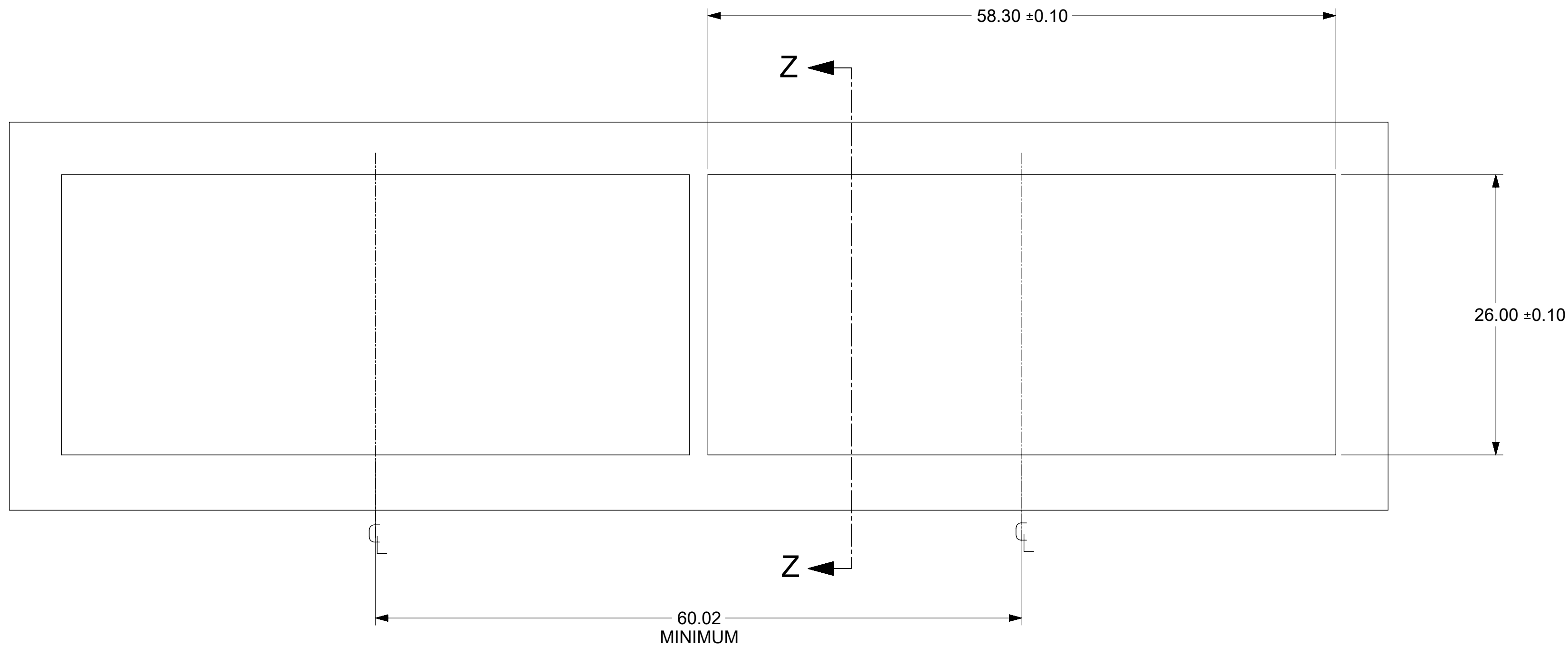
KEEPOUT ZONE DETAIL - LIGHTPIPE LOCATION AND OTHER ZONES
SCALE 8:1

THE HATCHED AREA IN THIS VIEW INDICATES ZONES THAT ARE OCCUPIED BY THE PLASTIC HOUSING THAT SEATS AGAINST THE PCB AND BY THE VERTICAL METAL CAGE WALL THAT STOPS JUST SHORT OF THE PCB

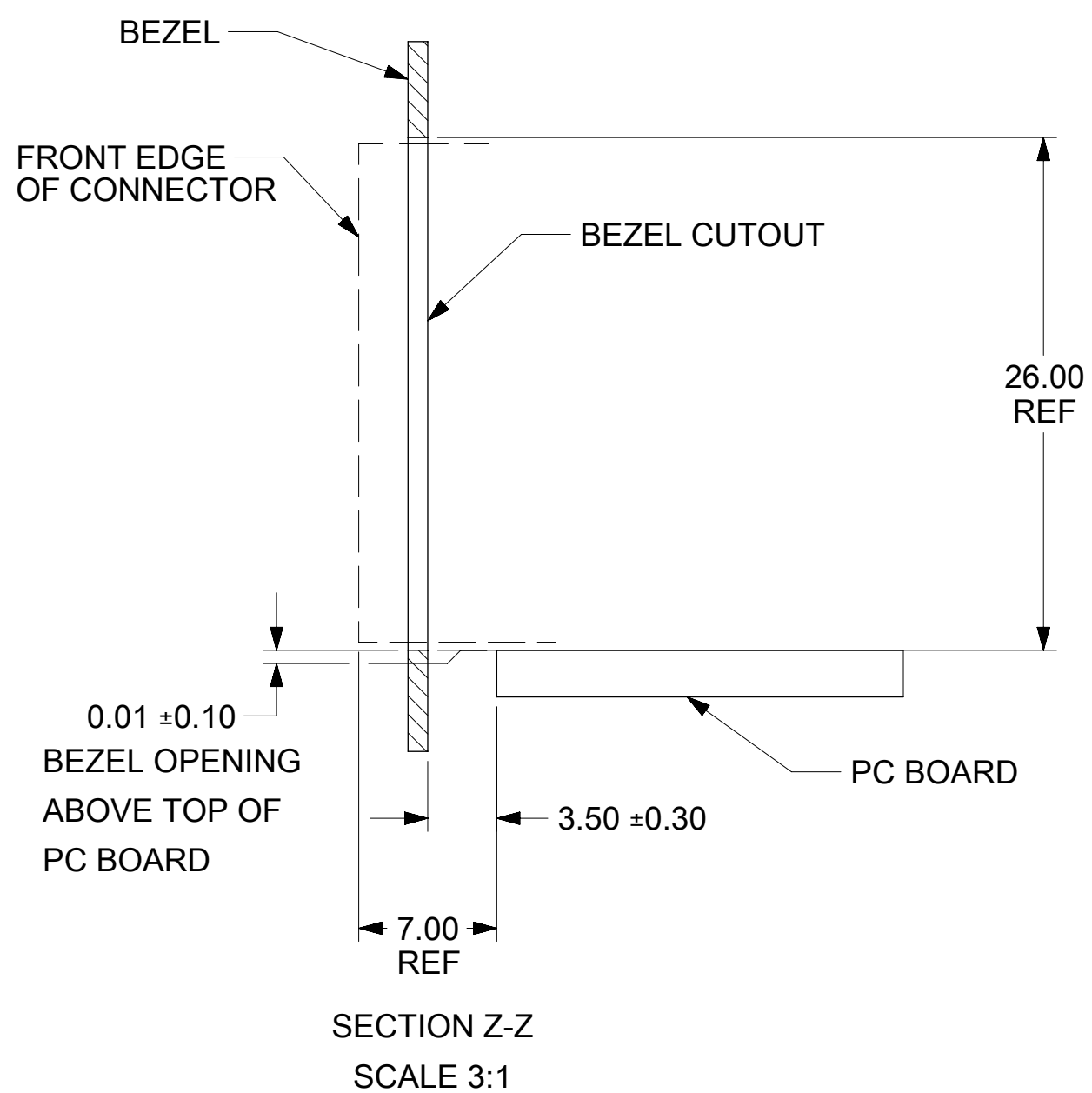


DETAIL A
SCALE 8:1

THIS DRAWING CONTAINS INFORMATION THAT IS PROPRIETARY TO MOLEX ELECTRONIC TECHNOLOGIES, LLC AND SHOULD NOT BE USED WITHOUT WRITTEN PERMISSION													
SYMBOLS		DIMENSION UNITS		SCALE		CURRENT REV DESC: MIGRATED TO NX							
▽ = 0 ▽ = 0 ▽ = 0 ▽ = 0 ▽ = 0 ▽ = 0 ▽ = 0 ▽ = 0 ▽ = 0 ▽ = 0		mm		8:1									
		GENERAL TOLERANCES (UNLESS SPECIFIED)		ANGULAR TOL ± 5.0°		EC NO: 685692 DRWN: NMUTHARAYAPP 2018/10/08 CHK'D: JKACHLIC 2021/11/18 APPR: JKACHLIC 2021/11/18				STACKED SFP+ 2X4 ASS'Y WITH METAL EMI GASKET AND LIGHTPIPES			
		4 PLACES ±		3 PLACES ±		2 PLACES ± 0.13		1 PLACE ± 0.25		0 PLACES ±		PRODUCT CUSTOMER DRAWING	
		DRAFT WHERE APPLICABLE MUST REMAIN WITHIN DIMENSIONS		THIRD ANGLE PROJECTION		DRAWING		SERIES		DOCUMENT NUMBER		DOC TYPE DOC PART REVISION	
						C-SIZE		76046		SD-76046-001		PSD 001 F1	
										MATERIAL NUMBER		CUSTOMER	
										SEE TABLE		GENERAL MARKET	
										SHEET NUMBER		4 OF 6	



BEZEL CUTOUT CENTER SPACING DETAIL
BEZEL THICKNESS 0.8-2.6



THIS DRAWING CONTAINS INFORMATION THAT IS PROPRIETARY TO MOLEX ELECTRONIC TECHNOLOGIES, LLC AND SHOULD NOT BE USED WITHOUT WRITTEN PERMISSION									
SYMBOLS		DIMENSION UNITS		SCALE		CURRENT REV DESC: MIGRATED TO NX			
▽ = 0	mm	3:1		molex STACKED SFP+ 2X4 ASS'Y WITH METAL EMI GASKET AND LIGHTPIPES PRODUCT CUSTOMER DRAWING					
▽ = 0	GENERAL TOLERANCES (UNLESS SPECIFIED)								
▽ = 0	ANGULAR TOL ± 5.0°								
▽ = 0	4 PLACES ±								
▽ = 0	3 PLACES ±			EC NO: 685692		DRWN: NMUTHARAYAPP 2018/10/08		2021/11/18	
▽ = 0	2 PLACES ± 0.13			CHK'D: JKACHLIC		APPR: JKACHLIC		2021/11/18	
▽ = 0	1 PLACE ± 0.25			INITIAL REVISION:					
▽ = 0	0 PLACES ±			DRWN: MSANDBER		2006/10/18		2021/11/18	
▽ = 0	DRAFT WHERE APPLICABLE MUST REMAIN WITHIN DIMENSIONS			THIRD ANGLE PROJECTION		DRAWING		SERIES	
▽ = 0	SEE TABLE		GENERAL MARKET		C-SIZE		76046		5 OF 6

REVISION HISTORY

DATE	REV	DESCRIPTION
2021/10/21	F1	1. C5 ON PAGE 1: ADD NEW PN 760465013 TO REPRESENT NEW DISTRIBUTION OF OUTER LIGHTPIPE BY REPLACING LIGHTPIPE HOUSING 2. C4 ON PAGE 2: ADD ILLUSTRATION OF 760465013.

THIS DRAWING CONTAINS INFORMATION THAT IS PROPRIETARY TO MOLEX ELECTRONIC TECHNOLOGIES, LLC AND SHOULD NOT BE USED WITHOUT WRITTEN PERMISSION									
FUNCTIONAL SYMBOLS	DIMENSION UNITS	SCALE	CURRENT REV DESC: MIGRATED TO NX						
	$\frac{F}{A} = 0$	mm	1:1	<p>molex</p> <p>STACKED SFP+ 2X4 ASS'Y WITH METAL EMI GASKET AND LIGHTPIPES</p> <p>PRODUCT CUSTOMER DRAWING</p>					
DIVISIONAL SYMBOLS	GENERAL TOLERANCES (UNLESS SPECIFIED)		EC NO: 685692						
$\frac{F}{C} = 0$	ANGULAR TOL ± 5.0°		4 PLACES ±	DRWN: NMUTHARAYAPP	2018/10/08	2021/11/18	2021/11/18	2006/10/18	2007/01/25
$\frac{F}{P} = 0$	3 PLACES ±		3 PLACES ±	CHK'D: JKACHLIC	2018/10/08	2021/11/18	2021/11/18	2006/10/18	2007/01/25
2 PLACES ± 0.13			2 PLACES ±	APPR: JKACHLIC	2018/10/08	2021/11/18	2021/11/18	2006/10/18	2007/01/25
1 PLACE ± 0.25			1 PLACE ±	INITIAL REVISION:	2006/10/18		2006/10/18		2007/01/25
0 PLACES ±			0 PLACES ±	DRWN: MSANDBER	2006/10/18	2007/01/25	SD-76046-001		PSD 001 F1
DRAFT WHERE APPLICABLE MUST REMAIN WITHIN DIMENSIONS			THIRD ANGLE PROJECTION	DRAWING	SERIES	MATERIAL NUMBER	CUSTOMER	SHEET NUMBER	
				C-SIZE	76046		GENERAL MARKET	6 OF 6	

DOCUMENT STATUS	P1	RELEASE DATE	2021/11/18 08:35:14
-----------------	----	--------------	---------------------