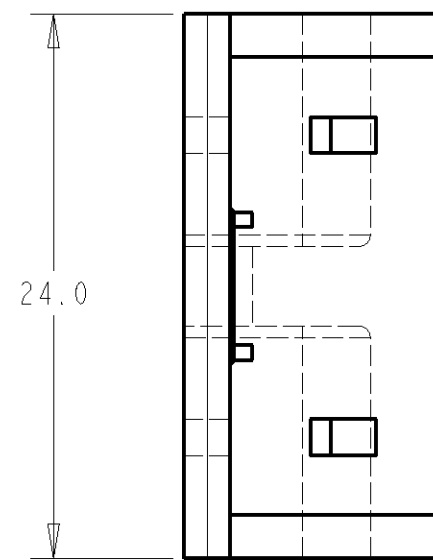
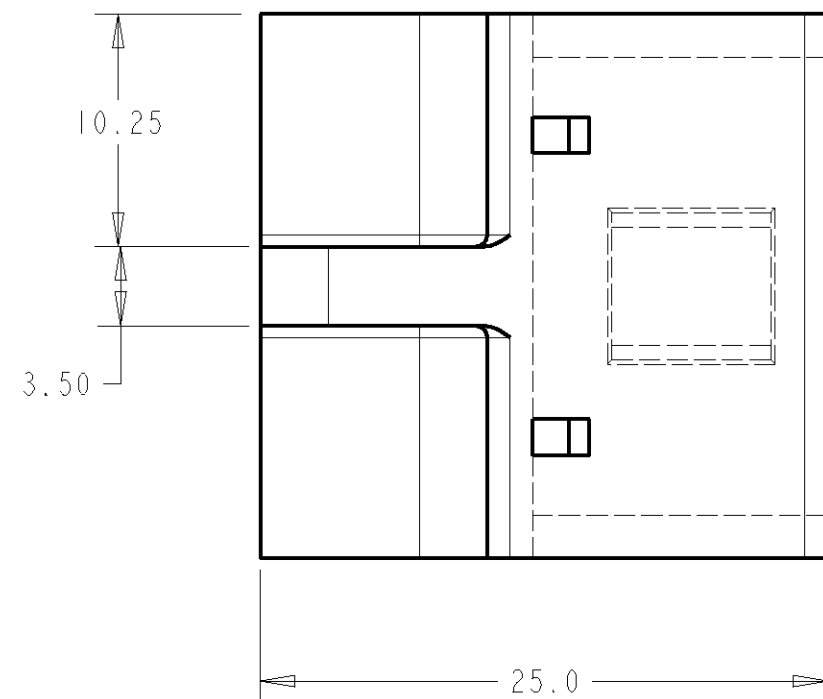
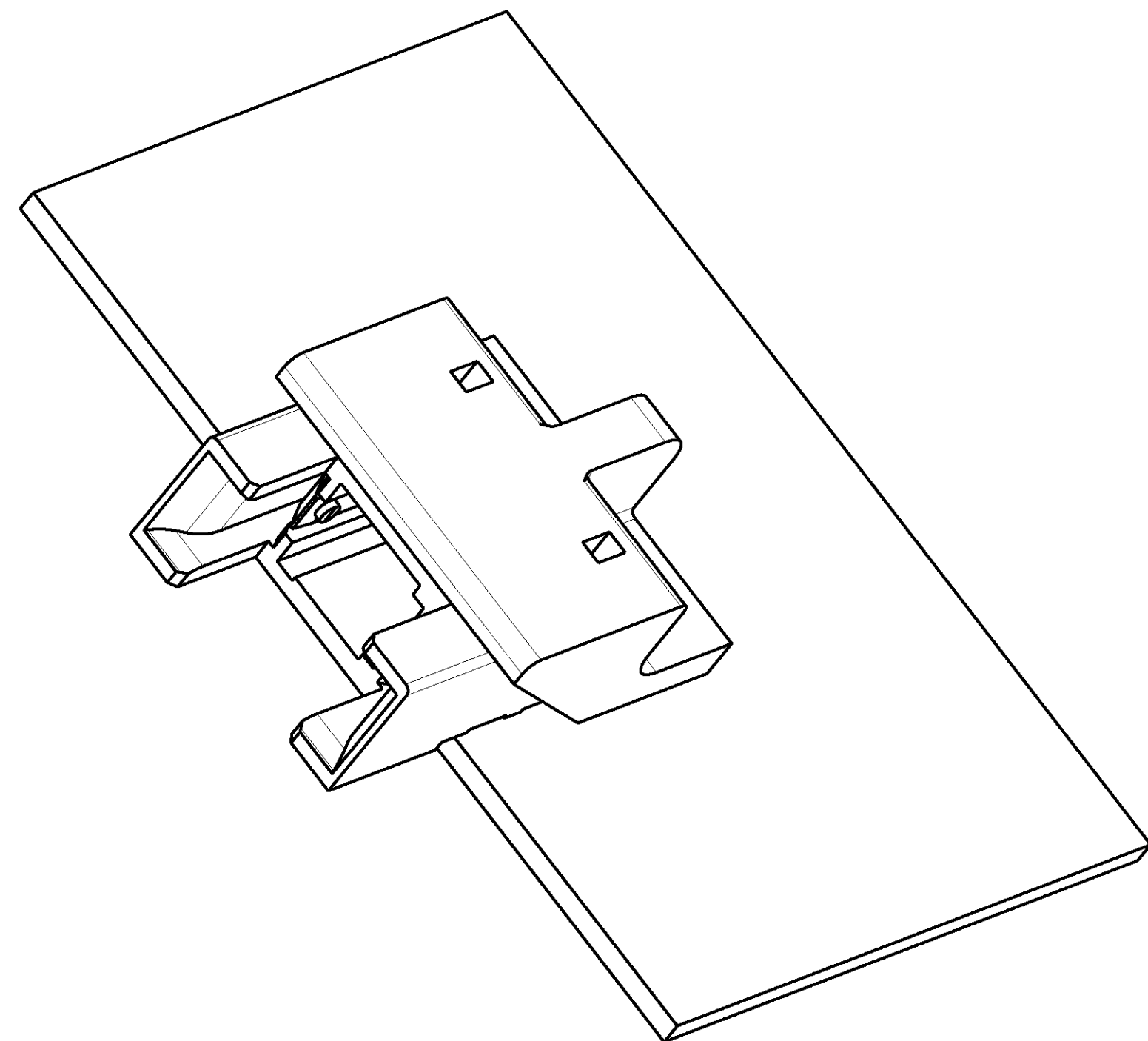


THIS DRAWING IS UNPUBLISHED. RELEASED FOR PUBLICATION .19  
 © COPYRIGHT 19 BY AMP INCORPORATED. ALL RIGHTS RESERVED.

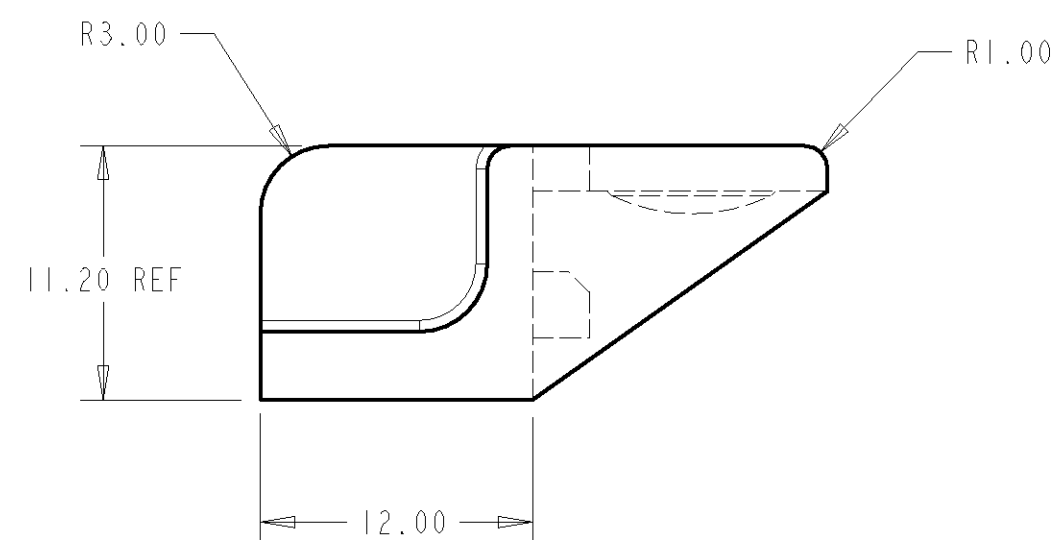
LOC	DIST	REVISIONS					
		F	LTR	DESCRIPTION	DATE	DWN	APVD
CE	16		0	DRAWN	04AUG98	JDL	LAB



△ MATERIAL: ELASTOMER  
 ARNITEL PL460S  
 FLAMABILITY RATING: UL94V-0  
 COLOR: BLACK



SCALE 3:1



1278201-1  
 PART NUMBER

<small>THIS DRAWING IS A CONTROLLED DOCUMENT FOR AMP INCORPORATED. IT IS SUBJECT TO CHANGE AND THE CONTROLLING ENGINEERING ORGANIZATION SHOULD BE CONTACTED FOR THE LATEST REVISION.</small>		DWN J. LOCONDRO 04AUG98 CHK L. BARKUS 04AUG98 APVD L. BARKUS 04AUG98	<b>AMP</b> AMP Incorporated Harrisburg, PA 17105-3608
DIMENSIONS: mm	TOLERANCES UNLESS OTHERWISE SPECIFIED: 0 PLC ± 1 PLC ±0.3 2 PLC ±0.02 3 PLC ±0.005 4 PLC ±0.0005 ANGLES ±1 FINISH -	PRODUCT SPEC - APPLICATION SPEC - WEIGHT -	NAME DUST COVER MPX DAUGHTERCARD HOUSING
MATERIAL -		SIZE A2 CAGE CODE 00779 DRAWING NO. C-1278201	RESTRICTED TO -
CUSTOMER DRAWING		SCALE 3:1	SHEET 1 OF 1 REV 0