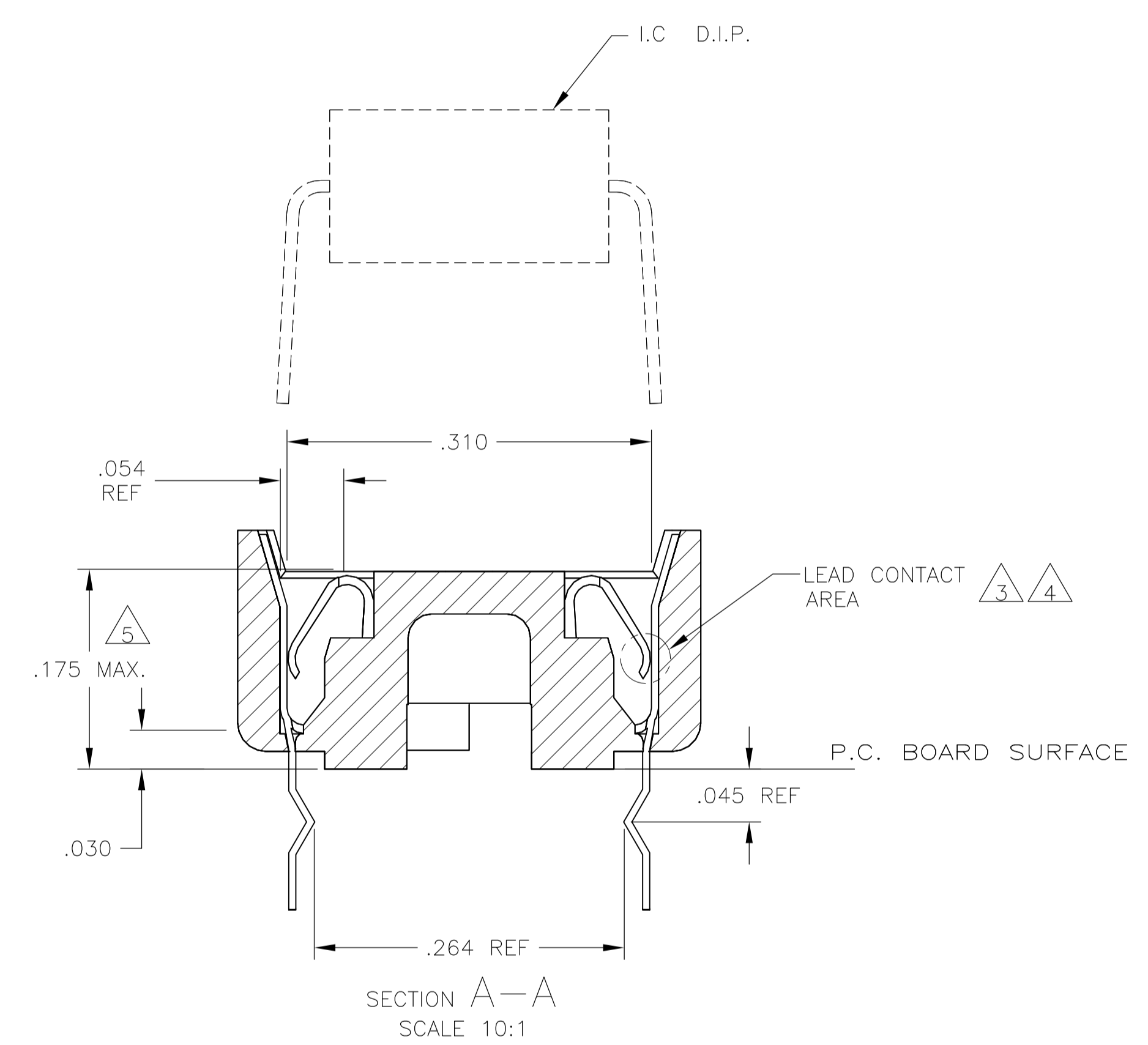
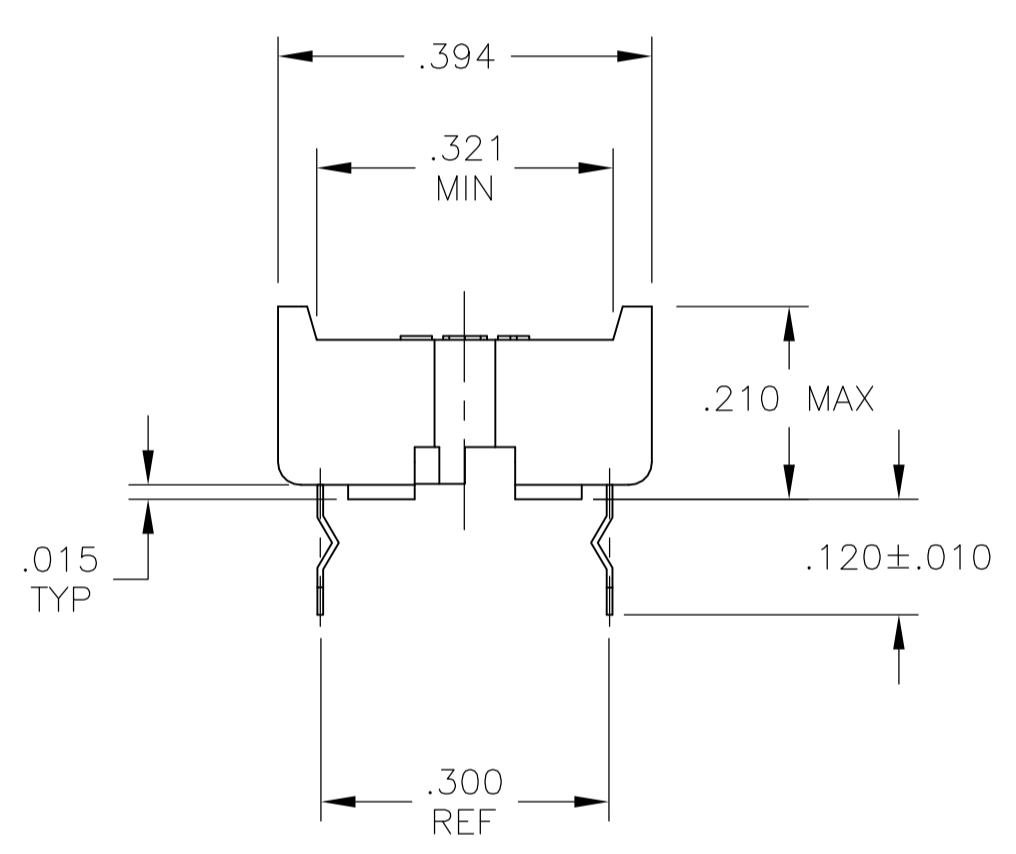
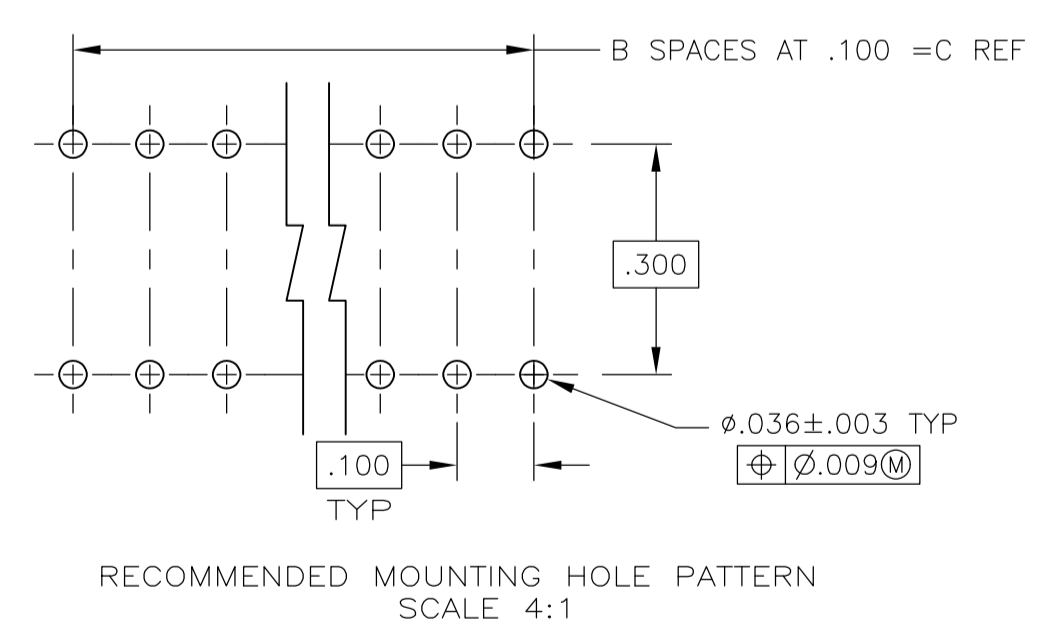
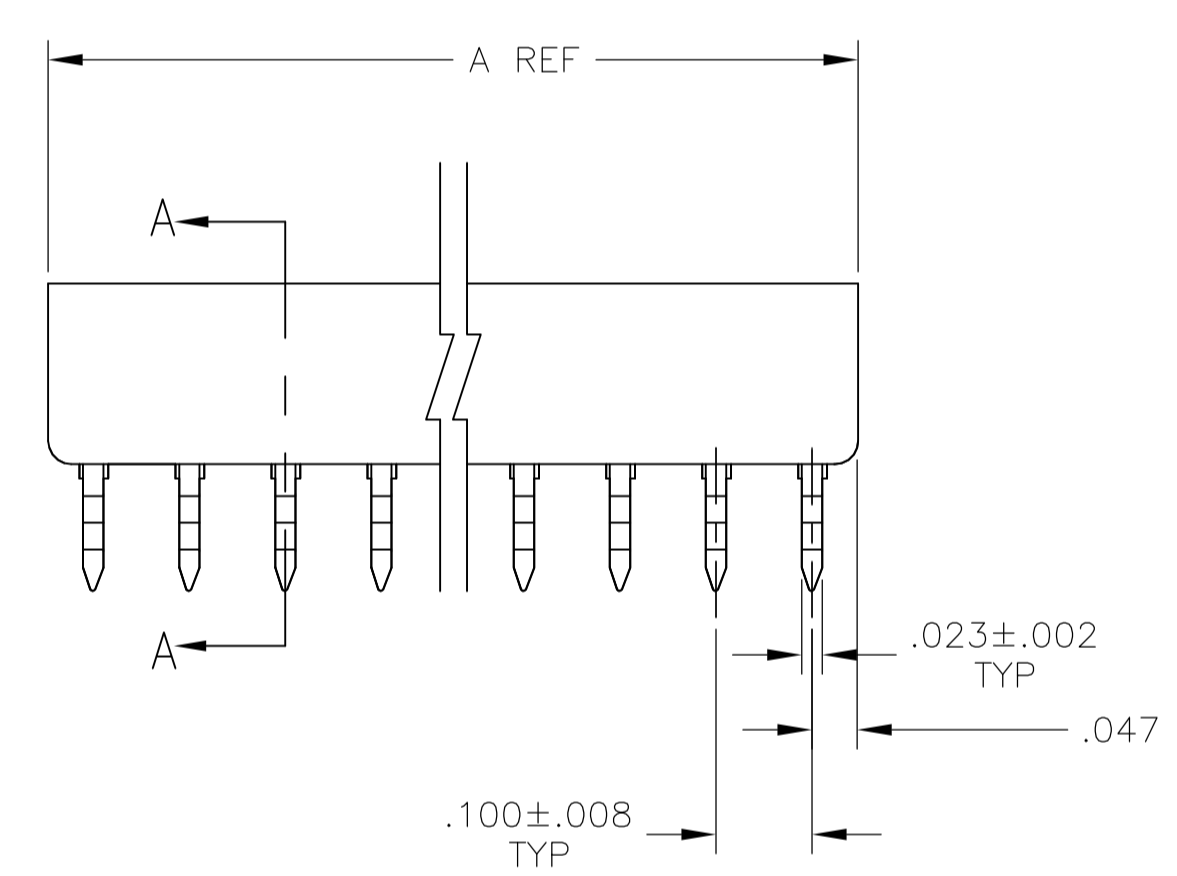
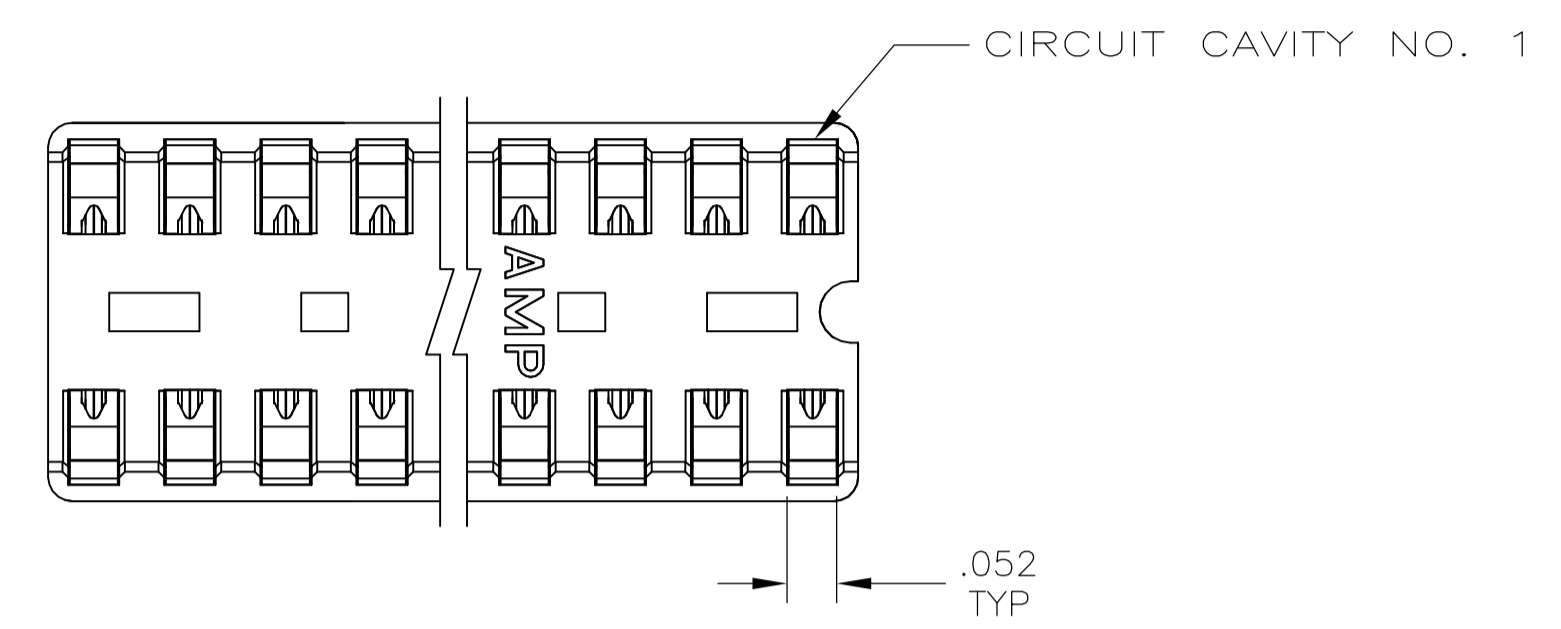


LOC		DIST		REVISIONS			
AD	00	REV	DATE	BY	CHK	APPV	
A		ECO-05-013690	29DEC2005	RB		DR	
A1		REVISED PER ECO-09-024927	07NOV09	KK		AEG	

- RECEPTACLE ACCEPTS A .008-.014 THICK I.C. LEAD.
- TUBE LOADED FOR AUTOMATIC INSERTION.
- BEU CONTACT-PLATED WITH TWO .000030 MIN THK. GOLD STRIPES IN CONTACT AREA WITH TIN ON CONTACT LEGS, BALANCE OF CONTACT NICKEL PLATED.
- PHOS. BRONZE CONTACT- PLATED WITH TWO .000015 MIN THK. GOLD STRIPES IN CONTACT AREA WITH TIN ON CONTACT LEGS, BALANCE OF CONTACT NICKEL PLATED.
- MAXIMUM DIMENSION FOR I.C. SEATING PLANE.
- HOUSING MATERIAL-GLASS FILLED THERMOPLASTIC, BLACK, 94V-0
- OBSOLETE PARTS: OBSOLETE CIS STREAMLINING PER D.RENAUD/D.SINISI



	CONTACT & FINISH	DIM C	B SPCS	DIM A	POSITION	PART NO.
OBSOLETE	3	.900	9	.995	20	1-1825373-6
	3	.800	8	.895	18	1-1825373-5
	3	.700	7	.795	16	1-1825373-4
	3	.600	6	.695	14	1-1825373-3
	3	.300	3	.395	8	1-1825373-2
OBSOLETE	4	.200	2	.295	6	1-1825373-1
	4	.900	9	.995	20	1825373-6
OBSOLETE	4	.800	8	.895	18	1825373-5
	4	.700	7	.795	16	1825373-4
OBSOLETE	4	.600	6	.695	14	1825373-3
	4	.300	3	.395	8	1825373-2
OBSOLETE	4	.200	2	.295	6	1825373-1

THIS DRAWING IS A CONTROLLED DOCUMENT.

DIMENSIONS: INCHES	TOLERANCES UNLESS OTHERWISE SPECIFIED:	DIN R BROWN 29DEC2005	Tyco Electronics Corporation Harrisburg, Pa 17105-3608
0 PLC ± -	1 PLC ± -	CHK D ROHDE 29DEC2005	
2 PLC ± -	3 PLC ± -	APPRO D ROHDE 29DEC2005	NAME
4 PLC ± -	ANGLES ± -		DIP SOCKET ASSY, CLOSED, DIPLOMATE, RETENTIVE LEAD, .300 CL, LEAD FREE
MATERIAL	FINISH	WEIGHT	SIZE CAGE CODE DRAWING NO RESTRICTED TO
			A1 00779 C=1825373
CUSTOMER DRAWING		SCALE 5:1	SHEET 1 OF 1 REV A1