

## Data sheet

### E-DAT Industry IP67 V1 cable coupler + RJ45 field jack insert Cat.6 Class E<sub>A</sub>, T568A

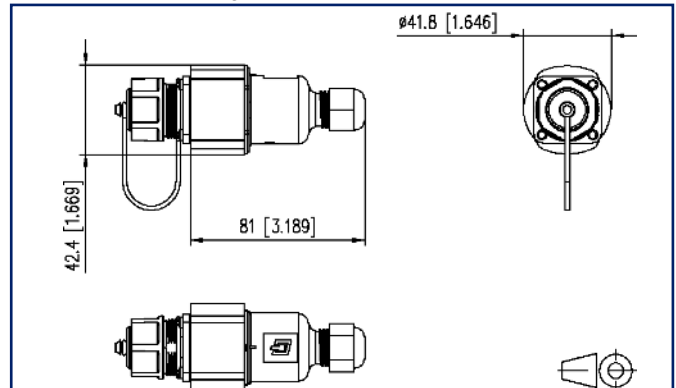
Page 1/6

P/N  
1401115512KE  
EAN 4250184119739  
2023/04/17  
Version: AE

## Illustrations



Dimensional drawing



See enlarged drawings at the end of document

## Product specification

- RJ45 termination unit in flange housing with bayonet lock acc. to ISO/IEC 24702 and IEC 61076-3-106 standards, var. 1
- compliance with class E<sub>A</sub> according to ISO/IEC 11801, DIN EN 50173-1
- suitable for 10 GBit Ethernet (IEEE 802.3an), Remote Powering (PoE, PoE plus, UPoE) and HDBaseT
- IP67 protected housing
- AWG 26/7 - 22/7, AWG 26/1 - 22/1 possible
- increased resistance to vibrations and shocks due to 4 springs on the shield plates
- no special tools required
- can be used as cable coupler
- connection of RJ45 plugs available on the market (no IP protection)
- easy, time-saving mounting



## E-DAT Industry IP67 V1 cable coupler + RJ45 field jack insert Cat.6 Class E<sub>A</sub>, T568A

P/N  
1401115512KE  
EAN 4250184119739  
2023/04/17  
Version: AE

### Technical Data

#### General Data

Fields of application	office areas harsh environment
Mechanical measurement according to MICE	M1
Ingress measurement according to MICE	I1
Climatic measurement according to MICE	C1
Electromagnetic measurement according to MICE	E2
Design	wall outlet
Shielding	shielded
Transmission technology	Copper
Wiring	T568A
Color	black
Color protective housing	black
Dimensions	
Dimension (L x W x H)	81 mm x 41.8 mm x 42.4 mm
Dimension (L x W x H)	3.189 in. x 1.646 in. x 1.669 in.

#### Transmission characteristics

Category (ISO)	6
Class (ISO/IEC)	E <sub>A</sub>
Category (TIA)	6
Remote Powering	yes
PoE	IEEE 802.3af
PoE plus	IEEE 802.3at
UPoE	yes
HDBaseT	yes
Transmission rate up to 10 GBit	IEEE 802.3an

#### Connections/interfaces

Connector technology interface 1	IDC-connection
Connector technology interface 2	RJ45-jack
Number of ports interface 2	1
Number of ports interface 2 equipped	1
Number of positions/contacts interface 1	8

## E-DAT Industry IP67 V1 cable coupler + RJ45 field jack insert Cat.6 Class E<sub>A</sub>, T568A

P/N  
1401115512KE  
EAN 4250184119739  
2023/04/17  
Version: AE

### Technical Data

Connections/interfaces	
Number of positions/contacts interface 2	8P/8C
Protective housing interface 1	V1
Protective housing interface 2	V1
Termination data, solid wire (min. - max.)	
Conductor cross section, solid wire	AWG 26/1 - AWG 22/1
Conductor cross section, solid wire	0.128 mm <sup>2</sup> - 0.324 mm <sup>2</sup>
Conductor diameter, solid wire (bare copper)	0.409 mm - 0.643 mm
Conductor diameter, solid wire (bare copper)	0.016 in. - 0.025 in.
Termination data, stranded wire (min. - max.)	
Conductor cross section, stranded wire	AWG 26/7 - AWG 22/7
Conductor cross section, stranded wire	0.141 mm <sup>2</sup> - 0.355 mm <sup>2</sup>
Conductor diameter, stranded wire (bare copper)	0.483 mm - 0.762 mm
Conductor diameter, stranded wire (bare copper)	0.019 in. - 0.03 in.
Elektrische/ Optische Eigenschaften	
Current carrying capacity	1 A
Contact resistance	max. 20 mOhm
Insulation resistance	min. 500 MOhm
Dielectric strength conductor-conductor (secondary)	min. 1000 V DC
Mechanical data	
Locking method (protective housing)	Bayonet
Insertion and withdrawal force	max. 30 N
Position/mounting of latch standard installation position	top
Materials and material properties	
Material - Housing	GD-Zn (zinc die-cast)
Material - Housing finish	CuSnZn
Material - Protective housing	PA UL94 V0
Material - Contact	Spring steel
Material - Contact finish	Ni + Au (nickel-gold)
Material - Insulation displacement contacts	CuNi2Si
Material - Finish of insulation displacement contacts	Sn (tin)
Material - Shield	Cu-Ni-Zn (nickel silver)

## E-DAT Industry IP67 V1 cable coupler + RJ45 field jack insert Cat.6 Class E<sub>A</sub>, T568A

P/N  
1401115512KE  
EAN 4250184119739  
2023/04/17  
Version: AE

### Technical Data

#### Materials and material properties

Material - Stuffer cap	PC UL94 V0
Material - Insulating body	PC UL94 V0
Material - Protective housing seal	NBR (nitrile butadiene rubber)
Material - Flat seal	NBR (nitrile butadiene rubber)
Material - Thin nut	PA UL94 V0
Material - Protective cap	PA UL94 V0
Material - Elastic band	EPDM (ethylene-propylene-diene)
RoHS	compliant

#### Environmental conditions

Temperature (min. - max.)	
Temperature - Storage °C	-40 °C - 70 °C
Temperature - Storage °F	-40 °F - 158 °F
Temperature - Operating °C	-40 °C - 70 °C
Temperature - Operating °F	-40 °F - 158 °F
Particulate ingress	IP6X
Liquid ingress/immersion	IPX7
Rapid change of temperature	-40°C / -40°F - +70°C / 158°F / 25 cycles t=30 min
Damp heat	+25°C / +77°F / +65°C / +149°F / 93% RH // -10°C / -14°F / 21 cycles
Flowing mixed gas	+25 °C / +77°F / 73% RH / 4 days, H2S / SO2
Vibration	50 m/s <sup>2</sup>
Shock	250 m/s <sup>2</sup>

**General information**  
This product is suitable for use in industrial environments inside buildings with IPxy protection class according to DIN EN 60529 specified in this data sheet. Not specified for outdoor applications.

#### Approvals

UL listed (file no.)



DUXR.E178484

## E-DAT Industry IP67 V1 cable coupler + RJ45 field jack insert Cat.6 Class E<sub>A</sub>, T568A

P/N  
1401115512KE  
EAN 4250184119739  
2023/04/17  
Version: AE

### Technical Data

Standards/Regulations	
Generic cabling systems	
General requirements	ANSI/TIA-568
Industrial area	ISO/IEC 24702   DIN EN 50173-3 ANSI/TIA-1005
UL standard for Communications-Circuit Accessories	UL 1863
Connectors for electronic equipment	
Free and fixed connectors	DIN EN 60603-7-51:2011-01
Degrees of Protection Provided by Enclosures	IEC 60529
Interference proof	
Immunity for industrial environments	DIN EN 61000-6-2:2006-03
Climate tests	IEC 60512-11
Classifications	
ETIM 5.0	EC002597
ETIM 6.0	EC002597
ETIM 7.0	EC002597
ETIM 8.0	EC002597
ETIM 9.0	EC002597
Packing details	
Type of packaging	1 pc(s) / plastic bag
Packaging unit - Weight (gram)	108 g
Packaging unit - Weight (pound)	0.24 lb
Packaging dimension	160 mm x 100 mm x 380 mm
Packaging dimension	6.299 in. x 3.937 in. x 14.961 in.

**P | Cabling**

Data sheet

Page 6/6

**E-DAT Industry IP67 V1 cable coupler  
+ RJ45 field jack insert Cat.6 Class E<sub>A</sub>, T568A**

P/N

140115512KE

EAN 4250184119739

2023/04/17

Version: AE

**Illustrations**

Dimensional drawing

