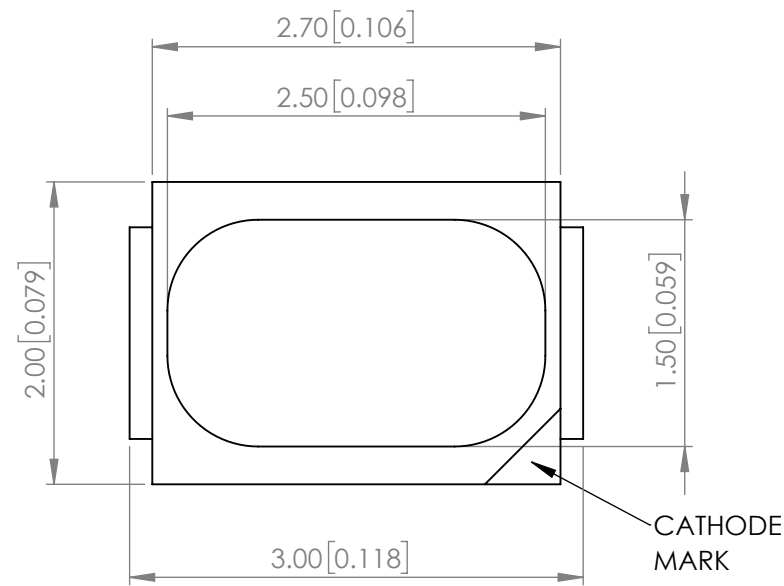
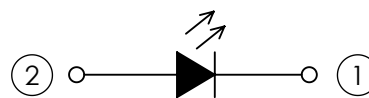


| | | | | |
|--------------------|--|-----------------|------------|-------------|
| PART NUMBER | | SML-LX23UPGC-TR | REV | C |
| REV | E.C.N. NUMBER AND REVISION COMMENTS | | | DATE |
| A | E.C.N. #11603. | | | 12.15.09 |
| B | E.C.N. #10BRDR & REDRAWN. | | | 03.28.11 |
| C | ECN-Lumex201800049 | | | 03.20.18 |

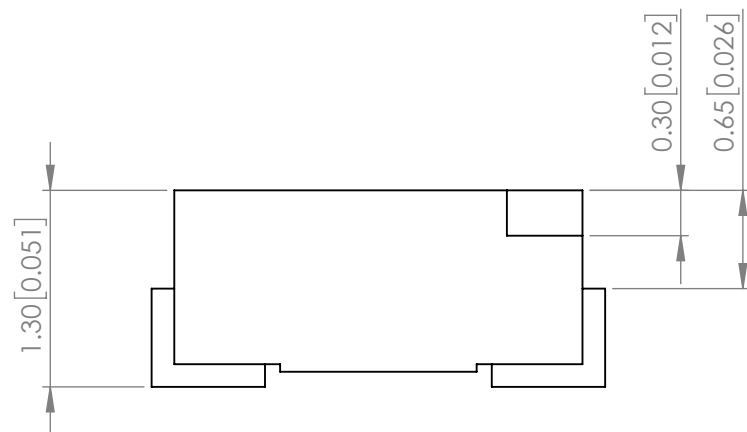


POLARITY

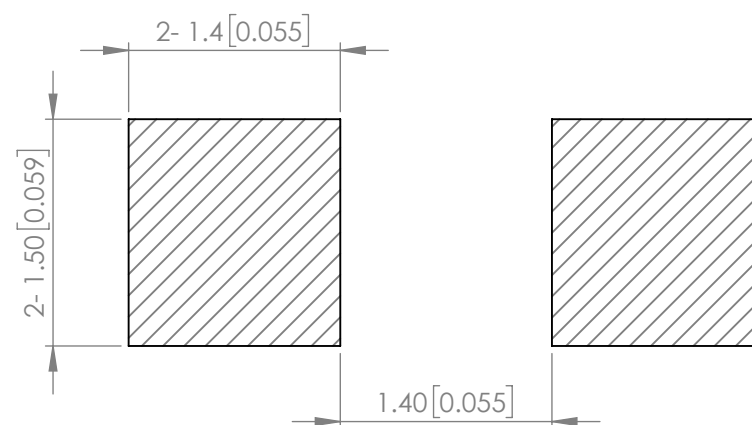
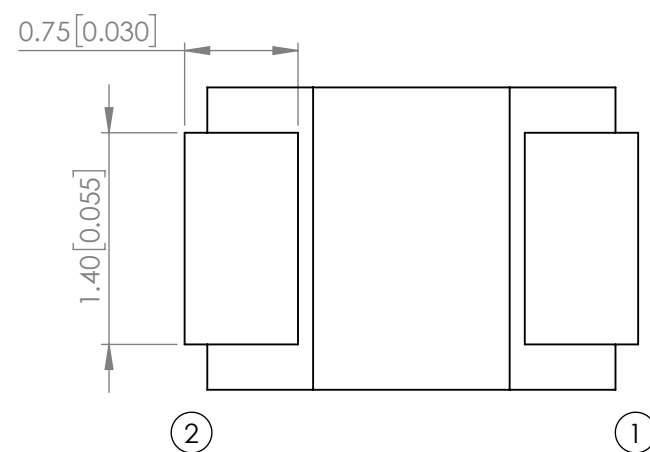


ELECTRO-OPTICAL CHARACTERISTIC TA=25°C

| PARAMETER | MIN | TYP | MAX | UNITS | TEST COND |
|--------------------|-------------|-----|-----|-------------|-----------|
| PEAK WAVELENGTH | - | 515 | - | - | If=20mA |
| FORWARD VOLTAGE | - | 3.3 | 4.0 | Vf | If=20mA |
| REVERSE VOLTAGE | - | - | 50 | uA | VR=5V |
| LUMINOUS INTENSITY | - | 800 | - | mcd | If=20mA |
| VIEWING ANGLE | - | 120 | - | 2x theta1/2 | - |
| EMITTED COLOR | GREEN | | | | |
| EPOXY LENS FINISH | WATER CLEAR | | | | |



RECOMMENDED SOLDER PAD LAYOUT



ABSOLUTE MAXIMUM RATINGS TA=25°C

| PARAMETER | MAX | UNITS |
|-----------------------|------------|-------|
| PEAK FORWARD CURRENT* | 100 | mA |
| FORWARD CURRENT | 25 | mA |
| REVERSE VOLTAGE | 5 | V |
| POWER DISSIPATION | 100 | mW |
| STORAGE TEMPERATURE | -40 TO +85 | °C |
| OPERATING TEMPERATURE | -40 TO +85 | °C |

*t<10us.

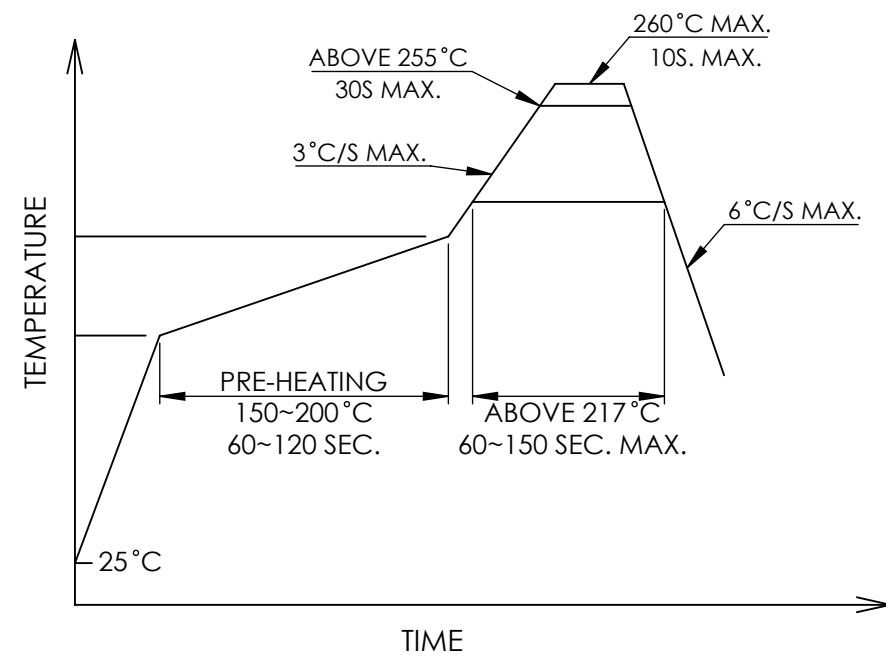
NOTE:

1. RoHS COMPLIANT.
2. PACKAGE : 2000 PCS/REEL.

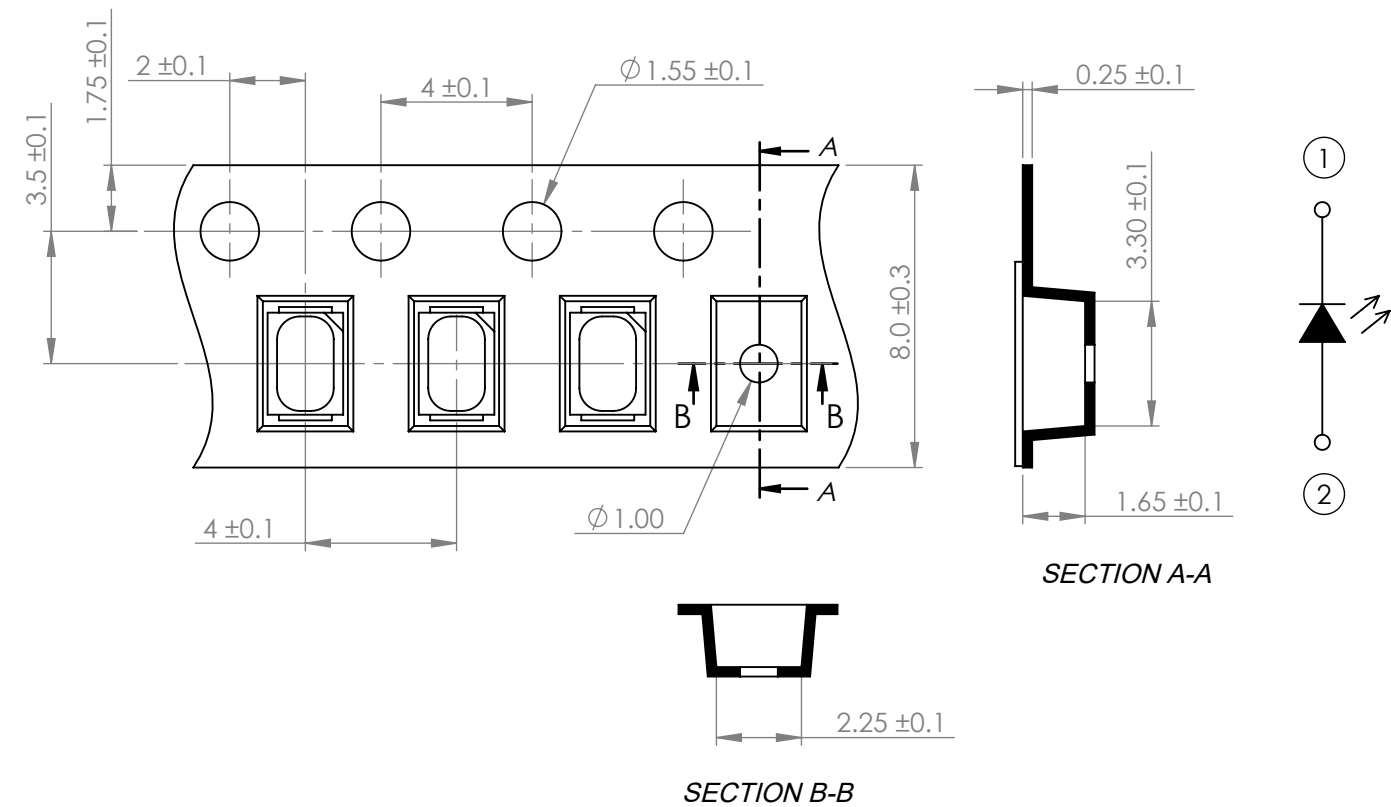
STATIC DEVICE FOLLOW PROPER E.S.D. HANDLING PROCEDURES WHEN WORKING WITH THIS PART

*UNLESS OTHERWISE SPECIFIED TOLERANCES PER DECIMAL PRECISION ARE: X=±1 (±0.039), X.X=±0.5 (±0.020), X.XX=±0.25 (±0.010), X.XXX=±0.127 (±0.005). LEAD SIZE=±0.05 (±0.002), LEAD LENGTH=±0.75 (±0.030). MIN= ^{+DECIMAL PRECISION}/_{-0.00} MAX= ^{+0.00}/_{-DECIMAL PRECISION}

PROFILE



CARRIER TAPE DIMENSION



*UNLESS OTHERWISE SPECIFIED TOLERANCES PER DECIMAL PRECISION ARE: X=±1 (±0.039), X.X=±0.5 (±0.020), X.XX=±0.25 (±0.010), X.XXX=±0.127 (±0.005). LEAD SIZE=±0.05 (±0.002), LEAD LENGTH=±0.75 (±0.030). MIN= ^{+DECIMAL PRECISION} / _{-0.00} MAX= ^{+0.00} / _{-DECIMAL PRECISION}



3(L)*2(W)*1.3(H)mm, SURFACE MOUNT WITH REFLECTOR, InGaN 515nm GERRN, WATER CLEAR LENS, TAPE & REEL

****THE SPECIFICATIONS MAY CHANGE AT ANY TIME WITHOUT NOTICE DUE TO NEW MATERIALS OR PRODUCT IMPROVEMENT.****

CONFIDENTIAL INFORMATION
 THE INFORMATION CONTAINED IN THIS DOCUMENT IS THE PROPERTY OF LUMEX INC. EXCEPT AS SPECIFICALLY AUTHORIZED IN WRITING BY LUMEX INC., THE HOLDER OF THIS DOCUMENT SHALL KEEP ALL INFORMATION CONTAINED HEREIN CONFIDENTIAL AND SHALL PROTECT SAME IN WHOLE OR IN PART FROM DISCLOSURE AND DISSEMINATION TO ALL THIRD PARTIES.

| | |
|-------------------|-----------------|
| DATE : 2018.03.20 | DRAWN BY : C.C. |
| PAGE : 2 OF 2 | CHKD BY : E.C. |
| SCALE : NTF | APRVD BY : G.Y. |
| UNIT : mm [INCH] | Ⓝ |