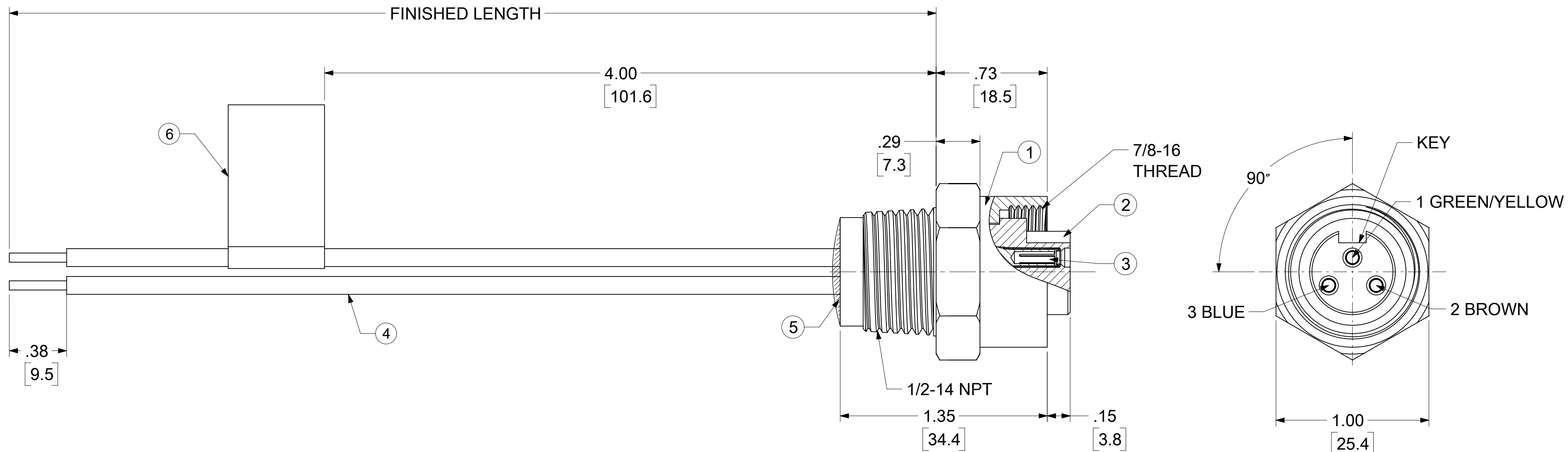


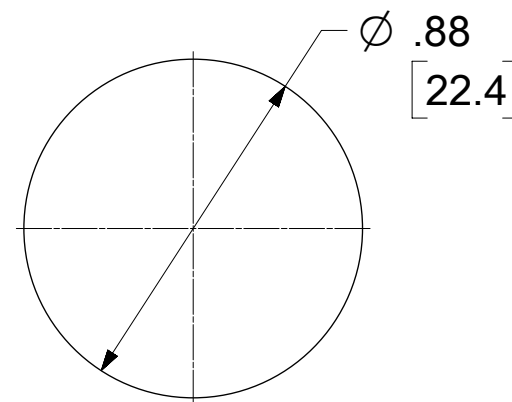
MATERIAL NO.	ENGINEERING NO.	FINISHED LENGTH
1300131186	1R3000A80M005	1 FT 7.7 IN (0.5M)
1300131189	1R3000A80M030	9 FT 10.1 IN (3.0M)
1300131191	1R3000A80M050	16 FT 4.9 IN (5.0M)

TOLERANCE CHART					
FINISH LENGTH [FT]		TOLERANCE [IN]	FINISH LENGTH [M]		TOLERANCE [mm]
OVER	UNDER		OVER	UNDER	
0.00	.167	N/A	0.0	0.05	NA
.167	.500	+ .63 -0	0.05	0.15	+16 -0
.500	1.00	+ .75 -0	0.15	0.3	+19 -0
1.00	3.00	+1.75 -0	0.3	0.9	+44.5 -0
3.00	6.00	+2.19 -0	0.9	1.8	+55.6 -0
6.00	12.00	+3.50 -0	1.8	3.7	+88.8 -0
12.00	24.00	+6.50 -0	3.7	7.3	+165.1 -0
24.00	48.00	+12.50 -0	7.3	21.9	+317.5 -0
48.00	96.00	+24.50 -0	21.9	29.3	+622.3 -0
96.00	~	+2.00% -0	29.3	~	+2% OF FIN LGTH



NOTES:

1. MATERIAL: AS NOTED
2. FINISH: AS NOTED
3. ELECTRICAL:
VOLTAGE: 500V PER IEC60664
600V PER UL2238
CURRENT: 13A
4. TEMP RATING: -20°C TO +105°C
5. PROTECTION: IP67 (WHEN MATED)
6. UL RECOGNIZED FILE: E152210
CSA CERTIFIED FILE: LR6837
7. ALL DIMS ARE FOR REFERENCE UNLESS TOLERANCED OR NOTED OTHERWISE



REF. KNOCKOUT HOLE

PART NO. MATRIX
1R3000A80M005

FINISHED LENGTH
M005 = 0.5 METER
M010 = 1.0 METER
M100 = 10.0 METERS

PRE-RELEASE
REFERENCE
USE ONLY

ITEM	DESCRIPTION	MATERIAL	FINISH
6	FLAG LABEL	VINYL	BLACK/YELLOW
5	POTTING MATERIAL	EPOXY	N/A
4	WIRE #16 (UL 1015)	PVC INSULATION	SEE FACE VIEW
3	CONTACT SOCKET & SLLEVE ASSY.	Cu ALLOY	GOLD PLATED
2	INSERT	TPC	YELLOW
1	RECEPTACLE SHELL	ZINC (DIE-CAST)	NICKEL PLATED

THIS DRAWING CONTAINS INFORMATION THAT IS PROPRIETARY TO MOLEX ELECTRONIC TECHNOLOGIES, LLC AND SHOULD NOT BE USED WITHOUT WRITTEN PERMISSION					
DIMENSION UNITS	SCALE	CURRENT REV DESC: INITIAL RELEASE			
INCH/MM	2:1	<p>MC RECEPT F/FR 3P 3P, FEMALE, STRAIGHT, SINGLE KEY, 16 AWG</p> <p>PRODUCT CUSTOMER DRAWING</p> <p>DOCUMENT NUMBER: 1300131186 DOC TYPE: PSD DOC PART: 000 REVISION: A</p> <p>MATERIAL NUMBER: SEE TABLE CUSTOMER: GENERAL MARKET SHEET NUMBER: 1 OF 1</p>			
GENERAL TOLERANCES (UNLESS SPECIFIED)					
ANGULAR TOL	± °				
4 PLACES	±				
3 PLACES	±				
2 PLACES	±	EC NO: 647635	2020/10/22		
1 PLACE	±	DRWN: CCHRSTKA	2020/10/26		
0 PLACES	±	CHK'D: ALEON01	2020/10/30		
DRAFT WHERE APPLICABLE MUST REMAIN WITHIN DIMENSIONS		APPR: BWOODMAN	2020/10/30		
THIRD ANGLE PROJECTION		INITIAL REVISION:	2020/10/22		
DRAWING: C-SIZE		DRWN: CCHRSTKA	2020/10/22		
SERIES: 130013		APPR: BWOODMAN	2020/10/30		