

丸形

Round Type

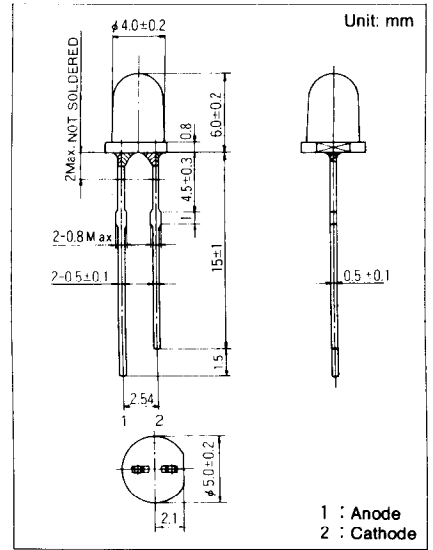
φ 4.0mm Series

Type No.	Lighting Color
LN49YPP	Amber
LN49YCPP	Amber
LN89RPP	Orange
LN89RCPP	Orange

絶対最大定格 Absolute Maximum Ratings (Ta=25 °C)

Lighting Color	P _D (mW)	I _F (mA)	I _{FP} (mA)*	V _R (V)	Topr (°C)	Tstg (°C)
Amber	90	30	150	4	-25~+85	-30~+100
Orange	90	30	150	3	-25~+85	-30~+100

* I_{FP}の条件は、duty 10%, Pulse width 1 msec The condition of I_{FP} is duty 10% Pulse width 1 msec



電気的光学的特性 Electro-Optical Characteristics (Ta=25 °C)

Type No.	Lighting Color	Lens Color	I _O			V _F		λ _P	Δλ	I _F	I _R	
			Typ.	Min.	I _F	Typ.	Max.	Typ.	Typ.		Max.	V _R
LN49YPP	Amber	Amber Diffused	10.0	3.5	20	2.2	2.8	590	30	20	10	4
LN49YCPP	Amber	Amber Clear	15.0	6.0	20	2.2	2.8	590	30	20	10	4
LN89RPP	Orange	Red Diffused	10.0	3.5	20	2.1	2.8	630	40	20	10	3
LN89RCPP	Orange	Red Clear	30.0	10.0	20	2.1	2.8	630	40	20	10	3
Unit			mcd	mcd	mA	V	V	nm	nm	mA	μA	V

